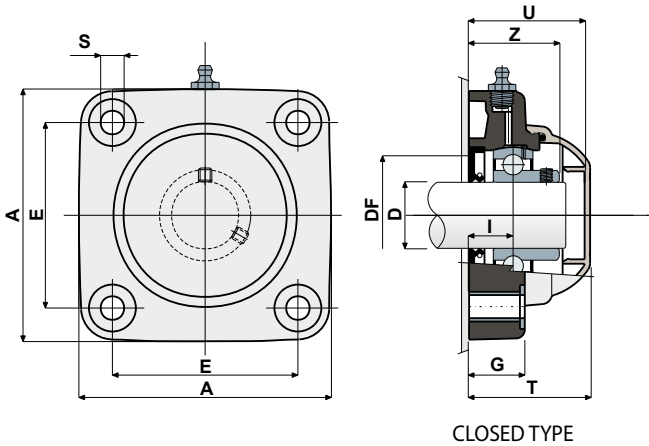
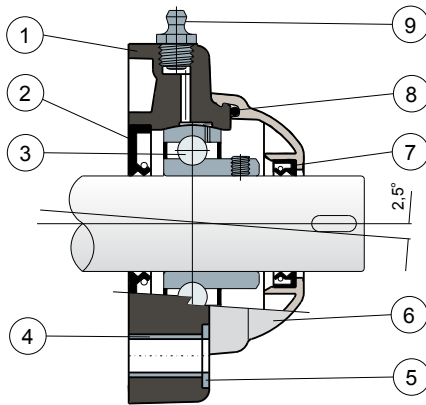


Square flanged bearing supports Type: SF/C (SX/C) and MSF/C (MSX/C)



CLOSED TYPE



OPEN TYPE

- 1) Support body made out of polyamide reinforced with glass fibers.
- 2) Back gasket made out of NBR rubber for turning shaft seal.
- 3) Chrome steel or stainless steel bearing AISI 440C.
- 4) Spacer for fixing reinforcement made out of stainless steel AISI 304.
- 5) UNI 6592 support washer made out of stainless steel AISI 304.
- 6) Protection cover made out of polypropylene (grey colour Ral 7042).
- 7) Front gasket made out of NBR rubber for turning shaft seal.
- 8) OR gasket made out of NBR rubber
- 9) Greaser for relubrication made out of nickel-plated brass.

Support dimensions respect ISO 3228 set of rules

Maximum shaft alignment error 2,5°

For further information please contact our technical office or sales department.

CHROME STEEL BEARING																		
D	CLOSED Type	OPEN Type	CODES		DIMENSIONS (mm)								Bearing load (N)		Support load (N)			
			Closed Code	Open Code	E	A	S	G	I	Z	U	T	DF			C	C0	
20	SF/C 204	SF/C 204 A	CP000544	CP000551	63,5	90	10,5	19	15,5	33,5	44	46,5	45	40	12800	6600	16500	
25	SF/C 205	SF/C 205 A	CP000545	CP000552	70	99	10,5	22	17	36	47	49	50	45	14000	7800	17000	
30	SF/C 206	SF/C 206 A	CP000546	CP000553	83	113	10,5	26	20	41	54	56	60	50	19500	11300	17500	
35	SF/C 207	SF/C 207A	CP000547	CP000554	92	122	10,5	26	20	45	57	59	70	55	25500	15300	18000	
35	MSF/C 207	MSF/C 207A	CP000548	CP000555	83	113	10,5	26	19,5	45	65	68	70	55	16600	15300	18000	
40	SF/C 208	SF/C 208 A	CP000549	CP000556	102	133	10,5	26	19,5	48,5	65	68	78	65	32500	19800	18000	
40	MSF/C 208	MSF/C 208A	CP000550	CP000557	83	113	10,5	26	19,5	48,5	65	68	78	65	32500	19800	18000	

STAINLESS STEEL BEARING AISI 440C																		
D	CLOSED Type	OPEN Type	CODES		DIMENSIONS (mm)								Bearing load (N)		Support load (N)			
			Closed Code	Open Code	E	A	S	G	I	Z	U	T	DF			C	C0	
20	SX/C 204	SX/C 204 A	CP000558	CP000565	63,5	90	10,5	19	15,5	33,5	44	46,5	45	40	8300	6550	16500	
25	SX/C 205	SX/C 205 A	CP000559	CP000566	70	99	10,5	22	17	36	47	49	50	45	9150	7800	17000	
30	SX/C 206	SX/C 206 A	CP000560	CP000567	83	113	10,5	26	20	41	54	56	60	50	12500	11200	17500	
35	SX/C 207	SX/C 207 A	CP000561	CP000568	92	122	10,5	26	20	45	57	59	70	55	16600	15300	18000	
35	MSX/C 207	MSX/C 206A	CP000562	CP000569	83	113	10,5	26	19,5	45	65	68	70	55	16600	15300	18000	
40	SX/C 208	SX/C 208 A	CP000563	CP000570	102	133	10,5	26	19,5	48,5	65	68	78	65	20000	19000	18000	
40	MSX/C 208	MSX/C 208A	CP000564	CP000571	83	113	10,5	26	19,5	48,5	65	68	78	65	20000	19000	18000	

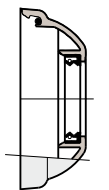
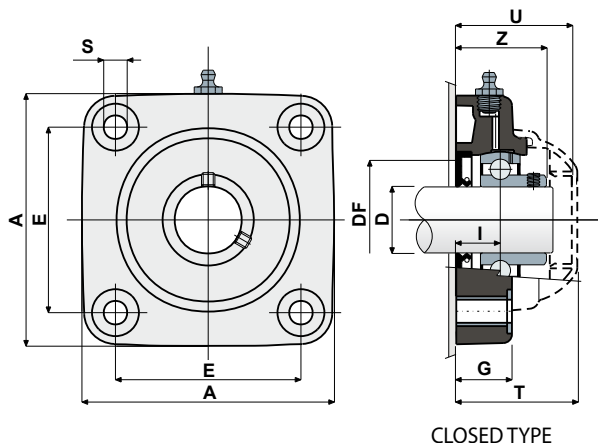
MATERIALS: Support made of PA + glass fiber black colour; chrome steel or stainless steel bearing; greaser made of nickel plated brass; reinforcement bushings and washers made of stainless steel AISI 304; gaskets made of NBR rubber; cover made of polypropylene, grey colour RAL 7042.

FEATURES: Full protection of bearing against external agents. Assembly with not shouldered shafts. Maximum shaft alignment error 2.5°.

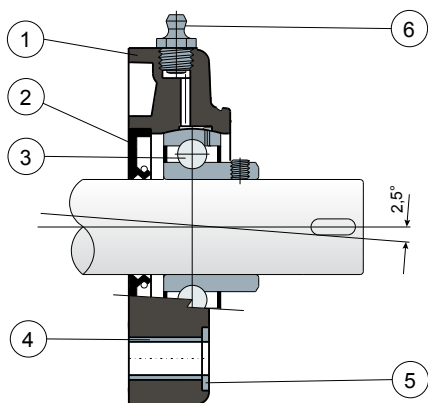
BOX QUANTITY: 8 pieces.

ON REQUEST: Antibacterial executions and versions with polypropylene + glass fiber support; protection cover in different colours and with personalized brand; box quantity according to your request.

Square flanged bearing support Type: SF/CX (SX/CX) and MSF/CX (MSX/CX)



OPEN TYPE



Without cover

- 1) Support body made out of polyamide reinforced with glass fibers.
- 2) Back gasket made out of NBR rubber for turning shaft seal.
- 3) Chrome steel or stainless steel bearing AISI 440C.
- 4) Spacer for fixing reinforcement made out of stainless steel AISI 304.
- 5) UNI 6592 support washer made out of stainless steel AISI 304.
- 6) Greaser for relubrication made out of nickel-plated brass.

NOTE: The only difference from SF/C (SX/C), MSF/C (MSX/C) series is lack of protection cover, which can be ordered separately as an accessory.

Support dimensions respect ISO 3228 set of rules.

Maximum shaft alignment error 2,5°

For further information please contact our technical office or sales department.

CHROME STEEL BEARING																			
D	Type	Support CODES	DIMENSIONS (mm)										Bearing load (N)		Support load	CLOSED Cover	OPEN Cover	COVER CODES	
			E	A	S	G	I	Z	U	T	DF		C	C0	(N)			Closed Code	Open Code
											Max	Min							
20	SF/CX 204	CP000572	63,5	90	10,5	19	15,5	33,5	44	46,5	45	40	12800	6600	16500	CF 204	CF 204 A	CP002004	CP002014
25	SF/CX 205	CP000573	70	99	10,5	22	17	36	47	49	50	45	14000	7800	17000	CF 205	CF 205 A	CP002005	CP002015
30	SF/CX 206	CP000574	83	113	10,5	26	20	41	54	56	60	50	19500	11300	17500	CF 206	CF 206 A	CP002006	CP002016
35	SF/CX 207	CP000575	92	122	10,5	26	20	45	57	59	70	55	25500	15300	18000	CF 207	CF 207 A	CP002007	CP002017
35	MSF/CX 207	CP000576	83	113	10,5	26	19,5	45	65	68	70	55	25500	15300	18000	CF 207	CF 207 A	CP002007	CP002017
40	SF/CX 208	CP000577	102	133	10,5	26	19,5	48,5	65	68	78	65	32500	19800	18000	CF 208	CF 208 A	CP002008	CP002018
40	MSF/CX 208	CP000578	83	113	10,5	26	19,5	48,5	65	68	78	65	32500	19800	18000	CF 208	CF 208 A	CP002008	CP002018

STAINLESS STEEL BEARING AISI 440C																			
D	Type	Support CODES	DIMENSIONS (mm)										Bearing load (N)		Support load	CLOSED Cover	OPEN Cover	COVER CODES	
			E	A	S	G	I	Z	U	T	DF		C	C0	(N)			Closed Code	Open Code
											Max	Min							
20	SX/CX 204	CP000579	63,5	90	10,5	19	15,5	33,5	44	46,5	45	40	8300	6550	16500	CF 204	CF 204 A	CP002004	CP002014
25	SX/CX 205	CP000580	70	99	10,5	22	17	36	47	49	50	45	9150	7800	17000	CF 205	CF 205 A	CP002005	CP002015
30	SX/CX 206	CP000581	83	113	10,5	26	20	41	54	56	60	50	12500	11200	17500	CF 206	CF 206 A	CP002006	CP002016
35	SX/CX 207	CP000582	92	122	10,5	26	20	45	57	59	70	55	16600	15300	18000	CF 207	CF 207 A	CP002007	CP002017
35	MSX/CX 207	CP000583	83	113	10,5	26	19,5	45	65	68	70	55	16600	15300	18000	CF 207	CF 207 A	CP002007	CP002017
40	SX/CX 208	CP000584	102	133	10,5	26	19,5	48,5	65	68	78	65	20000	19000	18000	CF 208	CF 208 A	CP002008	CP002018
40	MSX/CX 208	CP000585	83	113	10,5	26	19,5	48,5	65	68	78	65	20000	19000	18000	CF 208	CF 208 A	CP002008	CP002018

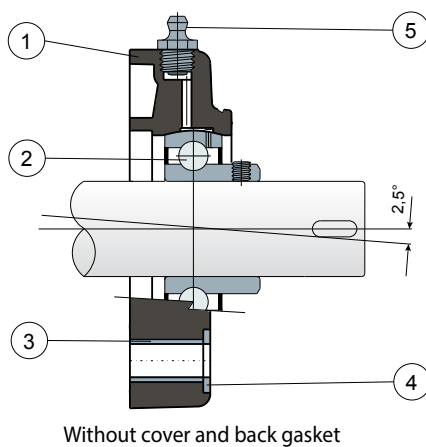
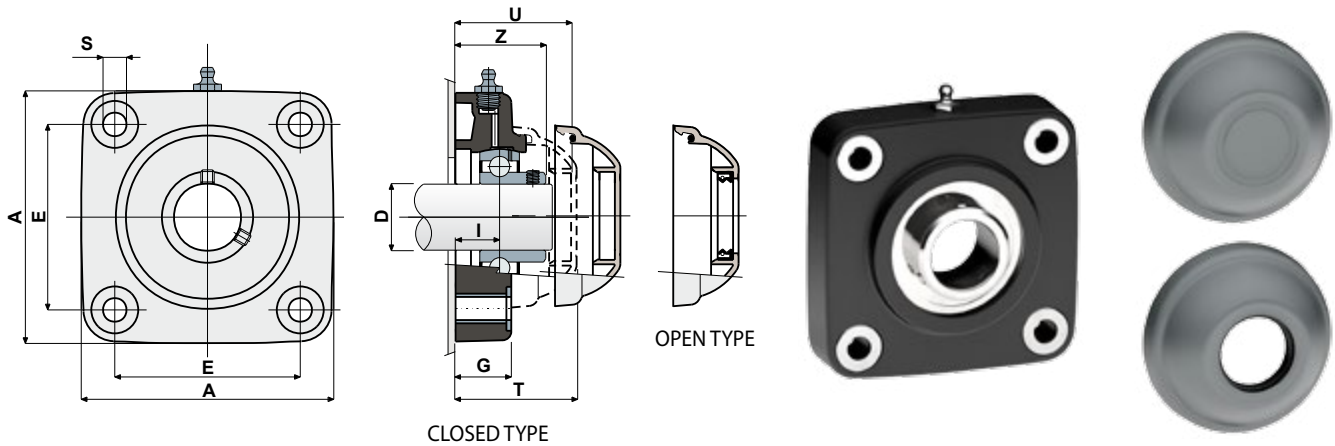
MATERIALS: Support made out of PA + glass fiber black colour; chrome steel or stainless steel bearing; greaser made out of nickel plated brass; reinforcement bushings and washers made out of stainless steel AISI 304; gaskets made out of NBR rubber; cover made out of polypropylene, grey colour RAL 7042.

FEATURES: The difference from SF/C (SX/C), MSF/C (MSX/C) series is lack of protection cover which can be ordered separately as an accessory. Assembly with not shouldered shafts. Maximum shaft alignment error 2.5°.

BOX QUANTITY: 8 pieces.

ON REQUEST: Antibacterial executions and versions with polypropylene + glass fiber support; protection cover in different colours and with personalized brand; box quantity according to your request..

Square flanged bearing support Type: SF (SX) et MSF (MSX)



- 1) Support body made out of polyamide reinforced with glass fibers.
- 2) Chrome steel or stainless steel bearing AISI 440C.
- 3) Spacer for fixing reinforcement made out of stainless steel AISI 304.
- 4) UNI 6592 support washer made out of stainless steel AISI 304.
- 5) Greaser for relubrication made out of nickel-plated brass.

NOTE: The only difference from SF/C (SX/C), MSF/C (MSX/C) series is lack of back gasket and protection cover, which can be ordered separately as accessories.

Support dimensions respect ISO 3228 set of rules.
Maximum shaft alignment error 2,5°
For further information please contact our technical office or sales department.

CHROME STEEL BEARING																	
D	Type	Support CODES	DIMENSIONS (mm)								Bearing load (N)		Support load	CLOSED Cover	OPEN Cover	COVER CODES	
			E	A	S	G	I	Z	U	T	C	C0	(N)			Closed Code	Open Codet
20	SF 204	CP000588	63,5	90	10,5	19	15,5	33,5	44	46,5	12800	6600	16500	CF 204	CF 204 A	CP002004	CP002014
25	SF 205	CP000587	70	99	10,5	22	17	36	47	49	14000	7800	17000	CF 205	CF 205 A	CP002005	CP002015
30	SF 206	CP000588	83	113	10,5	26	20	41	54	56	19500	11300	17500	CF 206	CF 206 A	CP002006	CP002016
35	SF 207	CP000589	92	122	10,5	26	20	45	57	59	25500	15300	18000	CF 207	CF 207 A	CP002007	CP002017
35	MSF 207	CP000590	83	113	10,5	26	19,5	45	65	68	25500	15300	18000	CF 207	CF 207 A	CP002007	CP002017
40	SF 208	CP000591	102	133	10,5	26	19,5	48,5	65	68	32500	19800	18000	CF 208	CF 208 A	CP002008	CP002018
40	MSF 208	CP000592	83	113	10,5	26	19,5	48,5	65	68	32500	19800	18000	CF 208	CF 208 A	CP002008	CP002018

STAINLESS STEEL BEARING AISI 440C																	
D	Type	Support CODES	DIMENSIONS (mm)								Bearing load (N)		Support load	CLOSED Cover	OPEN Cover	COVER CODES	
			E	A	S	G	I	Z	U	T	C	C0	(N)			Closed Code	Open Codet
20	SX 204	CP000593	63,5	90	10,5	19	15,5	33,5	44	46,5	8300	6550	16500	CF 204	CF 204 A	CP002004	CP002014
25	SX 205	CP000594	70	99	10,5	22	17	36	47	49	9150	7800	17000	CF 205	CF 205 A	CP002005	CP002015
30	SX 206	CP000595	83	113	10,5	26	20	41	54	56	12500	11200	17500	CF 206	CF 206 A	CP002006	CP002016
35	SX 207	CP000596	92	122	10,5	26	20	45	57	59	16600	15300	18000	CF 207	CF 207 A	CP002007	CP002017
35	MSX 207	CP000597	83	113	10,5	26	19,5	45	65	68	16600	15300	18000	CF 207	CF 207 A	CP002007	CP002017
40	SX 208	CP000598	102	133	10,5	26	19,5	48,5	65	68	20000	19000	18000	CF 208	CF 208 A	CP002008	CP002018
40	MSX 208	CP000599	83	113	10,5	26	19,5	48,5	65	68	20000	19000	18000	CF 208	CF 208 A	CP002008	CP002018

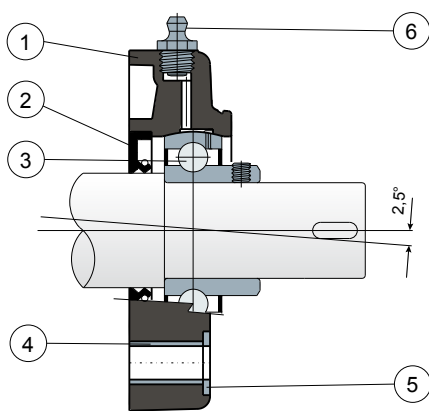
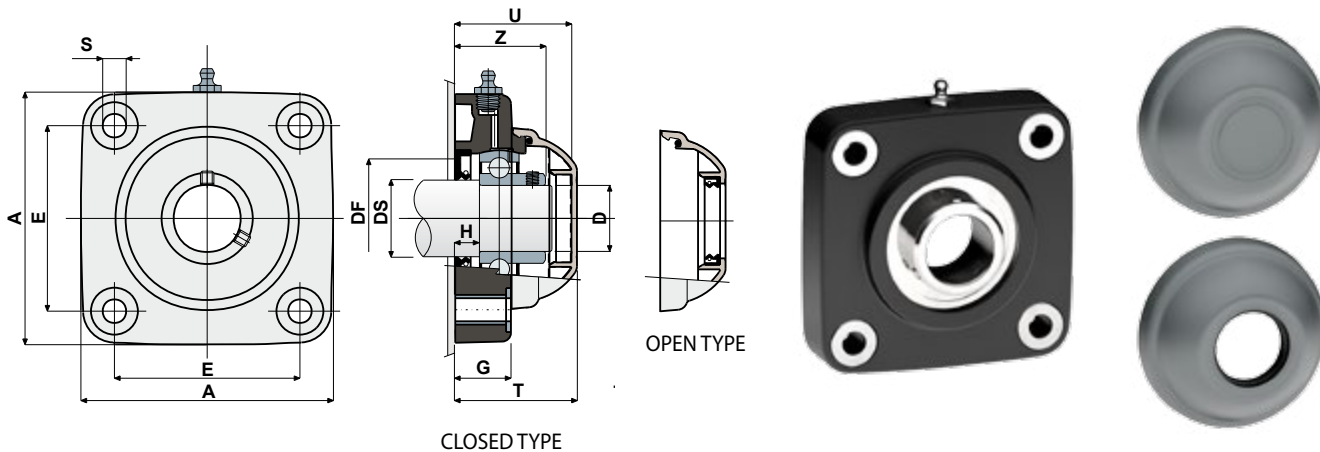
MATERIALS: Support made out of PA + glass fiber black colour; chrome steel or stainless steel bearing; greaser made out of nickel plated brass; reinforcement bushings and washers made out of stainless steel AISI 304; gaskets made out of NBR rubber; cover made out of polypropylene, grey colour RAL 7042.

FEATURES: The difference from SF/C (SX/C), MSF/C (MSX/C) series is lack of back gasket and protection cover, which can be ordered separately as accessories. Assembly with shouldered and not shouldered shafts. Maximum shaft alignment error 2.5°.

BOX QUANTITY: 8 pieces.

ON REQUEST: Antibacterial executions and versions with polypropylene + glass fiber support; protection cover in different colours and with personalized brand; box quantity according to your request..couleur différente et avec logo personnalisé; conditionnement hors standard.

Square flanged bearing supports Type: SF/CS et MSF/CS



Back gasket for shouldered shaft

- 1) Support body made out of polyamide reinforced with glass fibers.
- 2) Back gasket made out of NBR rubber for turning shaft seal.
- 3) Chrome steel or stainless steel bearing AISI 440C.
- 4) Spacer for fixing reinforcement made out of stainless steel AISI 304.
- 5) UNI 6592 support washer made out of stainless steel AISI 304.
- 6) Greaser for relubrication made out of nickel-plated brass.

Support dimensions respect ISO 3228 set of rules.

Maximum shaft alignment error 2,5°

For further information please contact our technical office or sales department.

CHROME STEEL BEARING																				
DS	D	Type	CODES Support	DIMENSIONS (mm)										Bearing load (N)		Support load (N)	CLOSED Cover	OPEN Cover	COVER CODES	
				E	A	S	G	H	Z	U	T	DF Max	DF Min	C	C0				Closed Code	Open Code
25	20	SF/CS 204	CP000600	63,5	90	10,5	19	8,5	33,5	44	46,5	45	40	12800	6600	16500	CF 204	CF 204 A	CP002004	CP002014
30	25	SF/CS 205	CP000601	70	99	10,5	22	10	36	47	49	50	45	14000	7800	17000	CF 205	CF 205 A	CP002005	CP002015
35	30	SF/CS 206	CP000602	83	113	10,5	26	11,5	41	54	56	60	50	19500	11300	17500	CF 206	CF 206 A	CP002006	CP002016
40	35	SF/CS 207	CP000603	92	122	10,5	26	10,5	45	57	59	70	55	25500	15300	18000	CF 207	CF 207 A	CP002007	CP002017
45	40	SF/CS 208	CP000604	102	133	10,5	26	9	48,5	65	68	78	65	32500	19800	18000	CF 208	CF 208 A	CP002008	CP002018
45	40	MSF/CS 208	CP000605	83	113	10,5	26	9	48,5	65	68	78	65	32500	19800	18000	CF 208	CF 208 A	CP002008	CP002018

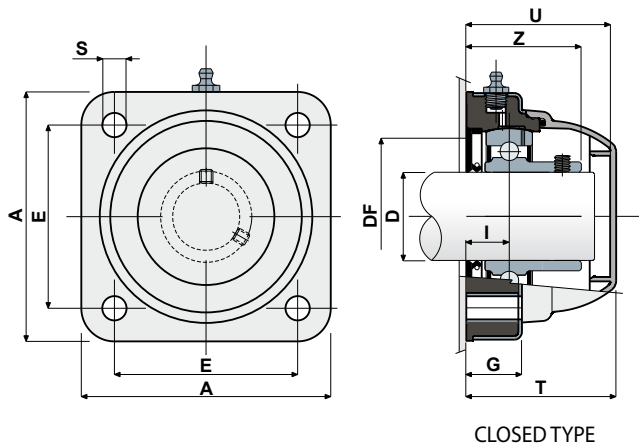
MATERIALS: Support made out of PA + glass fiber black colour; chrome steel bearing; greaser made out of nickel plated brass; reinforcement bushings and washers made out of stainless steel AISI 304; gaskets made out of NBR rubber; cover made out of polypropylene, grey colour RAL 7042.

FEATURES: Back gasket for shouldered shafts. Use of shouldered shafts allows a higher capability of axial load. Maximum shaft alignment error 2.5°.

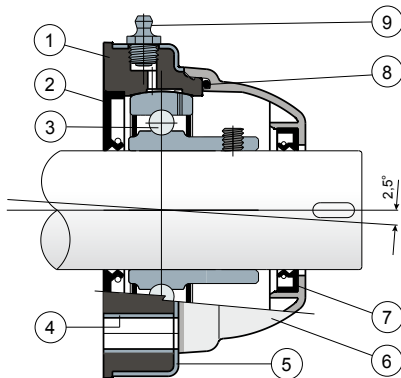
BOX QUANTITY: 8 pieces.

ON REQUEST: Antibacterial executions and versions with polypropylene + glass fiber support; protection cover in different colours and with personalized brand; bearing made out of AISI 440C stainless steel; box quantity according to your request.

Square flanged bearing supports Type: SF/CA (SX/CA)



CLOSED TYPE



External cover made out of stainless steel AISI 304

OPEN TYPE

- 1) Internal body of support made out of polypropylene reinforced with glass fibers.
- 2) Back gasket made out of NBR rubber for turning shaft seal.
- 3) Chrome steel or stainless steel bearing AISI 440C.
- 4) Spacer for fixing reinforcement made out of stainless steel AISI 304.
- 5) External cover of support made out of AISI 304 stainless steel.
- 6) Protection cover made out of polypropylene (grey colour Ral 7042).
- 7) Front gasket made out of NBR rubber for turning shaft seal.
- 8) OR gasket made out of NBR rubber
- 9) Greaser for relubrication made out of nickel-plated brass.

Maximum shaft alignment error 2,5°

For further information please contact our technical office or sales department.

CHROME STEEL BEARING																	
D	CLOSED Type	OPEN Type	CODES		DIMENSIONS (mm)								Bearing load (N)		Support load (N)		
			Closed Code	Open Code	E	A	S	G	I	Z	U	T	DF			C	C0
30	SF/CA 206	SF/CA 206A	CP000606	CP000609	83	113	11	27	20	41	65	68	60	50	19500	11300	17500
35	SF/CA 207	SF/CA 207A	CP000607	CP000610	83	113	11	27	19,5	45	65	68	70	55	25500	15300	18000
40	SF/CA 208	SF/CA 208A	CP000608	CP000611	83	113	11	27	19,5	48,5	65	68	78	65	32500	19800	18000

STAINLESS STEEL BEARING AISI 440C																	
D	CLOSED Type	OPEN Type	CODES		DIMENSIONS (mm)								Charge roulement (N)		Charge support (N)		
			Closed Code	Open Code	E	A	S	G	I	Z	U	T	DF			C	C0
30	SX/CA 206	SX/CA 206A	CP000612	CP000615	83	113	11	27	20	41	65	68	60	50	12500	11200	17500
35	SX/CA 207	SX/CA 207A	CP000613	CP000616	83	113	11	27	19,5	45	65	68	70	55	16600	15300	18000
40	SX/CA 208	SX/CA 208A	CP000614	CP000617	83	113	11	27	19,5	48,5	65	68	78	65	20000	19000	18000

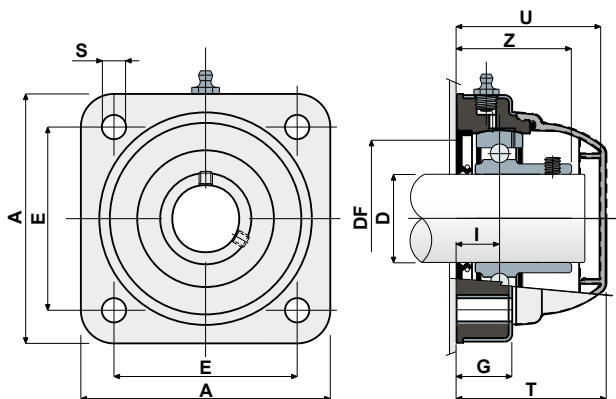
MATERIALS: Support made out of PP + glass fiber; external cover of support made out of AISI 304 stainless steel; chrome steel or stainless steel bearing; greaser made out of nickel plated brass; reinforcement bushings made out of AISI 304 stainless steel; gaskets made out of NBR rubber; protection cover made out of polypropylene grey colour RAL 7042.

FEATURES: Full protection of bearing against external agents. Support body made out of polypropylene covered by an AISI 304 stainless steel later, to obtain the maximum chemical resistance to antibacterial detergents used in food processing field. More over this part is moulded without internal cavities in order to obtain the best sanitation. Assembly with not shouldered shaft. Maximum shaft alignment error 2.5°.

BOX QUANTITY: 8 pieces.

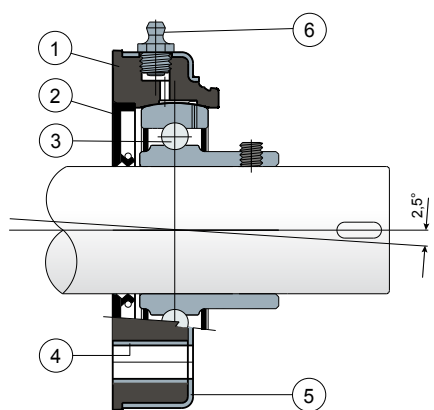
ON REQUEST: Protection cover in different colours and with personalized brand; box quantity according to your request.

Square flanged bearing supports Type: SF/CXA (SX/CXA)



CLOSED TYPE

OPEN TYPE



External cover made out of stainless steel AISI 304, without protection cover.

- 1) Internal body of support made out of polypropylene reinforced with glass fibers.
- 2) Back gasket made out of NBR rubber for turning shaft seal.
- 3) Chrome steel or stainless steel bearing AISI 440C.
- 4) Spacer for fixing reinforcement made out of stainless steel AISI 304.
- 5) External cover of support made out of AISI 304 stainless steel.
- 6) Greaser for relubrication made out of nickel-plated brass.

NOTE: The only difference from SF/CA (SX/CA) series is lack of protection cover, which can be ordered separately as an accessory.

Maximum shaft alignment error 2,5°

For further information please contact our technical office or sales department.

CHROME STEEL BEARING																		
D	Type	Support CODES	DIMENSIONS (mm)								Bearing load (N)		Support load (N)	CLOSED Cover	OPEN Cover	COVER CODES		
			E	A	S	G	I	Z	U	T	C	C0				Closed Code	Open Code	
30	SF/CXA 206	CP000618	83	113	11	27	20	41	65	68	60	50	19500	11300	17500	CF 206 A		CP002016
35	SF/CXA 207	CP000619	83	113	11	27	19,5	45	65	68	70	55	25500	15300	18000	CF 207	CF 207 A	CP002007 CP002017
40	SF/CXA 208	CP000620	83	113	11	27	19,5	48,5	65	68	78	65	32500	19800	18000	CF 208 A		CP002018

STAINLESS STEEL BEARING AISI 440C																		
D	Type	Support CODES	DIMENSIONS (mm)								Bearing load (N)		Support load (N)	CLOSED Cover	OPEN Cover	COVER CODES		
			E	A	S	G	I	Z	U	T	C	C0				Closed Code	Open Code	
30	SX/CXA 206	CP000621	83	113	11	27	20	41	65	68	60	50	12500	11200	17500	CF 206 A		CP002016
35	SX/CXA 207	CP000622	83	113	11	27	19,5	45	65	68	70	55	16600	15300	18000	CF 207	CF 207 A	CP002007 CP002017
40	SX/CXA 208	CP000623	83	113	11	27	19,5	48,5	65	68	78	65	20000	19000	18000	CF 208 A		CP002018

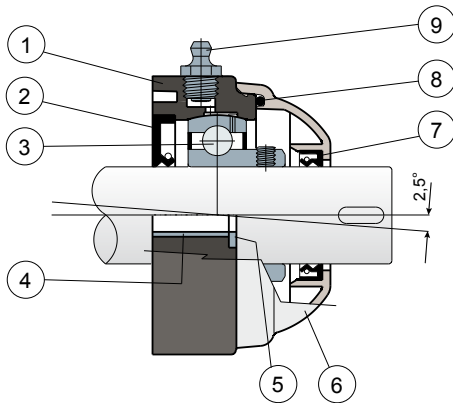
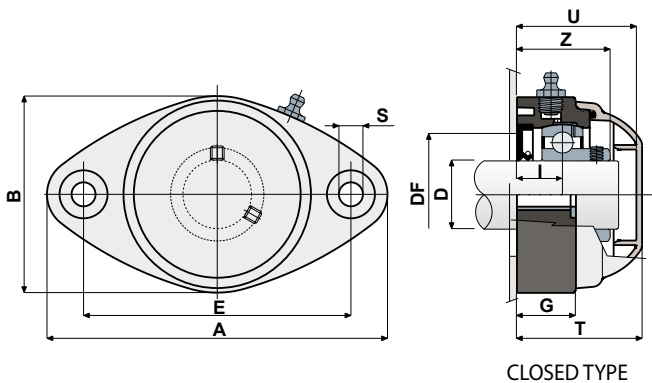
MATERIALS: Support made out of PP + glass fiber; external cover of support made out of AISI 304 stainless steel; chrome steel or stainless steel bearing; greaser made out of nickel plated brass; reinforcement bushings made out of AISI 304 stainless steel; gaskets made out of NBR rubber; protection cover made out of polypropylene grey colour RAL 7042.

FEATURES: The only difference from SF/CA (SX/CA) series is lack of protection cover, which can be ordered separately as an accessory. Support body made out of polypropylene covered by an AISI 304 stainless steel layer, to obtain the maximum chemical resistance to antibacterial detergents used in food processing field. Moreover this part is moulded without internal cavities in order to obtain the best sanitification. Assembly with not shouldered shaft. Maximum shaft alignment error 2.5°.

BOX QUANTITY: 8 pieces.

ON REQUEST: Protection cover in different colours and with personalized brand; box quantity according to your request.

Oval flanged bearing supports Type: SFL/C (SXL/C)



Full protection of bearing
OPEN TYPE

- 1) Support body made out of polyamide reinforced with glass fibers.
- 2) Back gasket made out of NBR rubber for turning shaft seal.
- 3) Chrome steel or stainless steel bearing AISI 440C.
- 4) Spacer for fixing reinforcement made out of stainless steel AISI 304.
- 5) UNI 6592 support washer made out of stainless steel AISI 304.
- 6) Protection cover made out of polypropylene (grey colour Ral 7042).
- 7) Front gasket made out of NBR rubber for turning shaft seal.
- 8) OR gasket made out of NBR rubber
- 9) Greaser for relubrication made out of nickel-plated brass.

Support dimensions respect ISO 3228 set of rules.

Maximum shaft alignment error 2,5°

For further information please contact our technical office or sales department.

D	CHROME STEEL BEARING																	
	CLOSED Type	OPEN Type	CODES		DIMENSIONS (mm)										Bearing load (N)		Support load (N)	
			Closed Code	Open Code	E	A	B	S	G	I	Z	U	T	DF		C		C0
20	SFL/C 204	SFL/C 204A	CP000624	CP000628	90	118	64	10,5	19	15,5	33,5	44	46,5	45	40	12800	6600	8500
25	SFL/C 205	SFL/C 205A	CP000625	CP000629	99	131	72	10,5	22	17	36	47	49	50	45	14000	7800	10000
30	SFL/C 206	SFL/C 206A	CP000626	CP000630	117	149	86	10,5	26	20	41	54	56	60	50	19500	11300	13000
35	SFL/C 207	SFL/C 207A	CP000627	CP000631	130	163	94	10,5	26	20	45	57	59	70	55	25500	15300	14000

D	STAINLESS STEEL BEARING AISI 440C																	
	CLOSED Type	OPEN Type	CODES		DIMENSIONS (mm)										Bearing load (N)		Support load (N)	
			Closed Code	Open Code	E	A	B	S	G	I	Z	U	T	DF		C		C0
20	SXL/C 204	SXL/C 204A	CP000632	CP000636	90	118	64	10,5	19	15,5	33,5	44	46,5	45	40	8300	6550	8500
25	SXL/C 205	SXL/C 205A	CP000633	CP000637	99	131	72	10,5	22	17	36	47	49	50	45	9150	7800	10000
30	SXL/C 206	SXL/C 206A	CP000634	CP000638	117	149	86	10,5	26	20	41	54	56	60	50	12500	11200	13000
35	SXL/C 207	SXL/C 207A	CP000635	CP000639	130	163	94	10,5	26	20	45	57	59	70	55	16600	15300	14000

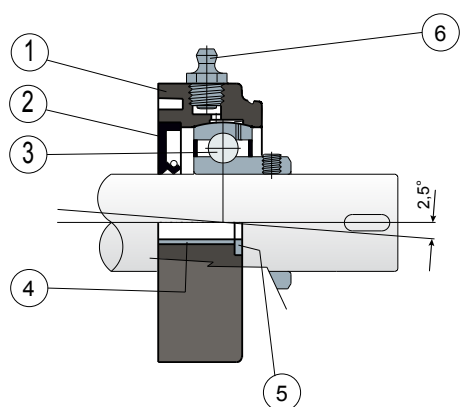
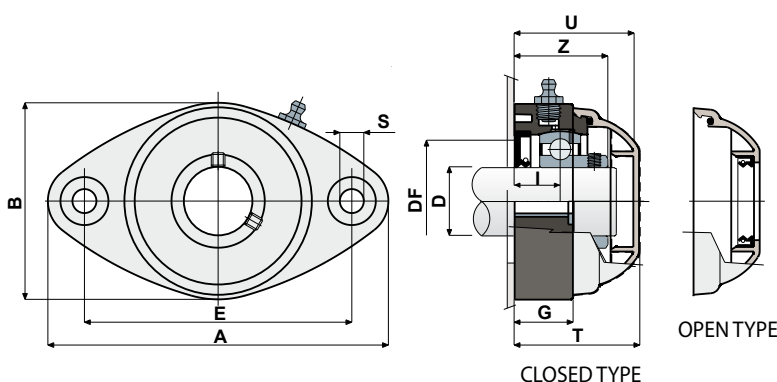
MATERIALS: Support made out of PA + glass fiber black colour; chrome steel or stainless steel bearing; greaser made out of nickel plated brass; reinforcement bushings and washers made out of stainless steel AISI 304; gaskets made out of NBR rubber; cover made out of polypropylene, grey colour RAL 7042.

FEATURES: Full protection of bearing against external agents. Assembly with not shouldered shafts. Maximum shaft alignment error 2.5°.

BOX QUANTITY: 8 pieces.

ON REQUEST: Antibacterial executions and versions with polypropylene + glass fiber support; protection cover in different colours and with personalized brand; box quantity according to your request.

Oval flanged bearing supports Type: SFL/CX (SXL/CX)



Without protection cover

- 1) Support body made out of polyamide reinforced with glass fibers.
- 2) Back gasket made out of NBR rubber for turning shaft seal.
- 3) Chrome steel or stainless steel bearing AISI 440C.
- 4) Spacer for fixing reinforcement made out of stainless steel AISI 304.
- 5) UNI 6592 support washer made out of stainless steel AISI 304.
- 6) Greaser for relubrication made out of nickel-plated brass.

NOTE: The only difference from SFL/C (SXL/C) series is lack of protection cover, which can be ordered separately as an accessory.

Support dimensions respect ISO 3228 set of rules.
Maximum shaft alignment error 2,5°

For further information please contact our technical office or sales department.

CHROME STEEL BEARING

D	Type	CODES Support	DIMENSIONS (mm)										Bearing load (N)		Support load	CLOSED Cover	OPEN Cover	COVER CODES		
			E	A	B	S	G	I	Z	U	T	DF Max	DF Min	C	C0			(N)	Closed Code	Open Code
20	SFL/CX 204	CP000640	90	118	64	10,5	19	15,5	33,5	44	46,5	45	40	12800	6600	8500	CF 204	CF 204 A	CP002004	CP002014
25	SFL/CX 205	CP000641	99	131	72	10,5	22	17	36	47	49	50	45	14000	7800	10000	CF 205	CF 205 A	CP002005	CP002015
30	SFL/CX 206	CP000642	117	149	86	10,5	26	20	41	54	56	60	50	19500	11300	13000	CF 206	CF 206 A	CP002006	CP002016
35	SFL/CX 207	CP000643	130	163	94	10,5	26	20	45	57	59	70	55	25500	15300	14000	CF 207	CF 207 A	CP002007	CP002017

STAINLESS STEEL BEARING AISI 440C

D	Type	CODES Support	DIMENSIONS (mm)										Bearing load (N)		Support load	CLOSED Cover	OPEN Cover	COVER CODES		
			E	A	B	S	G	I	Z	U	T	DF Max	DF Min	C	C0			(N)	Closed Code	Open Code
20	SXL/CX 204	CP000644	90	118	64	10,5	19	15,5	33,5	44	46,5	45	40	8300	6550	8500	CF 204	CF 204 A	CP002004	CP002014
25	SXL/CX 205	CP000645	99	131	72	10,5	22	17	36	47	49	50	45	9150	7800	10000	CF 205	CF 205 A	CP002005	CP002015
30	SXL/CX 206	CP000646	117	149	86	10,5	26	20	41	54	56	60	50	12500	11200	13000	CF 206	CF 206 A	CP002006	CP002016
35	SXL/CX 207	CP000647	130	163	94	10,5	26	20	45	57	59	70	55	16600	15300	14000	CF 207	CF 207 A	CP002007	CP002017

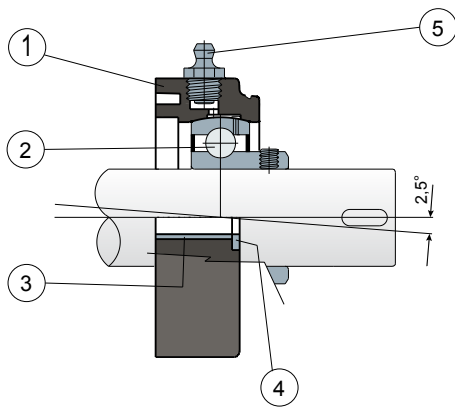
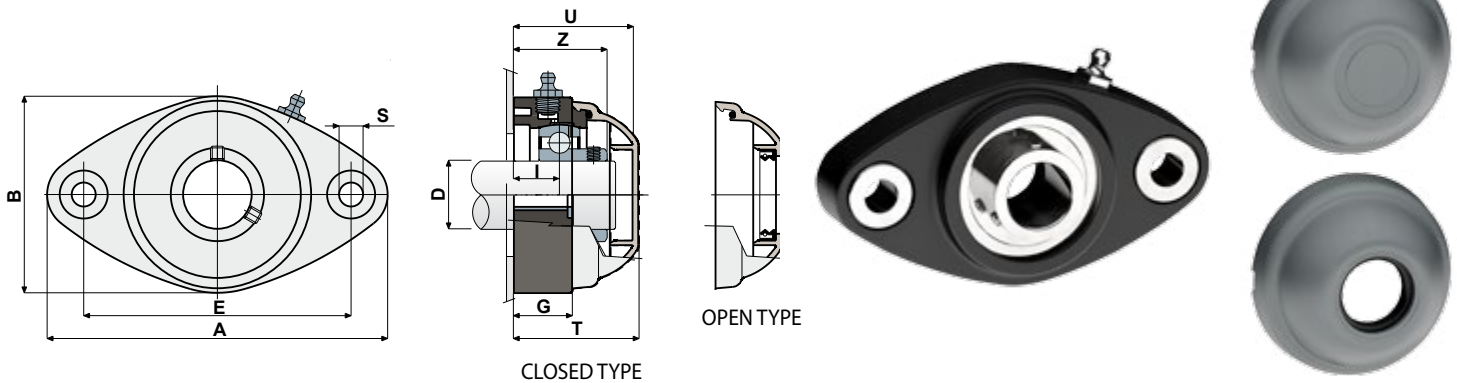
MATERIALS: Support made out of PA + glass fiber black colour; chrome steel or stainless steel bearing; greaser made out of nickel plated brass; reinforcement bushings and washers made out of stainless steel AISI 304; gaskets made out of NBR rubber; cover made out of polypropylene, grey colour RAL 7042.

FEATURES: The difference from SFL/C (SXL/C) series is lack of protection cover which can be ordered separately as an accessory. Assembly with not shouldered shafts. Maximum shaft alignment error 2.5°.

BOX QUANTITY: 8 pieces.

ON REQUEST: Antibacterial executions and versions with polypropylene + glass fiber support; protection cover in different colours and with personalized brand; box quantity according to your request.

Oval flanged bearing supports Type: SFL (SXL)



Without cover and back gasket

- 1) Support body made out of polyamide reinforced with glass fibers.
- 2) Chrome steel or stainless steel bearing AISI 440C.
- 3) Spacer for fixing reinforcement made out of stainless steel AISI 304.
- 4) UNI 6592 support washer made out of stainless steel AISI 304.
- 5) Greaser for relubrication made out of nickel-plated brass.

NOTE: The only difference from SFL/C (SXL/C) series is lack of back gasket and protection cover, which can be ordered separately as accessories.

Support dimensions respect ISO 3228 set of rules.

Maximum shaft alignment error 2,5°

For further information please contact our technical office or sales department.

D	Type	Support CODES	CHROME STEEL BEARING										Bearing load (N)		Support load		CLOSED Cover	OPEN Cover	COVER CODES	
			DIMENSIONS (mm)										C	C0	(N)				Closed Code	Open Codet
			E	A	B	S	G	I	Z	U	T									
20	SFL 204	CP000648	90	118	64	10,5	19	15,5	33,5	44	46,5	12800	6600	8500	SF 204	SF 204 A	CP002004	CP002014		
25	SFL 205	CP000649	99	131	72	10,5	22	17	36	47	49	14000	7800	10000	SF 205	SF 205 A	CP002005	CP002015		
30	SFL 206	CP000650	117	149	86	10,5	26	20	41	54	56	19500	11300	13000	SF 206	SF 205 A	CP002006	CP002016		
35	SFL 207	CP000651	130	163	94	10,5	26	20	45	57	59	25500	15300	14000	SF 207	SF 206 A	CP002007	CP002017		

D	Type	Support CODES	STAINLESS STEEL BEARING AISI 440C										Bearing load (N)		Support load		CLOSED Cover	OPEN Cover	COVER CODES	
			DIMENSIONS (mm)										C	C0	(N)				Closed Code	Open Codet
			E	A	B	S	G	I	Z	U	T									
20	SXL 204	CP000652	90	118	64	10,5	19	15,5	33,5	44	46,5	8500	6550	8500	SF 204	SF 204 A	CP002004	CP002014		
25	SXL 205	CP000653	99	131	72	10,5	22	17	36	47	49	9150	7800	10000	SF 205	SF 205 A	CP002005	CP002015		
30	SXL 206	CP000654	117	149	86	10,5	26	20	41	54	56	12500	11200	13000	SF 206	SF 205 A	CP002006	CP002016		
35	SXL 207	CP000655	130	163	94	10,5	26	20	45	57	59	16600	15300	14000	SF 207	SF 206 A	CP002007	CP002017		

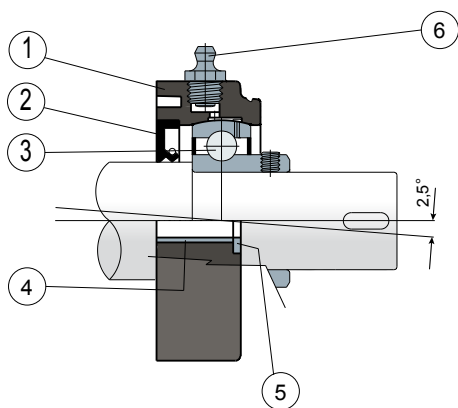
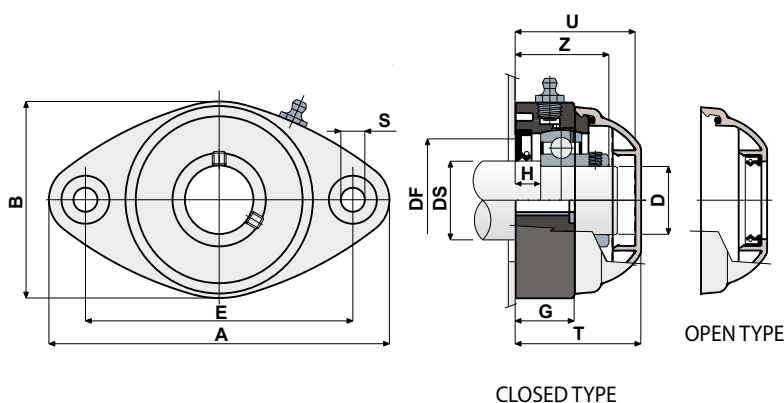
MATERIALS: Support made out of PA + glass fiber black colour; chrome steel or stainless steel bearing; greaser made out of nickel plated brass; reinforcement bushings and washers made out of stainless steel AISI 304; gaskets made out of NBR rubber; cover made out of polypropylene, grey colour RAL 7042.

FEATURES: The difference from SFL/C (SXL/C) series is lack of back gasket and protection cover, which can be ordered separately as accessories. Assembly with shouldered and not shouldered shafts. Maximum shaft alignment error 2.5°.

BOX QUANTITY: 8 pieces.

ON REQUEST: Antibacterial executions and versions with polypropylene + glass fiber support; protection cover in different colours and with personalized brand; box quantity according to your request. couleur différente et avec logo personnalisé; conditionnement hors standard.

Oval flanged bearing supports Type: SFL/CS



Back gasket for shouldered shaft

- 1) Support body made out of polyamide reinforced with glass fibers.
- 2) Back gasket made out of NBR rubber for turning shaft seal.
- 3) Chrome steel or stainless steel bearing AISI 440C.
- 4) Spacer for fixing reinforcement made out of stainless steel AISI 304.
- 5) UNI 6592 support washer made out of stainless steel AISI 304.
- 6) Greaser for relubrication made out of nickel-plated brass.

Support dimensions respect ISO 3228 set of rules.

Maximum shaft alignment error 2,5°

For further information please contact our technical office or sales department.

CHROME STEEL BEARING																					
DS	D	Type	Support CODES	DIMENSIONS (mm)										Bearing load (N)		Support load	CLOSED Cover	OPEN Cover	COVER CODES		
				E	A	B	S	G	H	Z	U	T	DF	C	C0	(N)			Closed Code	Open Code	
25	20	SFL/CS 204	CP000656	90	118	64	10,5	19	8,5	33,5	44	46,5	45	40	12800	6600	8500	CF 204	CF 204 A	CP002004	CP002014
30	25	SFL/CS 205	CP000657	99	131	72	10,5	22	10	36	47	49	50	45	14000	7800	10000	CF 205	CF 205 A	CP002005	CP002015
35	30	SFL/CS 206	CP000658	117	149	86	10,5	26	11,5	41	54	56	60	50	19500	11300	13000	CF 206	CF 206 A	CP002006	CP002016
40	35	SFL/CS 207	CP000659	130	163	94	10,5	26	10,5	45	57	59	70	55	25500	15300	14000	CF 207	CF 207 A	CP002007	CP002017

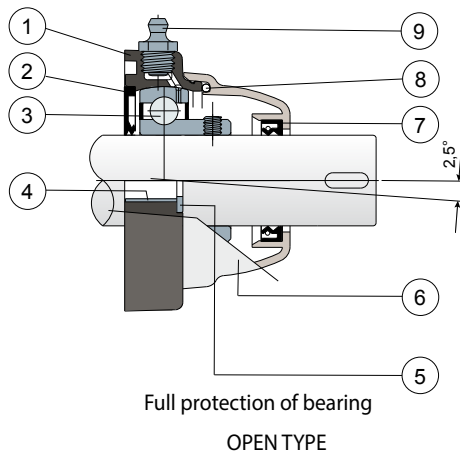
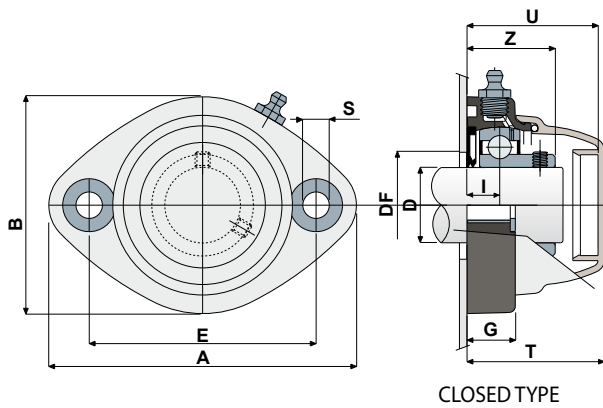
MATERIALS: Support made out of PA + glass fiber black colour; chrome steel bearing; greaser made out of nickel plated brass; reinforcement bushings and washers made out of stainless steel AISI 304; gaskets made out of NBR rubber; cover made out of polypropylene, grey colour RAL 7042.

FEATURES: Back gasket for shouldered shafts. Use of shouldered shafts allows a higher capability of axial load. Maximum shaft alignment error 2,5°.

BOX QUANTITY: 8 pieces.

ON REQUEST: Antibacterial executions and versions with polypropylene + glass fiber support; protection cover in different colours and with personalized brand; bearing made out of AISI 440C stainless steel; box quantity according to your request.

Oval flanged bearing supports Type: MSFL/C (MSXL/C)



- 1) Support body made out of polyamide reinforced with glass fibers.
- 2) Back gasket made out of NBR rubber for turning shaft seal.
- 3) Chrome steel or stainless steel bearing AISI 440C.
- 4) Spacer for fixing reinforcement made out of stainless steel AISI 304.
- 5) UNI 6592 support washer made out of stainless steel AISI 304.
- 6) Protection cover made out of polypropylene (grey colour Ral 7042).
- 7) Front gasket made out of NBR rubber for turning shaft seal.
- 8) OR gasket made out of NBR rubber
- 9) Greaser for relubrication made out of nickel-plated brass.

Maximum shaft alignment error 2,5°

For further information please contact our technical office or sales department.

CHROME STEEL BEARING																		
D	CLOSED Type	OPEN Type	CODES		DIMENSIONS (mm)									Bearing load (N)		Support load (N)		
			Closed Code	Open Code	E	A	B	S	G	I	Z	U	T	DF Max	DF Min		C	C0
20	MSFL/C 204	MSFL/C 204 A	CP000660	CP000663	90	122	86	10,5	19	16	34	44	46,5	45	40	12800	6600	8500
25	MSFL/C 205	MSFL/C 205 A	CP000661	CP000664	90	122	86	10,5	19	15,5	35	44	46,5	50	45	14000	7800	10000
30	MSFL/C 20	MSFL/C 206 A	CP000662	CP000665	90	122	86	10,5	19	13	35	52	54,5	60	50	19500	11300	13000

STAINLESS STEEL BEARING AISI 440C																		
D	CLOSED Type	OPEN Type	CODES		DIMENSIONS (mm)									Bearing load (N)		Support load (N)		
			Closed Code	Open Code	E	A	B	S	G	I	Z	U	T	DF Max	DF Min		C	C0
20	MSXL/C 204	MSXL/C 204 A	CP000666	CP000669	90	122	86	10,5	19	16	34	44	46,5	45	40	12800	6600	8500
25	MSXL/C 205	MSXL/C 205 A	CP000667	CP000670	90	122	86	10,5	19	15,5	35	44	46,5	50	45	14000	7800	10000
30	MSXL/C 206	MSXL/C 206 A	CP000668	CP000671	90	122	86	10,5	19	13	35	52	54,5	60	50	19500	11300	13000

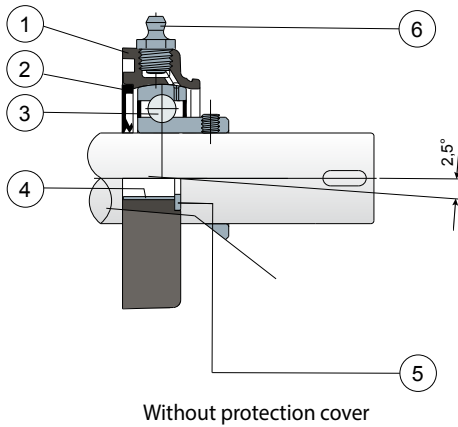
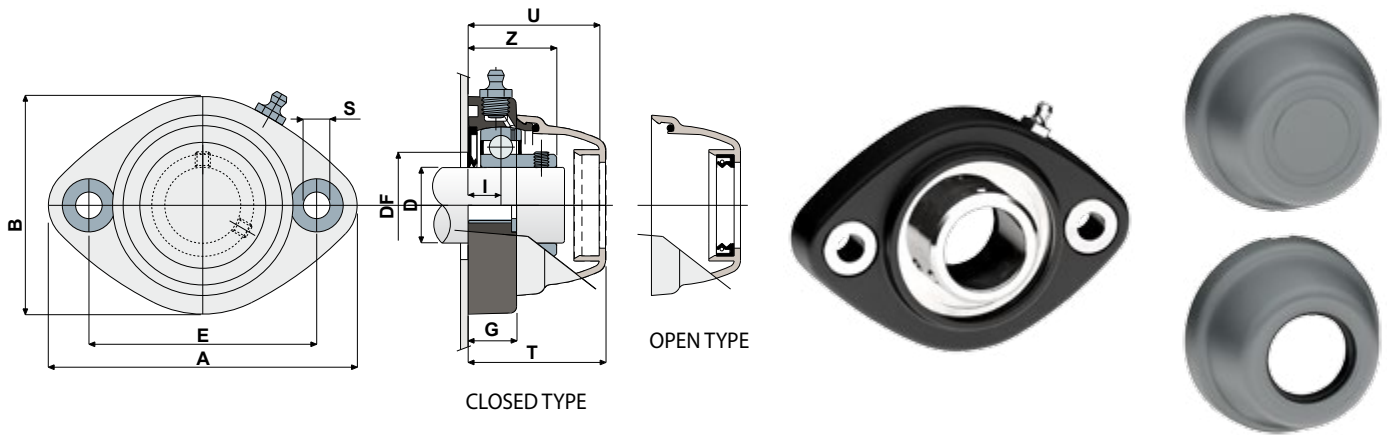
MATERIALS: Support made out of PA + glass fiber black colour; chrome steel or stainless steel bearing, greaser made out of nickel plated brass; reinforcement bushings and washers made out of stainless steel AISI 304; gaskets made out of NBR rubber; cover made out of polypropylene, grey colour RAL 7042.

FEATURES: Full protection of bearing against external agents. Assembly with not shouldered shafts. Maximum shaft alignment error 2.5°.

BOX QUANTITY: 8 pieces.

ON REQUEST: Antibacterial executions and versions with polypropylene + glass fiber support; protection cover in different colours and with personalized brand; box quantity according to your request.

Oval flanged bearing supports Type: MSFL/CX (MSXL/CX)



- 1) Support body made out of polyamide reinforced with glass fibers.
- 2) Back gasket made out of NBR rubber for turning shaft seal.
- 3) Chrome steel or stainless steel bearing AISI 440C.
- 4) Spacer for fixing reinforcement made out of stainless steel AISI 304.
- 5) UNI 6592 support washer made out of stainless steel AISI 304.
- 6) Greaser for relubrication made out of nickel-plated brass.

NOTE: The only difference from MSFL/C (MSXL/C) series is lack of protection cover, which can be ordered separately as an accessory.

Maximum shaft alignment error 2,5°

For further information please contact our technical office or sales department.

CHROME STEEL BEARING																				
D	Type	Support CODES	DIMENSIONS (mm)										Bearing load (N)		Support load	CLOSED Cover	OPEN Cover	COVER CODES		
			E	A	B	S	G	I	Z	U	T	DF Max	DF Min	C	C0			(N)	Closed Code	Open Code
20	MSFL/CX 204	CP000672	90	122	86	10,5	19	16	34	44	46,5	45	40	12800	6600	8500	SF 204	SF 204 A	CP002004	CP002014
25	MSFL/CX 205	CP000673	90	122	86	10,5	19	15,5	35	44	46,5	50	45	14000	7800	10000	SF 205	SF 205 A	CP002005	CP002015
30	MSFL/CX 206	CP000674	90	122	86	10,5	19	13	35	52	54,5	60	50	19500	11300	13000	SF 206	SF 206 A	CP002006	CP002016

STAINLESS STEEL BEARING AISI 440C																				
D	Type	Support CODES	DIMENSIONS (mm)										Bearing load (N)		Support load	CLOSED Cover	OPEN Cover	COVER CODES		
			E	A	B	S	G	I	Z	U	T	DF Max	DF Min	C	C0			(N)	Closed Code	Open Code
20	MSXL/CX 204	CP000675	90	122	86	10,5	19	16	34	44	46,5	45	40	12800	6600	8500	SF 204	SF 204 A	CP002004	CP002014
25	MSXL/CX 205	CP000676	90	122	86	10,5	19	15,5	35	44	46,5	50	45	14000	7800	10000	SF 205	SF 205 A	CP002005	CP002015
30	MSXL/CX 206	CP000677	90	122	86	10,5	19	13	35	52	54,5	60	50	19500	11300	13000	SF 206	SF 206 A	CP002006	CP002016

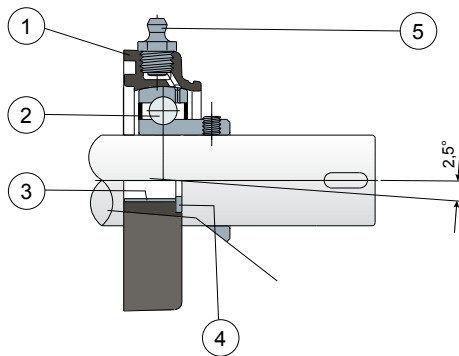
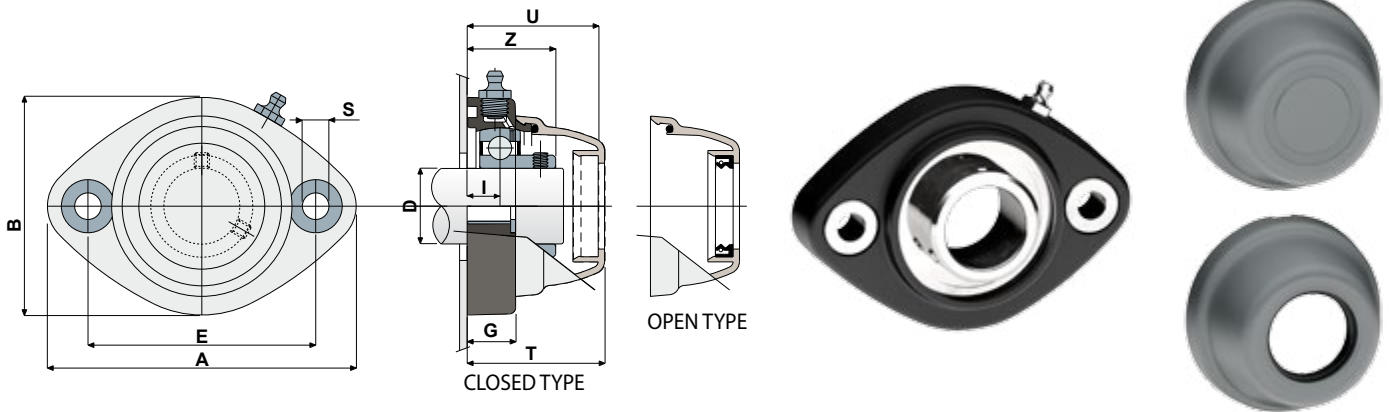
MATERIALS: Support made out of PA + glass fiber black colour; chrome steel or stainless steel bearing; greaser made out of nickel plated brass; reinforcement bushings and washers made out of stainless steel AISI 304; gaskets made out of NBR rubber; cover made out of polypropylene, grey colour RAL 7042.

FEATURES: The difference from MSFL/C (MSXL/C) series is lack of protection cover which can be ordered separately as an accessory. Assembly with not shouldered shafts. Maximum shaft alignment error 2.5°.

BOX QUANTITY: 8 pieces.

ON REQUEST: Antibacterial executions and versions with polypropylene + glass fiber support; protection cover in different colours and with personalized brand; box quantity according to your request.

Oval flanged bearing supports Type: MSFL (MSXL)



Without cover and back gasket

- 1) Support body made out of polyamide reinforced with glass fibers.
- 2) Chrome steel or stainless steel bearing AISI 440C.
- 3) Spacer for fixing reinforcement made out of stainless steel AISI 304.
- 4) UNI 6592 support washer made out of stainless steel AISI 304.
- 5) Greaser for relubrication made out of nickel-plated brass.

NOTE: The only difference from MSFL/C (MSXL/C) series is lack of back gasket and protection cover, which can be ordered separately as accessories.

Maximum shaft alignment error 2,5°

For further information please contact our technical office or sales department.

CHROME STEEL BEARING																		
D	Type	Support CODES	DIMENSIONS (mm)								Bearing load (N)		Support load	CLOSED Cover	OPEN Cover	COVER CODES		
			E	A	B	S	G	I	Z	U	T	C	C0			(N)	Closed Code	Open Codet
20	MSFL 204	CP000678	90	122	86	10,5	19	16	34	44	46,5	12800	6600	8500	SF 204	SF 204 A	CP002004	CP002014
25	MSFL 205	CP000679	90	122	86	10,5	19	15,5	35	44	46,5	14000	7800	10000	SF 205	SF 205 A	CP002005	CP002015
30	MSFL 206	CP000680	90	122	86	10,5	19	13	35	52	54,5	19500	11300	13000	SF 206	SF 206 A	CP002006	CP002016

STAINLESS STEEL BEARING AISI 440C																		
D	Type	Support CODES	DIMENSIONS (mm)								Bearing load (N)		Support load	CLOSED Cover	OPEN Cover	COVER CODES		
			E	A	B	S	G	I	Z	U	T	C	C0			(N)	Closed Code	Open Codet
20	MSXL 204	CP000681	90	122	86	10,5	19	16	34	44	46,5	12800	6600	8500	SF 204	SF 204 A	CP002004	CP002014
25	MSXL 205	CP000682	90	122	86	10,5	19	15,5	35	44	46,5	14000	7800	10000	SF 205	SF 205 A	CP002005	CP002015
30	MSXL 206	CP000683	90	122	86	10,5	19	13	35	52	54,5	19500	11300	13000	SF 206	SF 206 A	CP002006	CP002016

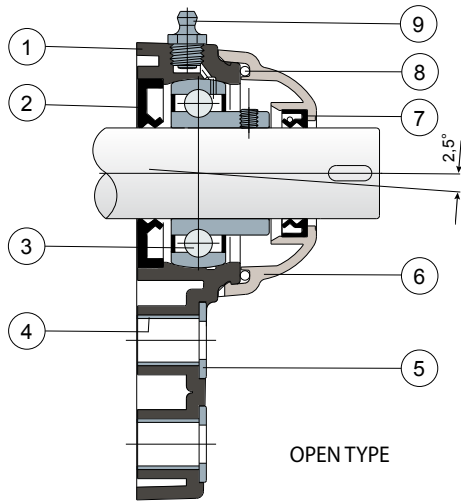
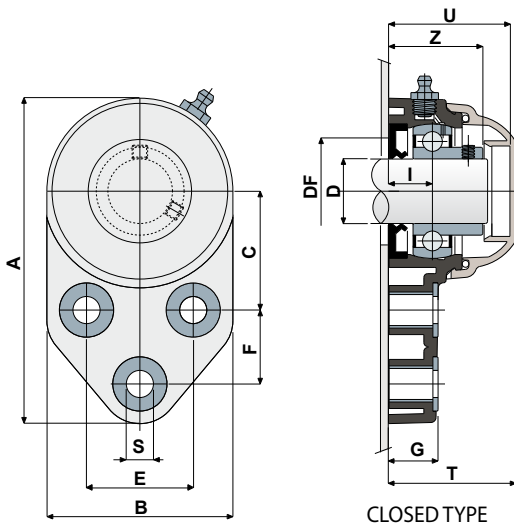
MATERIALS: Support made out of PA + glass fiber black colour; chrome steel or stainless steel bearing; greaser made out of nickel plated brass; reinforcement bushings and washers made out of stainless steel AISI 304; gaskets made out of NBR rubber; cover made out of polypropylene, grey colour RAL 7042.

FEATURES: The difference from MSFL/C (MSXL/C) series is lack of back gasket and protection cover, which can be ordered separately as accessories. Assembly with shouldered and not shouldered shafts. Maximum shaft alignment error 2.5°.

BOX QUANTITY: 8 pieces.

ON REQUEST: Antibacterial executions and versions with polypropylene + glass fiber support; protection cover in different colours and with personalized brand; box quantity according to your request.

Side flanged bearing supports Type: SFB/C (SXB/C)



- 1) Support body made out of polyamide reinforced with glass fibers.
- 2) Back gasket made out of NBR rubber for turning shaft seal.
- 3) Chrome steel or stainless steel bearing AISI 440C.
- 4) Spacer for fixing reinforcement made out of stainless steel AISI 304.
- 5) UNI 6592 support washer made out of stainless steel AISI 304.
- 6) Protection cover made out of polypropylene (grey colour Ral 7042).
- 7) Front gasket made out of NBR rubber for turning shaft seal.
- 8) OR gasket made out of NBR rubber
- 9) Greaser for relubrication made out of nickel-plated brass.

Maximum shaft alignment error 2,5°

For further information please contact our technical office or sales department.

CHROME STEEL BEARING																				
D	CLOSED Type	OPEN Type	CODES		DIMENSIONS (mm)													Bearing load (N)		Support load
			Closed Code	Open Code	E	A	B	C	F	S	G	I	Z	U	T	DF		C	C0	(N)
20	SFB/C 204	SFB/C 204 A	CP000684	CP000687	41,3	125	72	46	28,6	10,5	19	18	36	47	49,5	45	40	12800	6600	8500
25	SFB/C 205	SFB/C 205 A	CP000685	CP000688	41,3	125	72	46	28,6	10,5	19	17	36,5	47	49,5	50	45	14000	7800	9000
40	SFB/C 208	SFB/C 208 A	CP000686	CP000689	50	165	100	60,5	41	10,5	26,3	19,5	48,5	65,5	68	78	65	32500	19800	18000

STAINLESS STEEL BEARING AISI 440C																				
D	CLOSED Type	OPEN Type	CODES		DIMENSIONS (mm)													Bearing load (N)		Support load
			Code Fermé	Code Ouvert	E	A	B	C	F	S	G	I	Z	U	T	DF		C	C0	(N)
20	SXB/C 204	SXB/C 204 A	CP000690	CP000693	41,3	125	72	46	28,6	10,5	19	17,5	35,5	47	49,5	45	40	12800	6600	8500
25	SXB/C 205	SXB/C 205 A	CP000691	CP000694	41,3	125	72	46	28,6	10,5	19	17	36,5	47	49,5	50	45	14000	7800	9000
40	SXB/C 208	SXB/C 208 A	CP000692	CP000695	50	165	100	60,5	41	10,5	26,3	19,5	48,5	65,5	68	78	65	32500	19800	18000

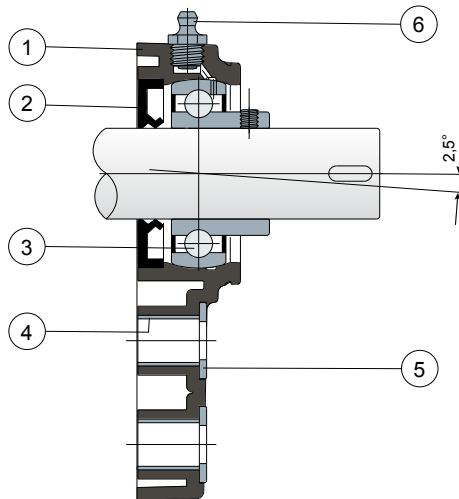
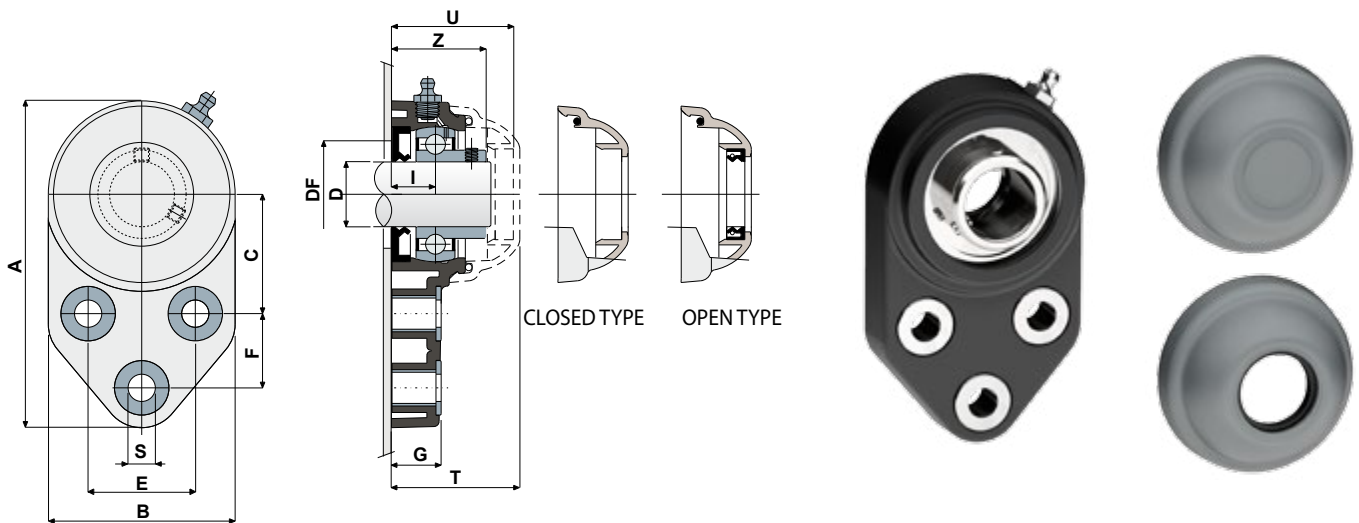
MATERIALS: Support made out of PA + glass fiber black colour; chrome steel or stainless steel bearing, greaser made out of nickel plated brass; reinforcement bushings and washers made out of stainless steel AISI 304; gaskets made out of NBR rubber; cover made out of polypropylene, grey colour RAL 7042.

FEATURES: Full protection of bearing against external agents. Assembly with not shouldered shafts. Maximum shaft alignment error 2.5°.

BOX QUANTITY: 8 pieces.

ON REQUEST: Antibacterial executions and versions with polypropylene + glass fiber support; protection cover in different colours and with personalized brand; box quantity according to your request.

Side flanged bearing supports Type: SFB/CX (SXB/CX)



Without protection cover

- 1) Support body made out of polyamide reinforced with glass fibers.
- 2) Back gasket made out of NBR rubber for turning shaft seal.
- 3) Chrome steel or stainless steel bearing AISI 440C.
- 4) Spacer for fixing reinforcement made out of stainless steel AISI 304.
- 5) UNI 6592 support washer made out of stainless steel AISI 304.
- 6) Greaser for relubrication made out of nickel-plated brass.

NOTE: The only difference from SFB/C (SXB/C) series is lack of protection cover, which can be ordered separately as an accessory.

Maximum shaft alignment error 2,5°

For further information please contact our technical office or sales department.

CHROME STEEL BEARING																						
D	Type	Support CODES	DIMENSIONS (mm)											Bearing load (N)		Support load	CLOSED Cover	OPEN Cover	COVER CODES			
			E	A	B	C	F	S	G	I	Z	U	T	DF Max	DF Min	C			C0	(N)	Closed Code	Open Code
20	SFB/CX 204	CP000696	41,3	125	72	46	28,6	10,5	19	18	36	47	49,5	45	40	12800	6600	8500	SF 204	SF 204 A	CP002004	CP002014
25	SFB/CX 205	CP000697	41,3	125	72	46	28,6	10,5	19	17	36,5	47	49,5	50	45	14000	7800	9000	SF 205	SF 205 A	CP002005	CP002015
40	SFB/CX 208	CP000698	50	165	100	60,5	41	10,5	26,3	19,5	48,5	65,5	68	78	65	32500	19800	18000	SF 208	SF 208 A	CP002008	CP002018

STAINLESS STEEL BEARING AISI 440C																						
D	Type	Support CODES	DIMENSIONS (mm)											Bearing load (N)		Support load	CLOSED Cover	OPEN Cover	COVER CODES			
			E	A	B	C	F	S	G	I	Z	U	T	DF Max	DF Min	C			C0	(N)	Closed Cover	Open Code
20	SXB/CX 204	CP000699	41,3	125	72	46	28,6	10,5	19	18	36	47	49,5	45	40	12800	6600	8500	SF 204	SF 204 A	CP002004	CP002014
25	SXB/CX 205	CP000700	41,3	125	72	46	28,6	10,5	19	17	36,5	47	49,5	50	45	14000	7800	9000	SF 205	SF 205 A	CP002005	CP002015
40	SXB/CX 208	CP000701	50	165	100	60,5	41	10,5	26,3	19,5	48,5	65,5	68	78	65	32500	19800	18000	SF 208	SF 208 A	CP002008	CP002018

MATERIALS: Support made out of PA + glass fiber black colour; chrome steel or stainless steel bearing; greaser made out of nickel plated brass; reinforcement bushings and washers made out of stainless steel AISI 304; gaskets made out of NBR rubber; cover made out of polypropylene, grey colour RAL 7042.

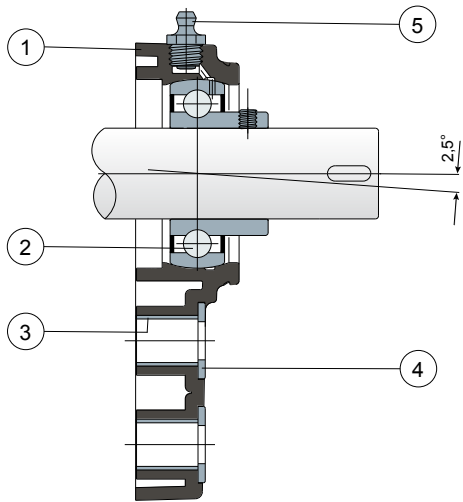
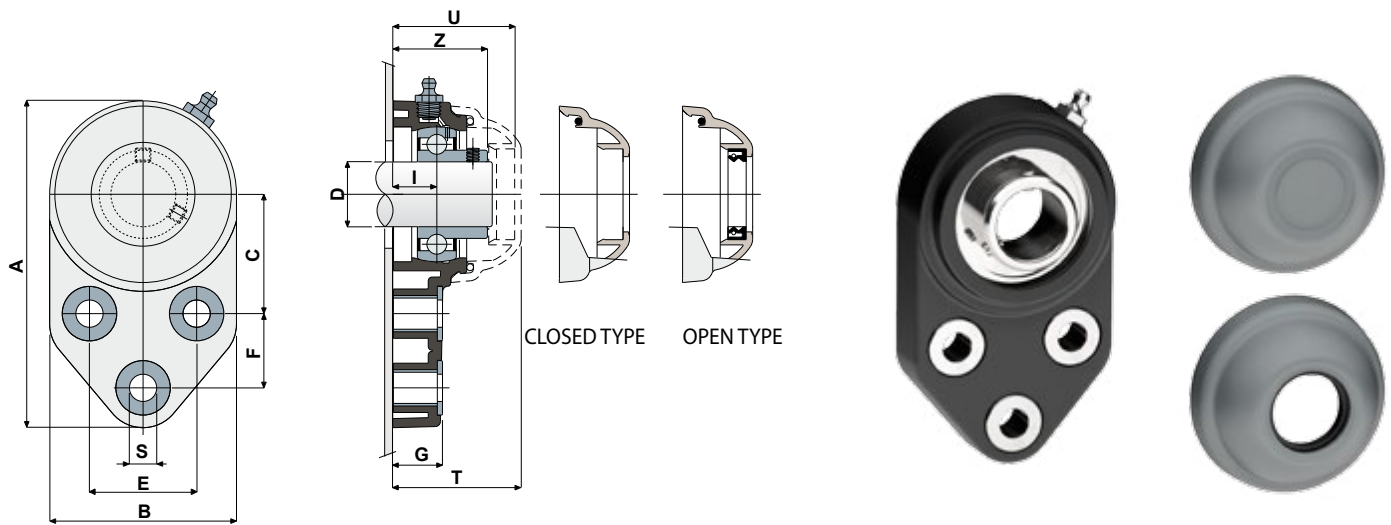
FEATURES: The difference from SFB/C (SXB/C) series is lack of protection cover which can be ordered separately as an accessory.

Assembly with not shouldered shafts. Maximum shaft alignment error 2.5°.

BOX QUANTITY: 8 pieces.

ON REQUEST: Antibacterial executions and versions with polypropylene + glass fiber support; protection cover in different colours and with personalized brand; box quantity according to your request.

Side flanged bearing supports Type: SFB (SXB)



Without cover and back gasket

- 1) Support body made out of polyamide reinforced with glass fibers.
- 2) Chrome steel or stainless steel bearing AISI 440C.
- 3) Spacer for fixing reinforcement made out of stainless steel AISI 304.
- 4) UNI 6592 support washer made out of stainless steel AISI 304.
- 5) Greaser for relubrication made out of nickel-plated brass.

NOTE: The only difference from SFB/C (SXB/C) series is lack of back gasket and protection cover, which can be ordered separately as accessories.

Support dimensions respect ISO 3228 set of rules.

Maximum shaft alignment error 2,5°

For further information please contact our technical office or sales department.

CHROME STEEL BEARING																				
D	Type	CODES Support	DIMENSIONS (mm)										Bearing load (N)		Support load	CLOSED Cover	OPEN Cover	COVER CODES		
			E	A	B	C	F	S	G	I	Z	U	T	C	C0			(N)	Closed Cover	Open Cover
20	SFB 204	CP000702	41,3	125	72	46	28,6	10,5	19	18	36	47	49,5	12800	6600	8500	SF 204	SF 204 A	CP002004	CP002014
25	SFB 205	CP000703	41,3	125	72	46	28,6	10,5	19	17	36,5	47	49,5	14000	7800	9000	SF 205	SF 205 A	CP002005	CP002015
40	SFB 208	CP000704	50	165	100	60,5	41	10,5	26,3	19,5	48,5	65,5	68	32500	19800	18000	SF 208	SF 208 A	CP002008	CP002018

STAINLESS STEEL BEARING AISI 440C																				
D	Type	CODES Support	DIMENSIONS (mm)										Bearing load (N)		Support load	CLOSED Cover	OPEN Cover	COVER CODES		
			E	A	B	C	F	S	G	I	Z	U	T	C	C0			(N)	Closed Cover	Open Cover
	SXB 204	CP000705	41,3	125	72	46	28,6	10,5	19	18	36	47	49,5	12800	6600	8500	SF 204	SF 204 A	CP002004	CP002014
	SXB 205	CP000706	41,3	125	72	46	28,6	10,5	19	17	36,5	47	49,5	14000	7800	9000	SF 205	SF 205 A	CP002005	CP002015
	SXB 208	CP000707	50	165	100	60,5	41	10,5	26,3	19,5	48,5	65,5	68	32500	19800	18000	SF 208	SF 208 A	CP002008	CP002018

MATERIALS: Support made out of PA + glass fiber black colour; chrome steel or stainless steel bearing; greaser made out of nickel plated brass; reinforcement bushings and washers made out of stainless steel AISI 304; gaskets made out of NBR rubber; cover made out of polypropylene, grey colour RAL 7042.

FEATURES: The difference from SFB/C (SXB/C) series is lack of back gasket and protection cover, which can be ordered separately as accessories. Assembly with shouldered and not shouldered shafts. Maximum shaft alignment error 2.5°.

BOX QUANTITY: 8 pieces.

ON REQUEST: Antibacterial executions and versions with polypropylene + glass fiber support; protection cover in different colours and with personalized brand; box quantity according to your request.