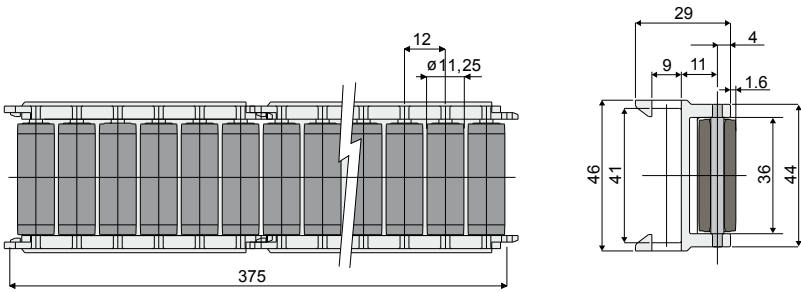


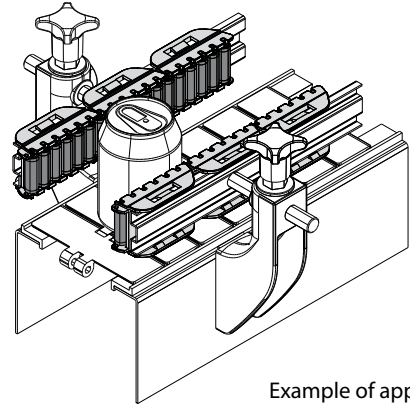
**Roller side guide (375 mm modules, with cylinders) Type: T39**



Type	Code
T39	CP000504

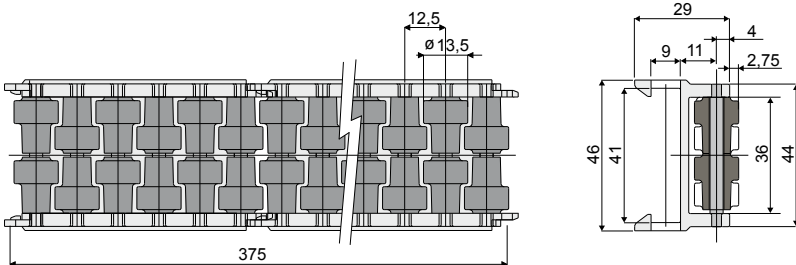
**MATERIALS:** Rollers in polyamide grey colour; support pins and modules in acetal resin black colour.  
**FEATURES:** Supplied already assembled, in modules of 375 mm length, for 40x8 mm plate. Min. curvature radius: ext = 500 mm; int. = 350 mm.  
**BOX QUANTITY:** 12 pieces.  
**ON REQUEST:**

- Module and rollers: Can be produced in other colours.
- Box Quantity: According to your request.



Example of application

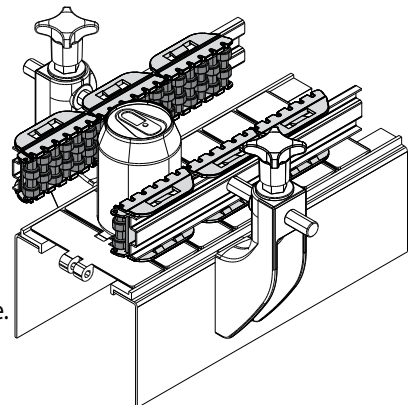
**Roller side guide (375 mm modules with small cylinders) Type: T44**



Type	Code
T44	CP000505

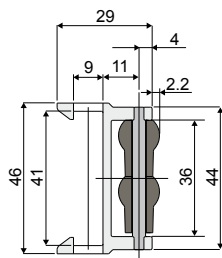
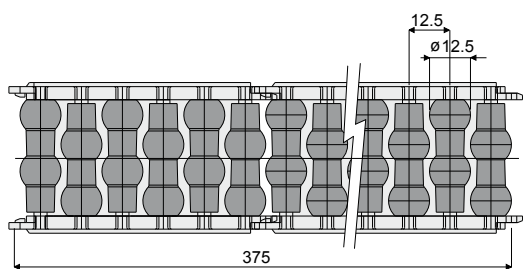
**MATERIALS:** Rollers in polyamide grey colour; support pins and modules in acetal resin black colour.  
**FEATURES:** Supplied already assembled, in modules of 375 mm length, for 40x8 mm plate. Min. curvature radius: ext = 500 mm; int. = 350 mm.  
**BOX QUANTITY:** 12 pieces.  
**ON REQUEST:**

- Module and rollers: can be produced in other colours
- Box quantity: According to your request.



Example of application

## Roller side guide (375 mm modules with pearls) Type: T45



Type	Code
T45	CP000506

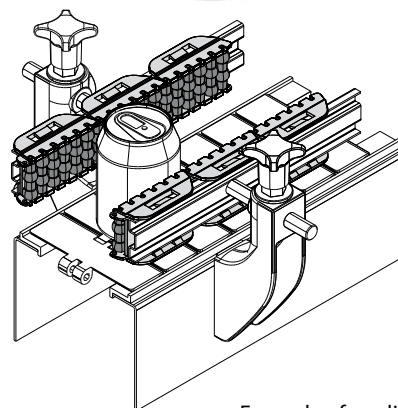
**MATERIALS:** Rollers in polyamide grey colour; support pins and modules in acetal resin black colour.

**FEATURES:** Supplied already assembled, in modules of 375 mm length, for 40x8 mm plate. Min. curvature radius: ext = 500 mm; int. = 350 mm.

**BOX QUANTITY:** 12 pieces.

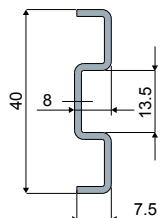
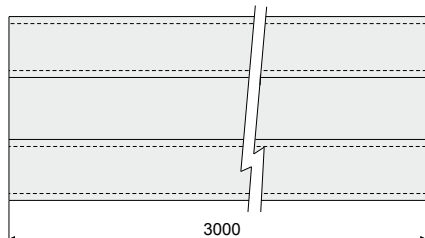
**ON REQUEST:**

- Module and rollers: can be produced in other colours
- Box quantity: According to your request.

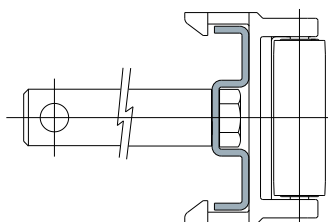


Example of application

## Profiles for side guides Type: T30



Stainless steel AISI 430		Stainless steel AISI 304	
Type	Code	Type	Code
T30	CP000507	TX30	CP000508



Example of application

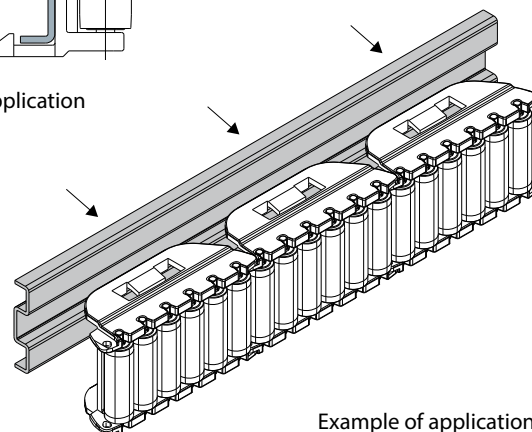
**MATERIALS:** Profiles in stainless steel AISI 430 or AISI 304.

**FEATURES:** Supplied in bars of 3 meters length. To be used with side guide T39.

**BOX QUANTITY:** 2 bars of 3 meters (total 6 meters).

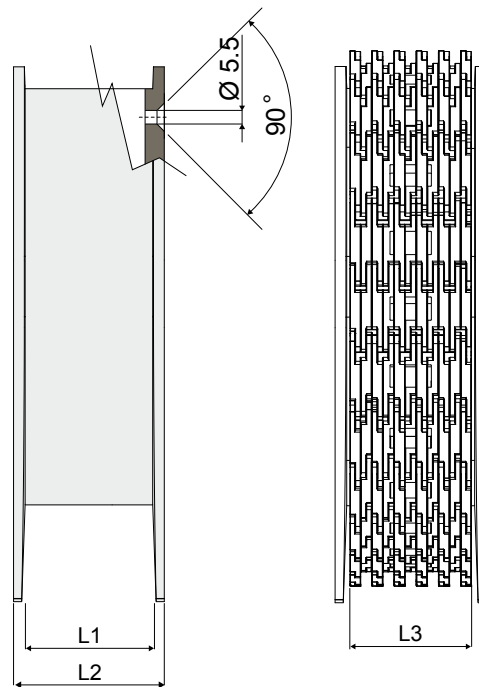
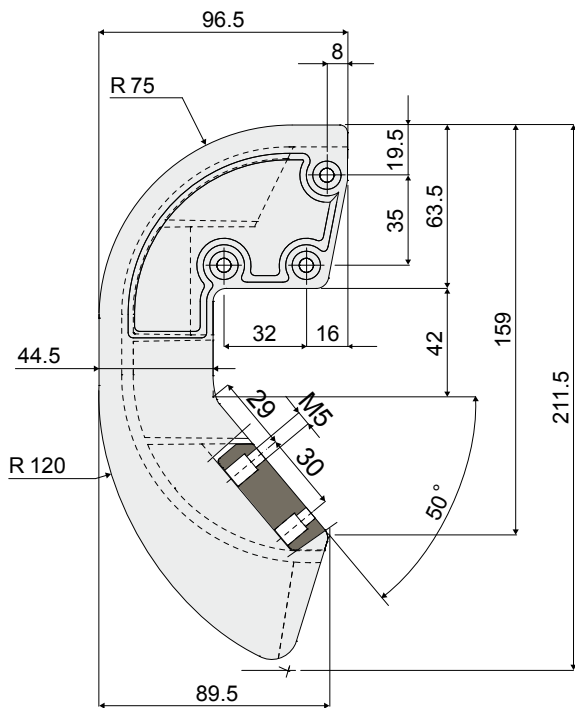
**ON REQUEST:**

- Box Quantity: According to your request.



Example of application

Shoe for chain return (for raised rib chains) Type: T59



Type	Code	L1	L2	L3 (Chain width)
T59A	CP000509	41	50	38.5
T59B	CP000510	49	58.5	47

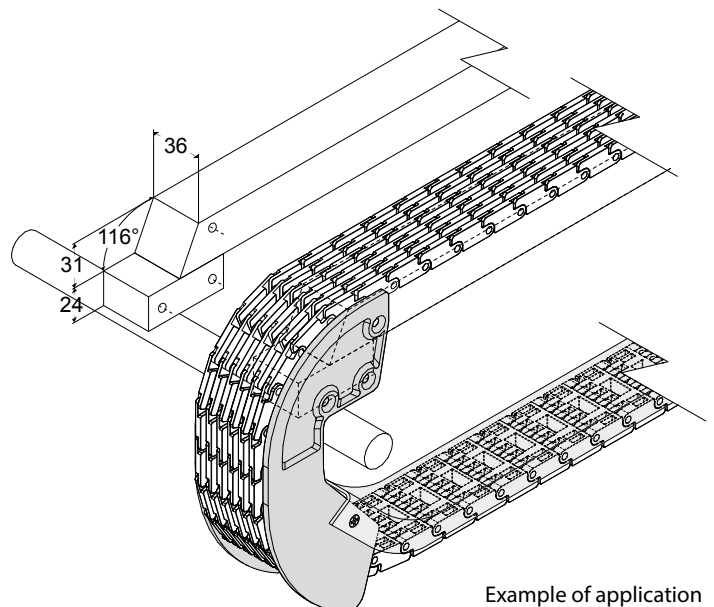
**MATERIALS:** Shoe in black polyethylene;  
screws in stainless steel AISI 304.

**FEATURES:** Supplied complete with screws.  
To be used in the idler part of the conveyor.

**BOX QUANTITY:** 8 pieces.

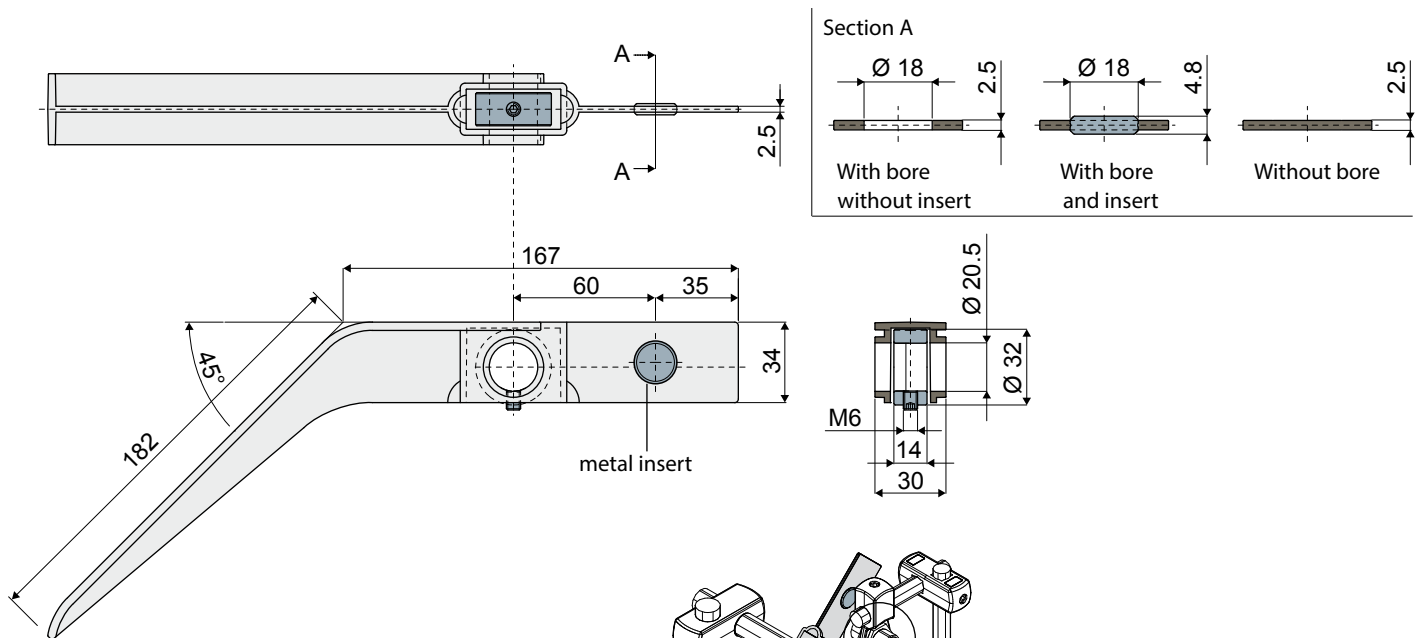
**ON REQUEST:**

- Shoes: Other colours.
- Box Quantity: According to your request



Example of application

Scanning lever Type: T60



Without bore		With bore, without sensor insert		With bore and sensor insert	
Type	Code	Type	Code	Type	Code
T60A	CP000511	T60B	CP000512	T60C	CP000513

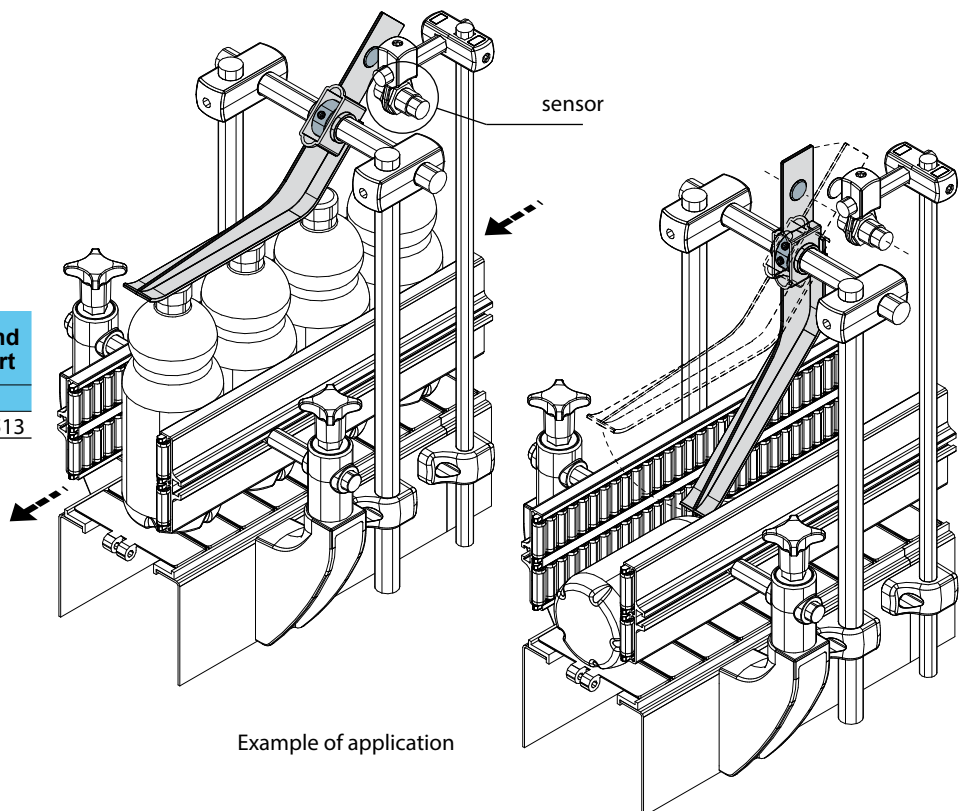
**MATERIALS:** Scanning lever in reinforced Polyamide black colour; grain and collar in zinc-plated steel.

**FEATURES:** Supplied assembled. To be used in the surveying of the packaged products, to help the arrival of the products.

**BOX QUANTITY:** 24 pieces.

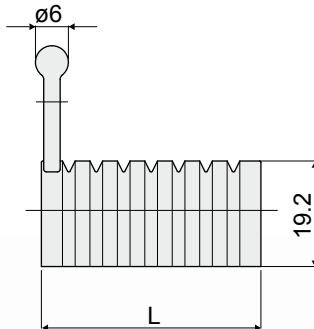
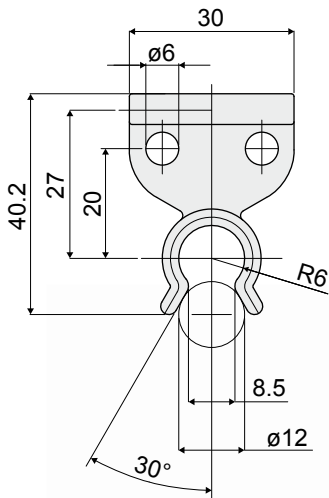
**ON REQUEST:**

- Scanning lever: Other colours.
- Box Quantity: According to your request.

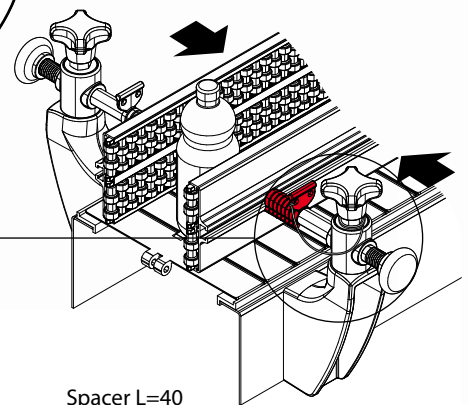
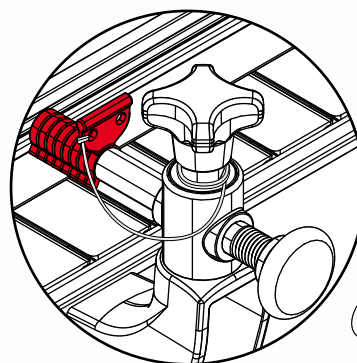
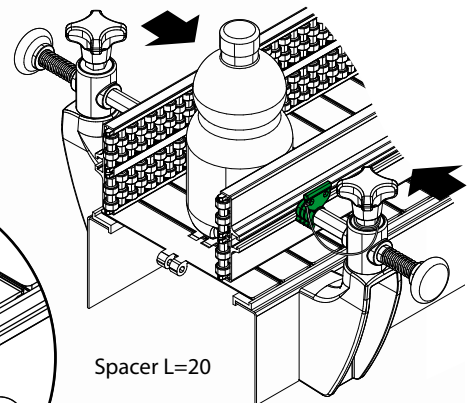
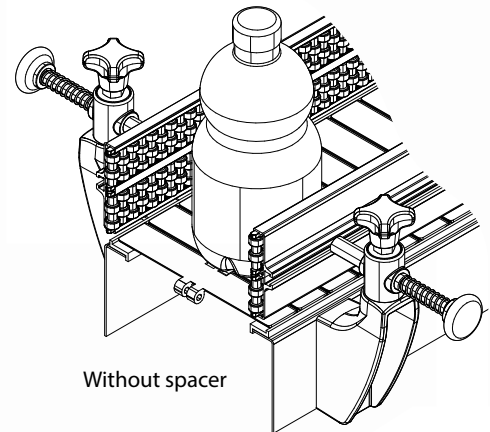




Spacer for guide rail pin Type: T52



Example of application



L	Couleur	Type	Code
5	Blanc RAL 9001	T52A	CP000514
10	Rouge RAL 3000	T52B	CP000515
15	Noir RAL 9005	T52C	CP000516
20	Vert RAL 6029	T52D	CP000517
25	Jaune RAL 1021	T52E	CP000518
30	Orange RAL 2004	T52F	CP000519
35	Bleu RAL 5015	T52G	CP000520
40	Blanc RAL 9001	T52H	CP000521
	Rouge RAL 3000	T52I	CP000522
	Noir RAL 9005	T52L	CP000523
	Vert RAL 6029	T52M	CP000524
	Jaune RAL 1021	T52N	CP000525
	Orange RAL 2004	T52O	CP000526
	Bleu RAL 5015	T52P	CP000527
	Gris RAL 7035	T52Q	CP000528

MATERIALS: Spacer in polypropylene.

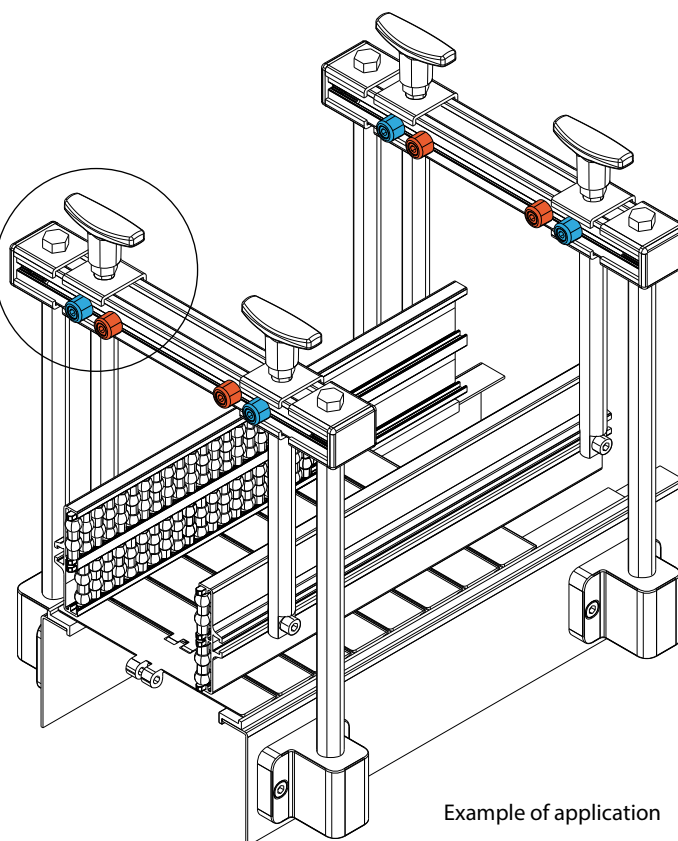
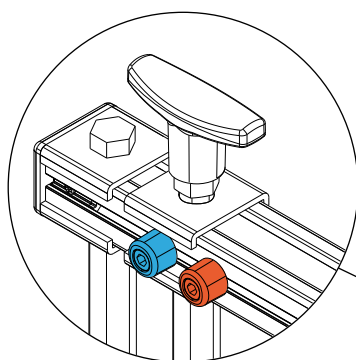
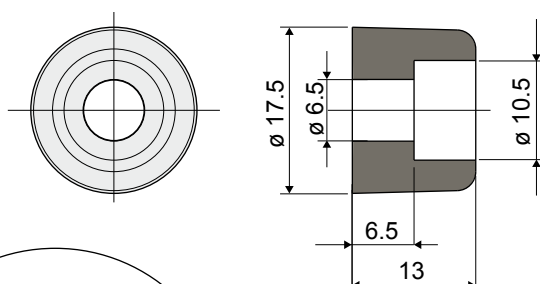
FEATURES: To be used to adjust the distance between the side guides. Snap-on assembly. Available in different lengths and colours.

BOX QUANTITY: 24 pieces.

ON REQUEST:

- Spacers: Other colours.
- Box Quantity: according to your request.

## Reference peg for size changing Type: T31



Type	Code	Colour
T31A	CP000529	Black RAL 9005
T31B	CP000530	White RAL 9001
T31C	CP000531	Red RAL 3000
T31D	CP000532	Yellow RAL 1021
T31E	CP000533	Blue RAL 5015
T31F	CP000534	Green RAL 6029
T31G	CP000535	Mustard RAL 1027
T31H	CP000536	Orange RAL 2004
T31I	CP000537	Grey RAL 7035
T31L	CP000538	Pink RAL 3015
T31M	CP000539	Light Blue RAL 6027
T31N	CP000540	Brown RAL 8001

**MATERIALS:** Peg in reinforced polypropylene.

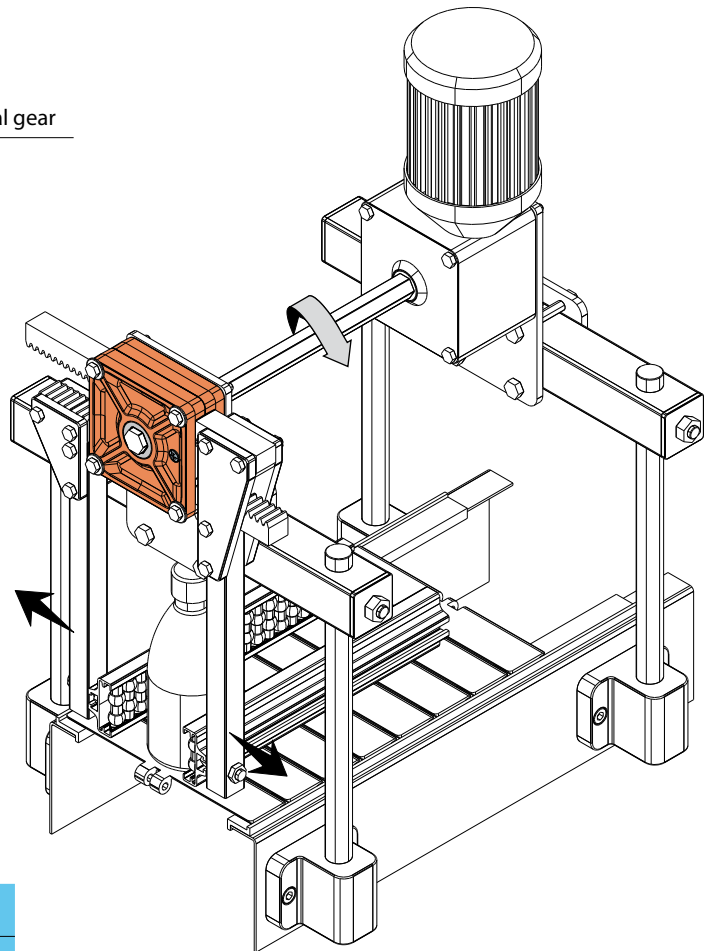
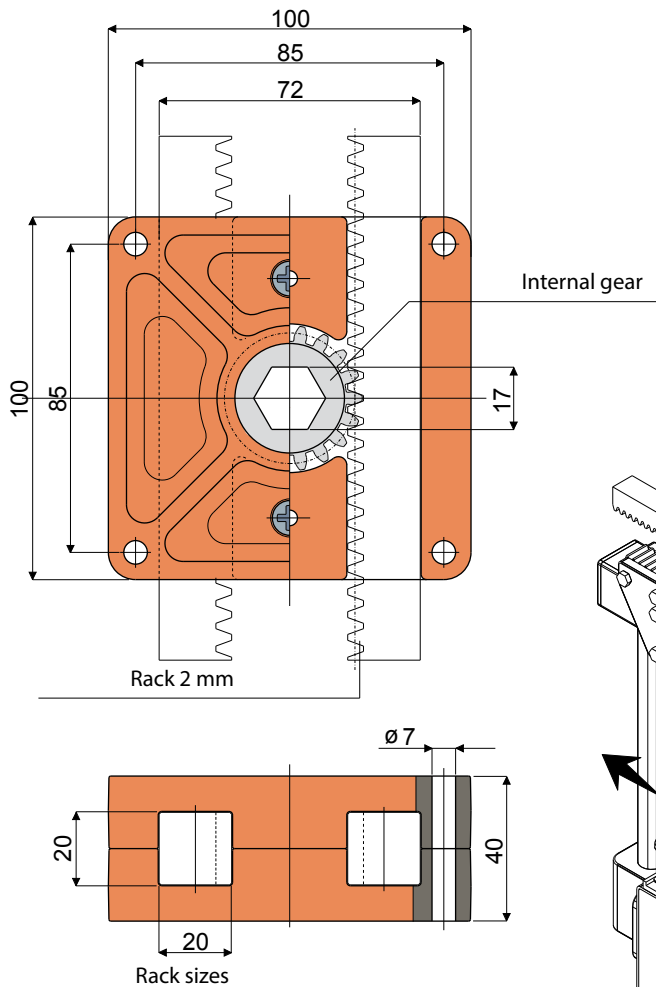
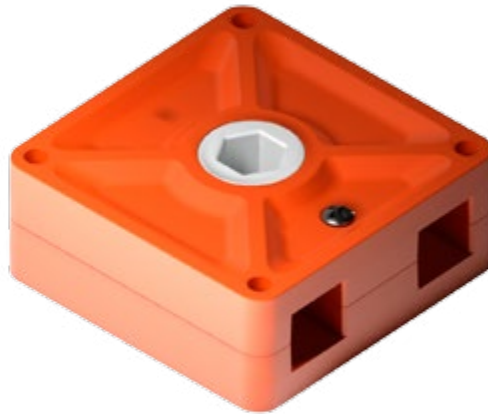
**FEATURES:** To be used as a reference on the transport guides for size changing.

**BOX QUANTITY:** 96 pieces.

**ON REQUEST:**

- Pegs: Can be produced in other colours.
- Box Quantity: According to your request.

Reducer for racks (for the cross adjustment of the side guides) Type: D99



Example of application

Internal gear made of acetal		Internal gear made of brass		Without internal gear	
Type	Code	Type	Code	Type	Code
D99A	CP000541	D99B	CP000542	D99C	CP000543

**MATERIALS:** External body of reducer is made of reinforced polyamide orange colour; self-threading screw is made of stainless steel AISI 304. Available: without internal gear; with internal gear made of acetal, white color; with internal gear made of brass.

**FEATURES:** To be used for the cross adjustment of the side guides while changing the size of the conveyed product.

**BOX QUANTITY:** 24 pieces.

**ON REQUEST:**

- Reducers: In different colours.
- Box Quantity: According to your request.

# SUPPORTS OF POLYAMIDE

