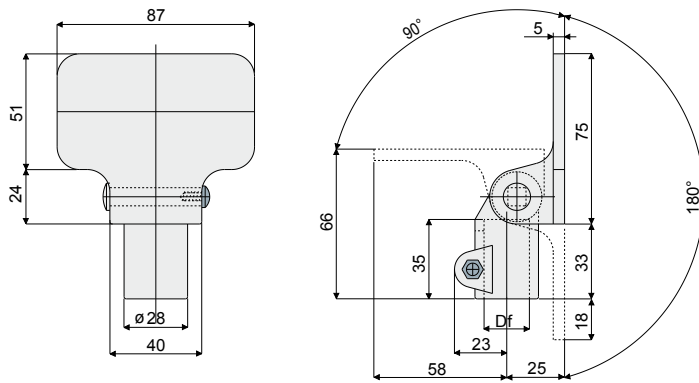
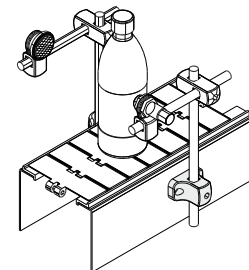
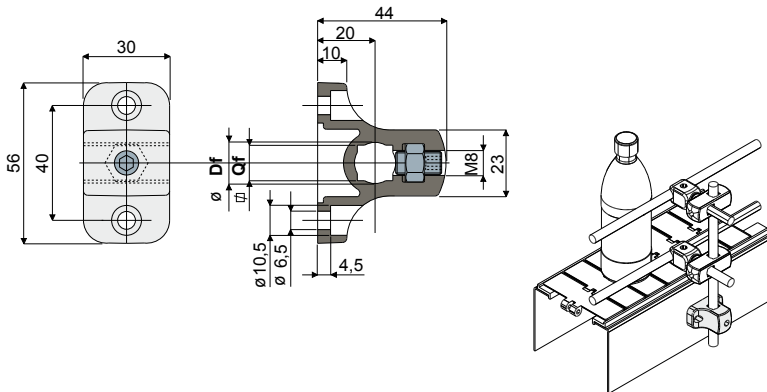


Clamp support for photocells (for photocells and reflectors) Type: D06



Df Bore for pin of (mm)	Type	Code
12	D06A	CP000230 (can be used also with square pins 10x10)
14	D06B	CP000231
15	D06C	CP000232
16	D06D	CP000233
18	D06E	CP000234
20	D06F	CP000235

« T » clamp (to support rails and photocells) Type: D38



Example of application

Bore for pin of		Type	Code
Df round (mm)	Qf square (mm)		
10	8	D38A	CP000236
12	10	D38B	CP000237
14	12	D38C	CP000238

MATERIALS: Clamp made of reinforced polyamide black colour; screw and nuts made of stainless steel AISI 304.

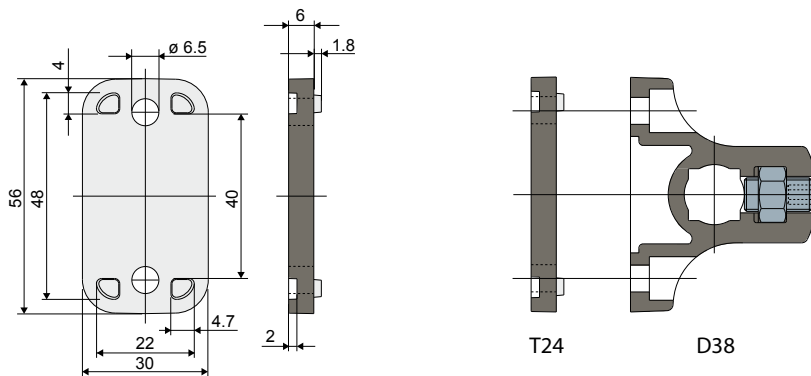
FEATURES: Possibility of assembly in various positions. D38 can be used with round and square pins either.

BOX QUANTITY: 24 pieces.

ON REQUEST:

- Clamps: With different bores sizes, in reinforced polypropylene, other colours.
- Box Quantity: According to your request.

Spacer for clamp (for « T » clamp, D38) Type: T24



Type	Code
T24	CP000239

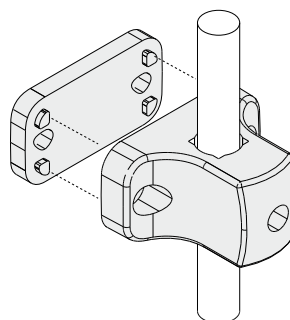
MATERIALS: Spacer made of reinforced polyamide black colour.

FEATURES: Accessory to be applied to "T" clamp, D38.

BOX QUANTITY: 24 pieces.

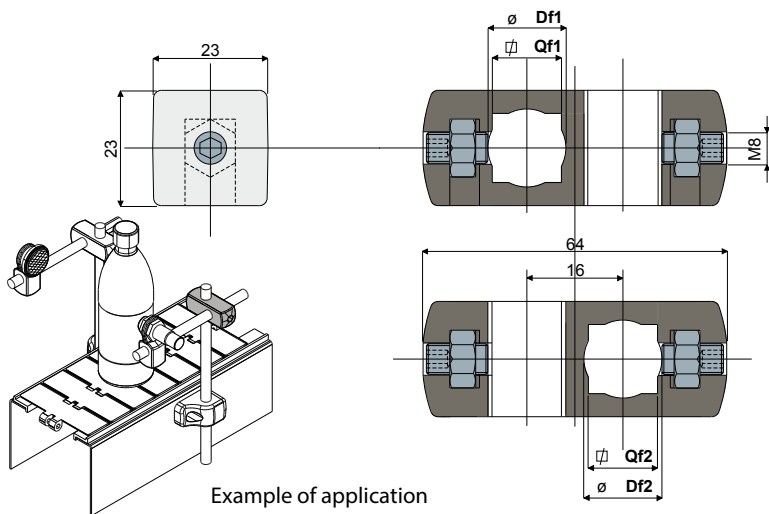
ON REQUEST:

- Spacers: In reinforced polypropylene, other colours.
- Box Quantity: According to your request.



Example of application

Cross clamp Type: D39



Example of application

Bore for pin of		Bore for pin of		Type	Code
Df1 round (mm)	Qf1 square (mm)	Df2 round (mm)	Qf2 square (mm)		
10	8	10	8	D39A	CP000240
12	10	12	10	D39B	CP000241
14	12	14	12	D39C	CP000242

MATERIALS: Clamp made of reinforced polyamide black colour; screws and nuts made of stainless steel AISI 304.

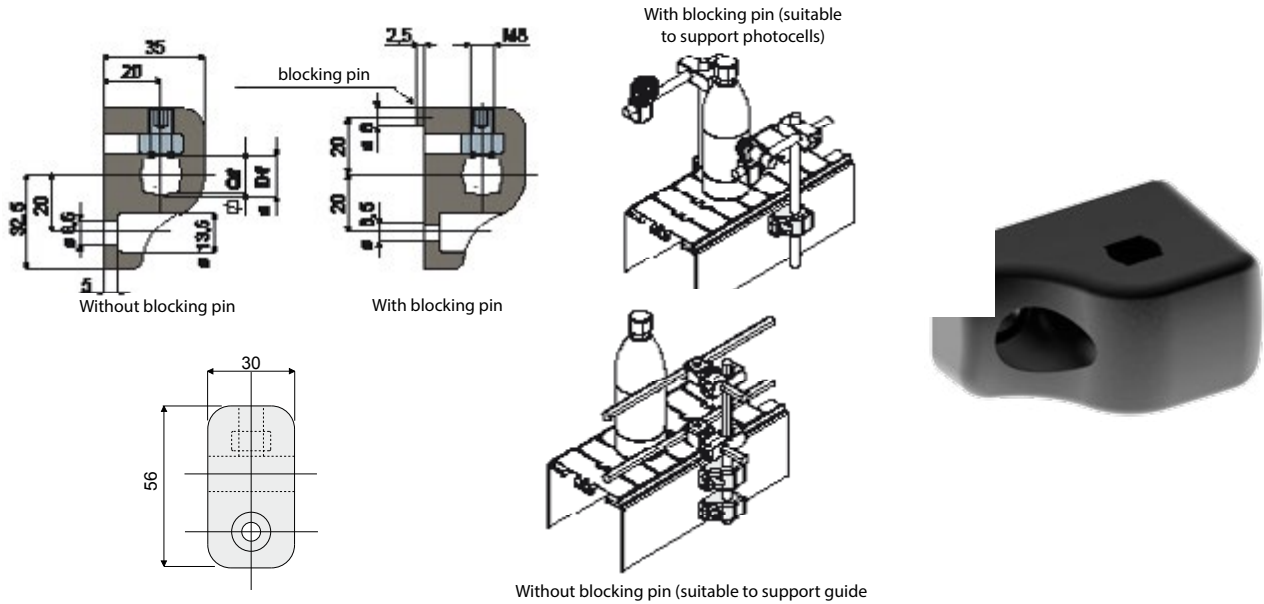
FEATURES: This part can be used with round and square pins either.

BOX QUANTITY: 24 pieces.

ON REQUEST:

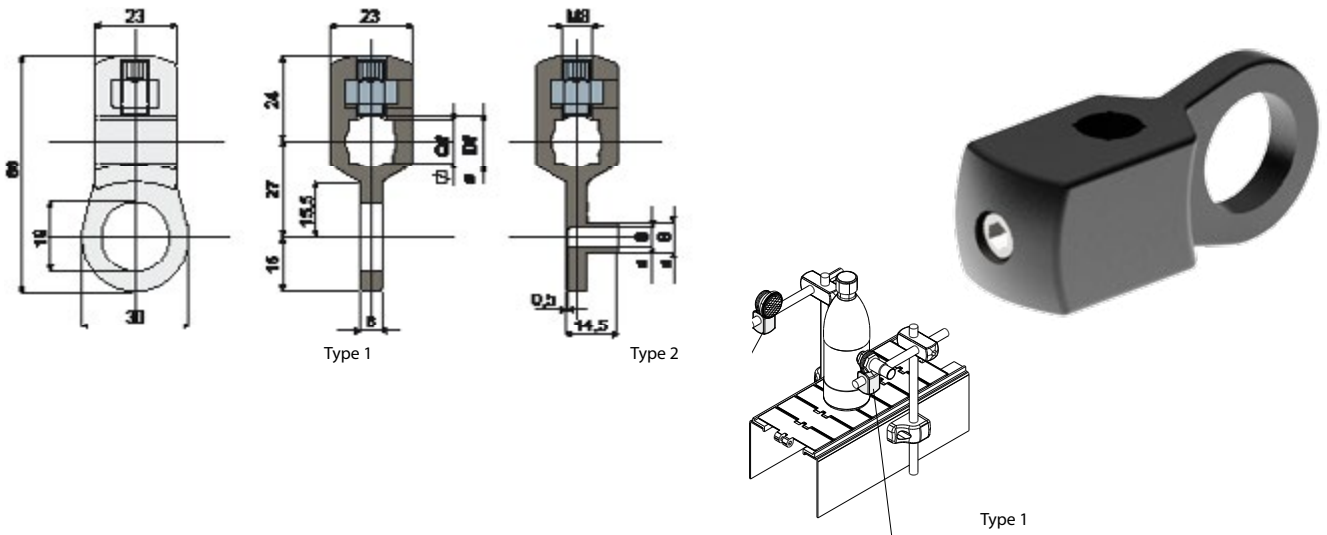
- Clamps: With different bores sizes, in reinforced polypropylene, other colours.
- Box Quantity: According to your request.

Clamp (to support rails et photocells) Type: D37



Bore for pin of		Without blocking pin		With blocking pin	
Df round (mm)	Qf square (mm)	Type	Code	Type	Code
10	8	D37A	CP000243	D37D	CP000246
12	10	D37B	CP000244	D37E	CP000247
14	12	D37C	CP000245	D37F	CP000248

Clamp support for photocells Type: D40



Bore for pin of		Type 1 (for photocells)		Type 2 (for reflectors)	
Df round (mm)	Qf square (mm)	Type	Code	Type	Code
10	8	D40A	CP000249	D40D	CP000252
12	10	D40B	CP000250	D40E	CP000253
14	12	D40C	CP000251	D40F	CP000254

MATERIALS: Clamp made of reinforced polyamide black colour; screw and nuts made of stainless steel AISI 304.

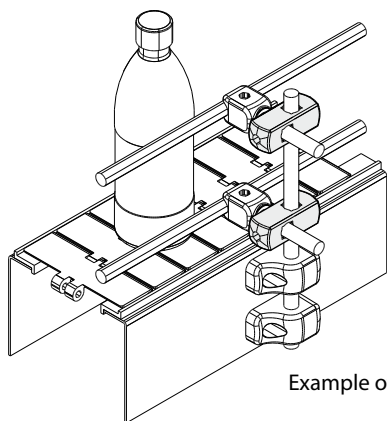
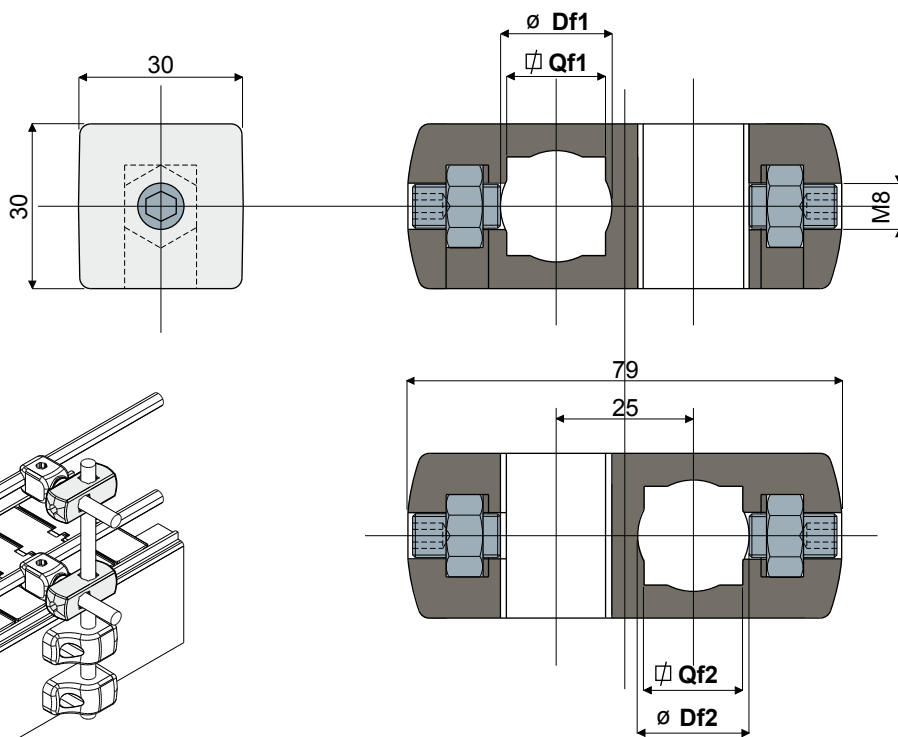
FEATURES: This part can be used with round and square pins either.

BOX QUANTITY: 24 pieces.

ON REQUEST:

- Clamps: With different bores sizes, in reinforced polypropylene, other colours.
- Box Quantity: According to your request.

Cross clamp Type: D41



Example of application

Bore for pin of		Bore for pin of		Type	Code
Df1 round	Qf1 square	Df2 round	Qf2 square		
(mm)	(mm)	(mm)	(mm)		
14	12	14	12	D41A	CP000255
15	-	15	-	D41B	CP000256
16	-	16	-	D41C	CP000257
18	-	18	-	D41D	CP000258
20	-	20	-	D41E	CP000259

MATERIALS: Clamp made of reinforced polyamide black colour; screws and nuts made of stainless steel AISI 304.

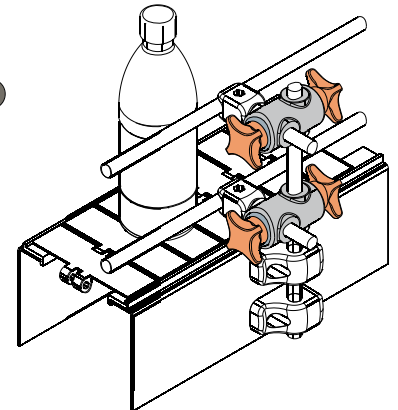
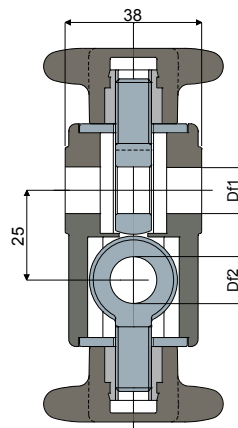
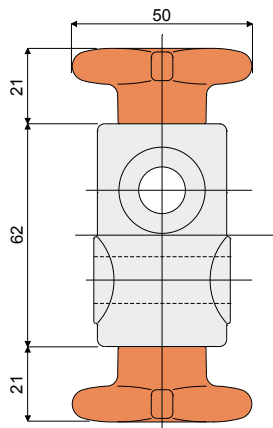
FEATURES: This part can be used with round and square pins either, only in the version Df1 14.

BOX QUANTITY: 24 pieces.

ON REQUEST:

- Clamps: With different bores sizes, in reinforced polypropylene, other colours.
- Box Quantity: According to your request.

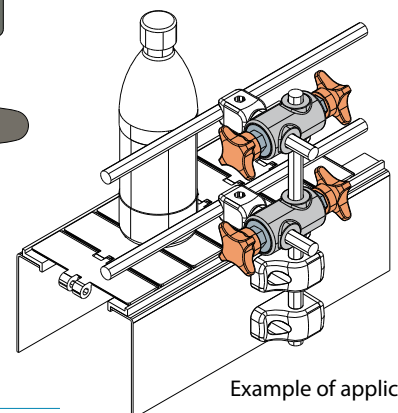
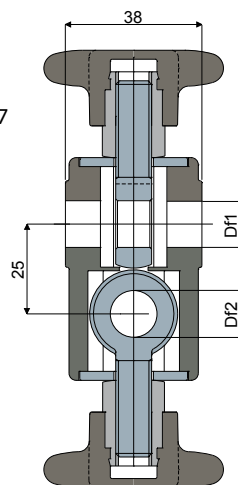
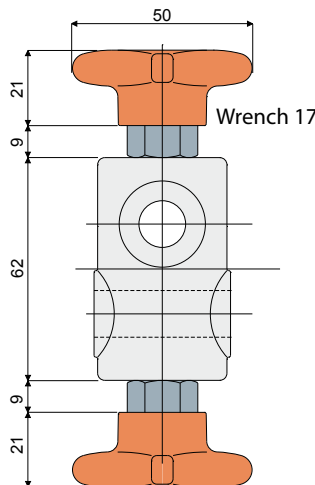
Cross block Type: D97



Example of application

Df1 Bore for pin of (mm)	Df2 Bore for pin of (mm)	Type	Code
12	12	D97	CP000260

Cross block Type: T12



Example of application

Df1 Bore for pin of (mm)	Df2 Bore for pin of (mm)	Type	Code
12	12	T12A	CP000261
14	14	T12B	CP000262
16	16	T12C	CP000263

MATERIALS: Housing in reinforced polyamide black colour and knob in reinforced polyamide orange colour; eyebolts in stainless steel AISI 304; threaded insert in nickel plated brass.

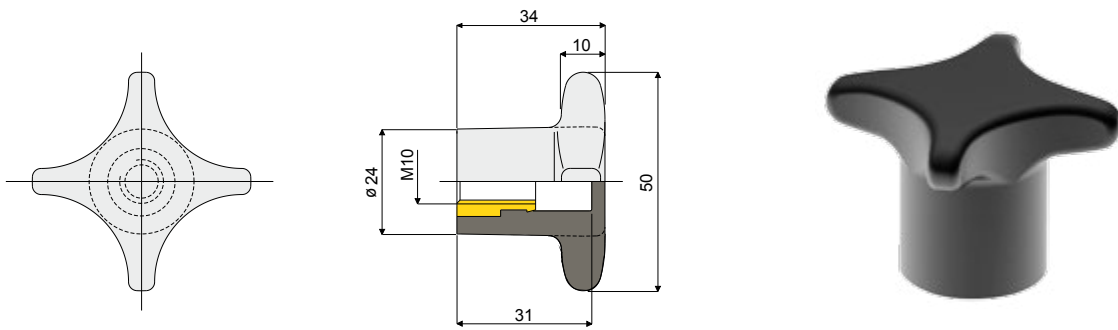
FEATURES: To be used to support the rail-holder pins.

BOX QUANTITY: 24 pieces.

ON REQUEST:

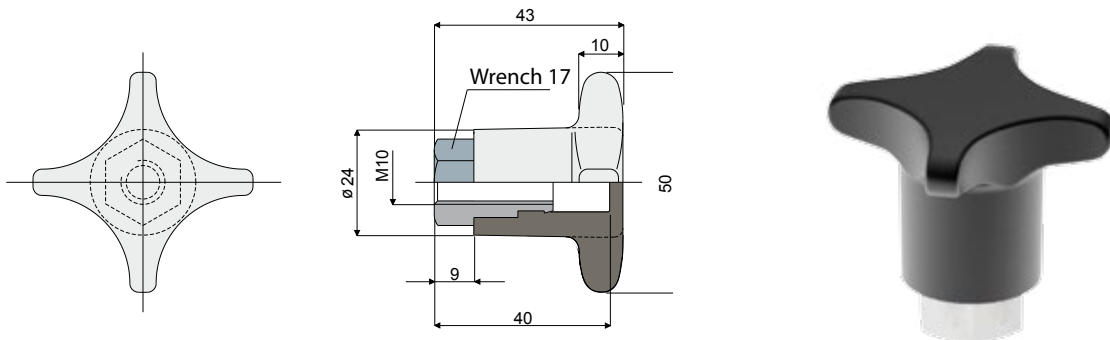
- Housings and Knobs: in reinforced polypropylene, other colours.
- Box Quantity: According to your request.

Knob for bracket Type: D26



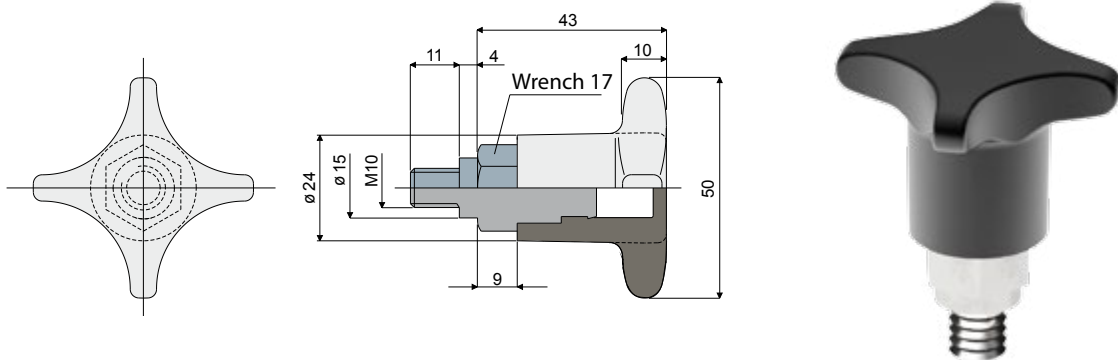
Type	Code
D26	CP000264

Knob for bracket Type: D27



Type	Code
D27	CP000265

Knob for bracket Type: D28



Type	Code
D28	CP000266

MATERIALS: Knob made of reinforced polyamide black colour; threaded bushing made of brass.

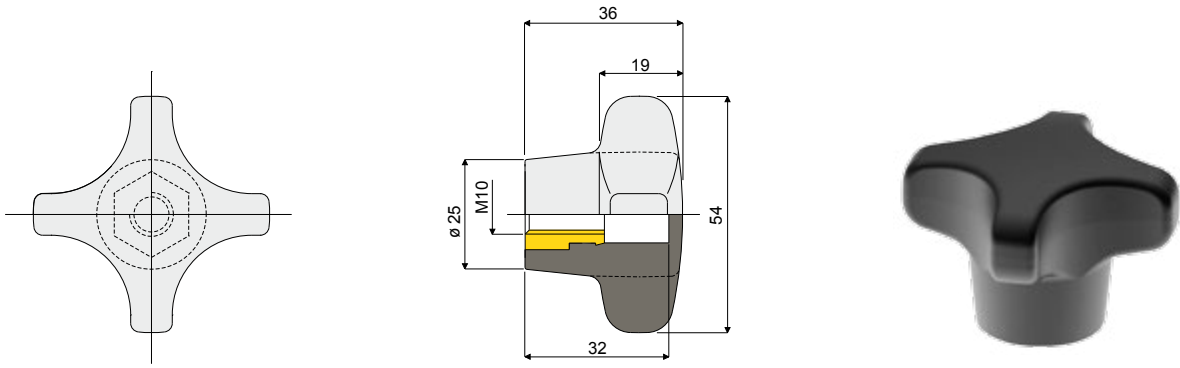
FEATURES: Accessories D26, D7 are used with heads D21 and D66, while D28 is used with heads D23.

BOX QUANTITY: 24 pieces.

ON REQUEST:

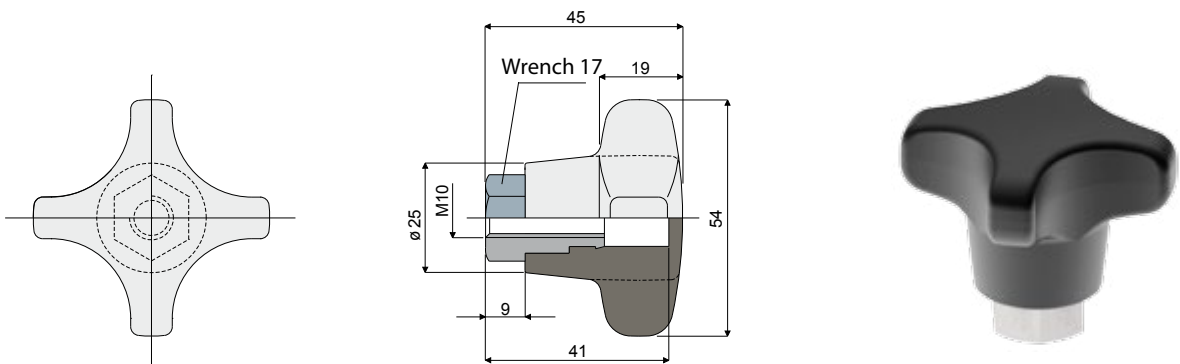
- Knobs: In reinforced polypropylene, other colours.
- Box Quantity: According to your request.

Knob for bracket (reinforced type) Type: D46



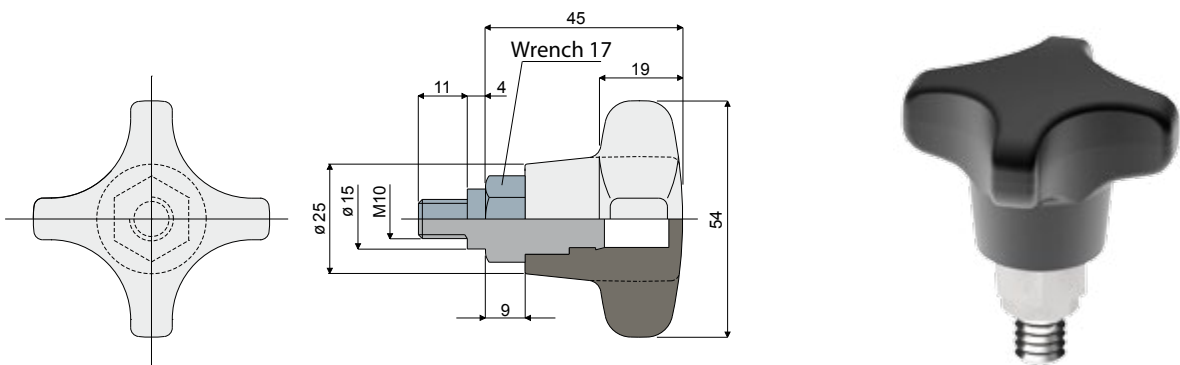
Type	Code
D46	CP000267

Knob for bracket (reinforced type) Type: D47



Type	Code
D47	CP000268

Knob for bracket (reinforced type) Type: D48



Type	Code
D48	CP000269

MATERIALS: Knob made of reinforced polyamide black colour; threaded bushing is made of brass.

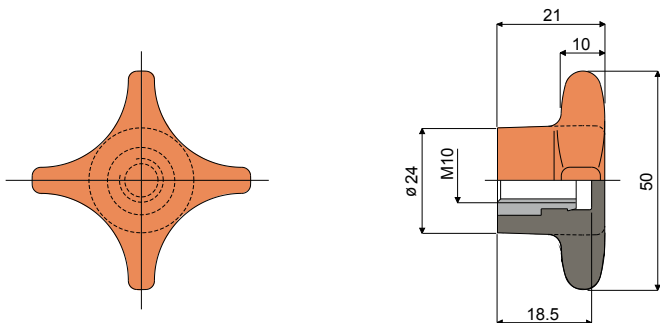
FEATURES: Accessories D46, D47 are applied to our heads D21 and D66., while D48 is applied to D23.

BOX QUANTITY: 24 pieces.

ON REQUEST:

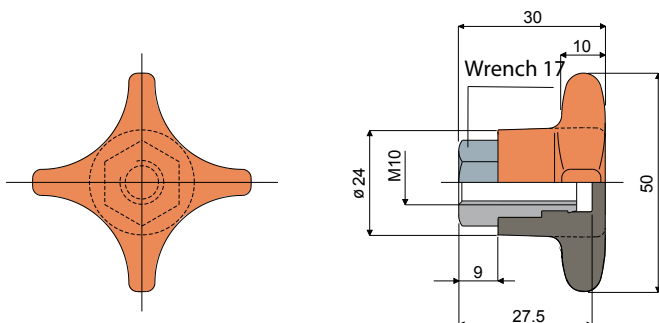
- Knobs: In reinforced polypropylene, other colours.
- Box Quantity: According to your request.

Knob for bracket (short type) Type: T13



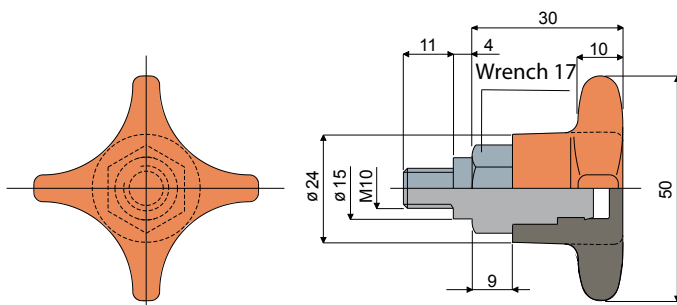
Type	Code
T13	CP000270

Manette de serrage (short type) Type: T14



Type	Code
T14	CP000271

Manette de serrage (short type) Type: T15



Type	Code
T15	CP000272

MATERIALS: Knob made of reinforced polyamide orange colour; threaded bushing made of nickel plated brass.

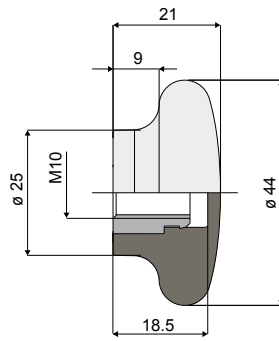
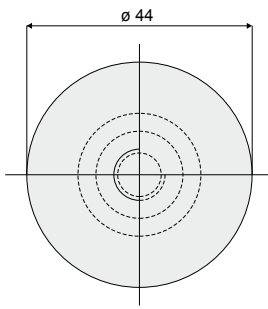
FEATURES: Accessories T13, T14 are used with heads D21 and D66, while T15 is used with D23.

BOX QUANTITY: 24 pieces.

ON REQUEST:

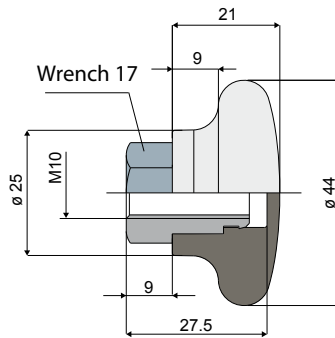
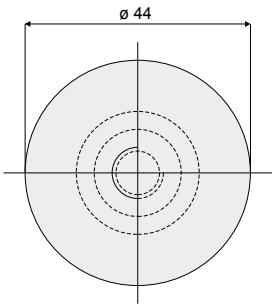
- Knobs: In reinforced polypropylene, other colours.
- Box Quantity: According to your request.

Round handle (ø 44 mm) Type: T34



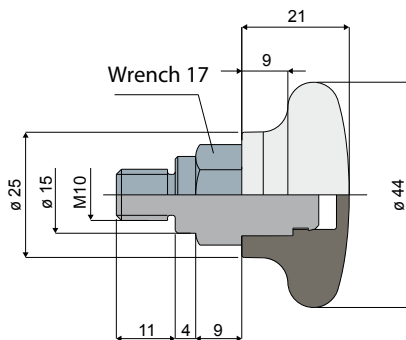
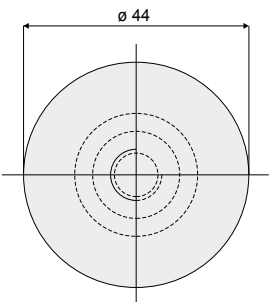
Type	Code
T34	CP000273

Round handle (ø 44 mm) Type: T37



Type	Code
T37	CP000274

Round handle (ø 44 mm) Type: T38



Type	Code
T38	CP000275

MATERIALS: Handle made of reinforced polyamide black colour; threaded bushing made of nickel plated brass.

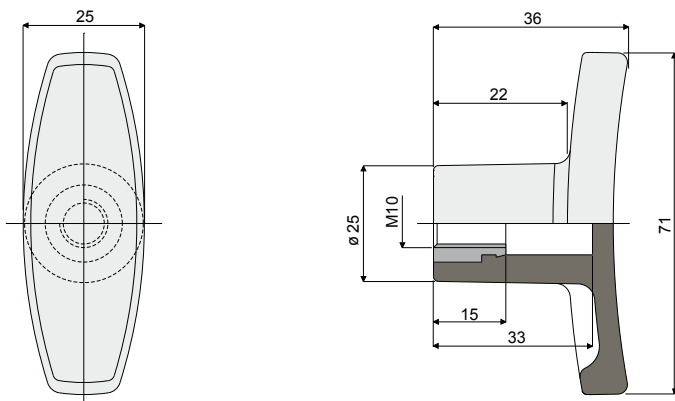
FEATURES: Accessories T36, T37 are used with heads D21 and D66, while T38 is used with D23.

BOX QUANTITY: 24 pieces.

ON REQUEST:

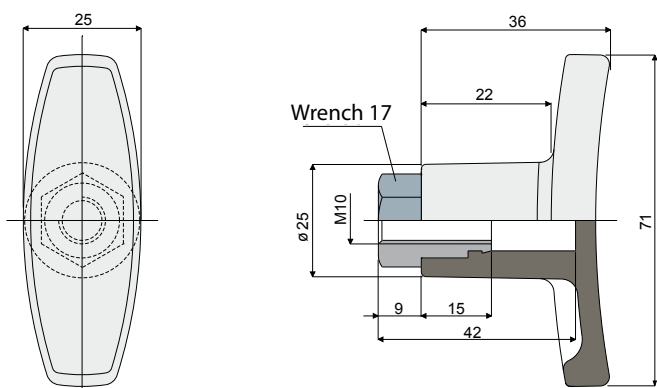
- Handles: In reinforced polypropylene, other colours.
- Box Quantity: According to your request.

"T" handle Type: T03



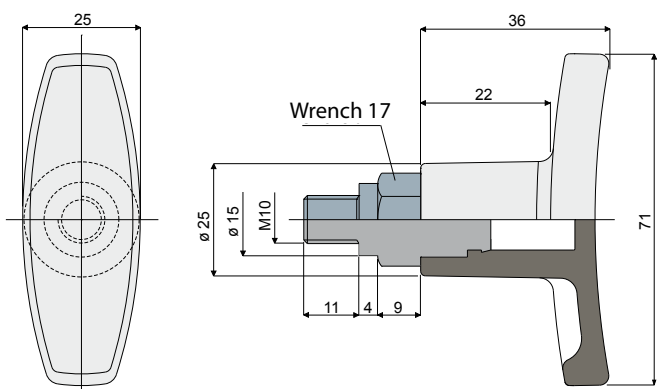
Type	Code
T03	CP000276

"T" handle Type: T04



Type	Code
T04	CP000277

"T" handle Type: T05



Type	Code
T05	CP000278

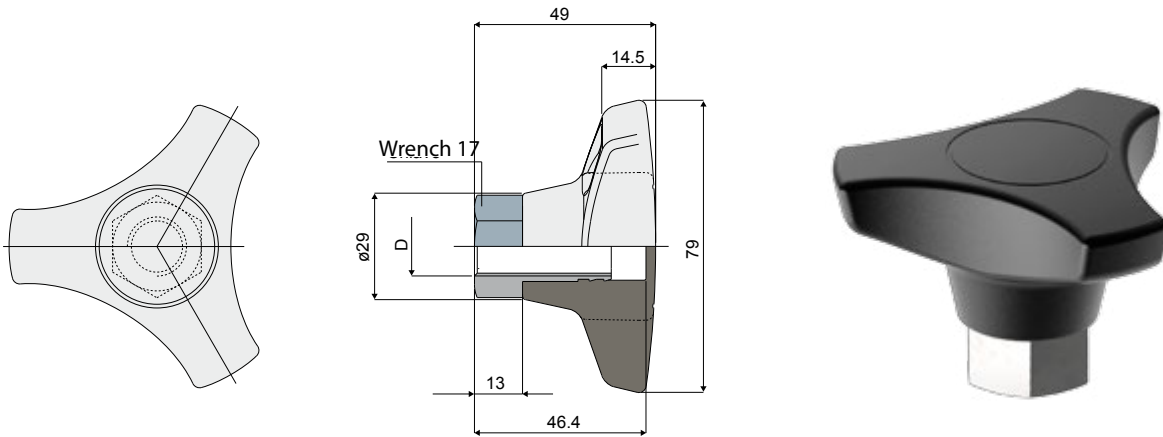
MATERIALS: Handle is made of reinforced polyamide black colour; threaded bushing is made of nickel plated brass.

BOX QUANTITY: 24 pieces.

ON REQUEST:

- Handles: made of reinforced polypropylene, other colours.
- Box Quantity: According to your request.

Knob Type: T50



MATERIALS: Knob made of reinforced polyamide black colour; threaded bushing in nickel plated brass.

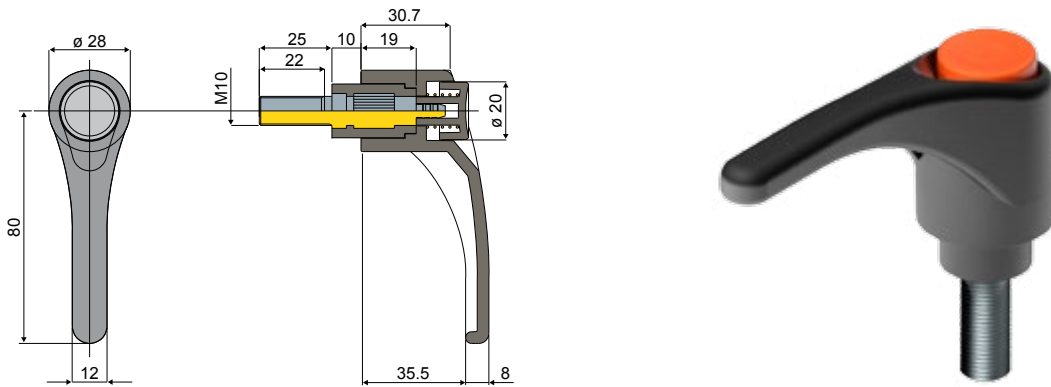
BOX QUANTITY: 24 pieces.

ON REQUEST:

- Knobs: In reinforced polypropylene, other colours, with customized brand.
- Box Quantity: According to your request.

D	Wrench	Type	Code
M12	19	T50A	CP000279
M16	24	T50B	CP000280

Ratchet handle calmping Type: T32



MATERIALS: Handle made of reinforced polyamide black colour with push button in orange colour; threaded insert made of zinc plated steel.

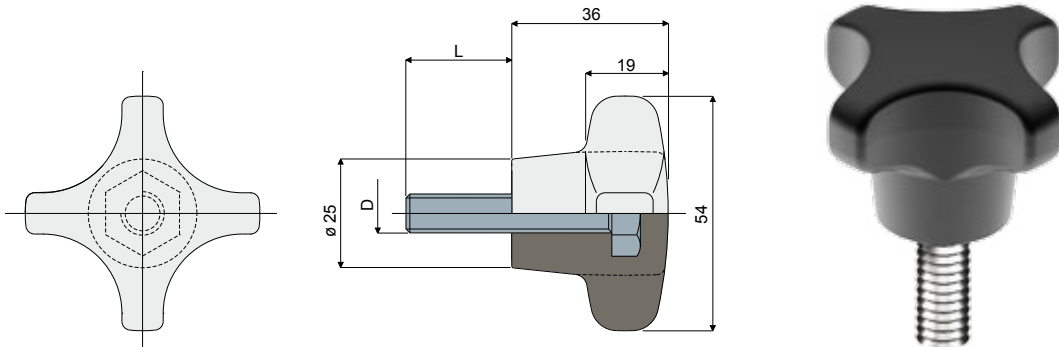
BOX QUANTITY: 24 pieces.

ON REQUEST:

- Handles: With threaded inserts M8, M10, M12, with different lengths; also available in stainless steel AISI 304.
- Box Quantity: According to your request.

Type	Code
T32	CP000281

Knob for bracket (reinforced type) Type: D94



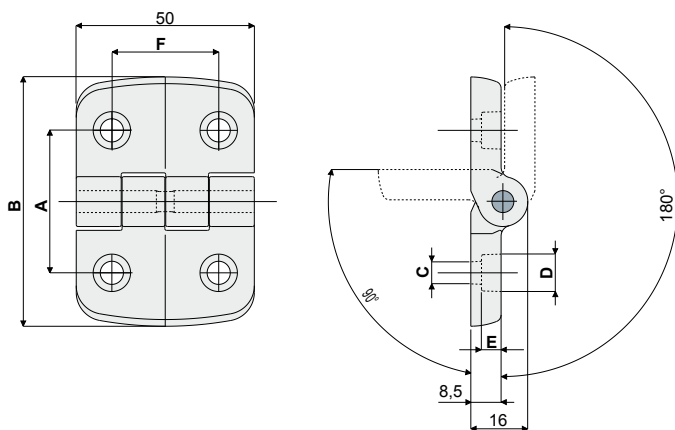
MATERIALS: Knob made of reinforced polyamide black colour; bolt made of stainless steel AISI 304.

BOX QUANTITY: 24 pieces.

ON REQUEST: • Knobs: made of reinforced polypropylene, in other colours. • Box Quantity: According to your request.

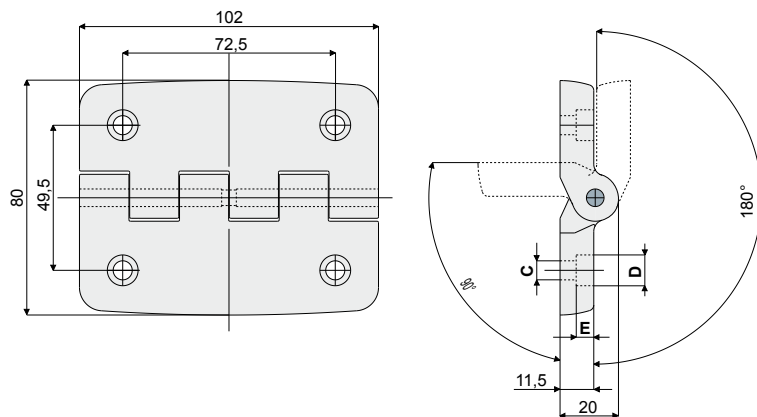
D (mm)	L (mm)	Type	Code
M8	22	D94A	CP000282
M10	22	D94B	CP000283

Hinge Type: D33



A (mm)	B (mm)	C (mm)	D (mm)	E (mm)	F (mm)	Type	Code
34	50	5,5	10,5	3,5	34	D33A	CP000284
31	50	5,5	9	5	30	D33B	CP000285
40	70	6,5	10,5	6	30	D33C	CP000286
46	70	6,5	10,5	6	30	D33D	CP000287
46	70	8,5	13,5	5	30	D33E	CP000288

Hinge Type: D34



C (mm)	D (mm)	E (mm)	Type	Code
6,5	10,5	6	D34A	CP000289
8,5	13,5	8	D34B	CP000290

MATERIALS: Hinge made of reinforced polyamide black colour; pin made of stainless steel AISI 304.

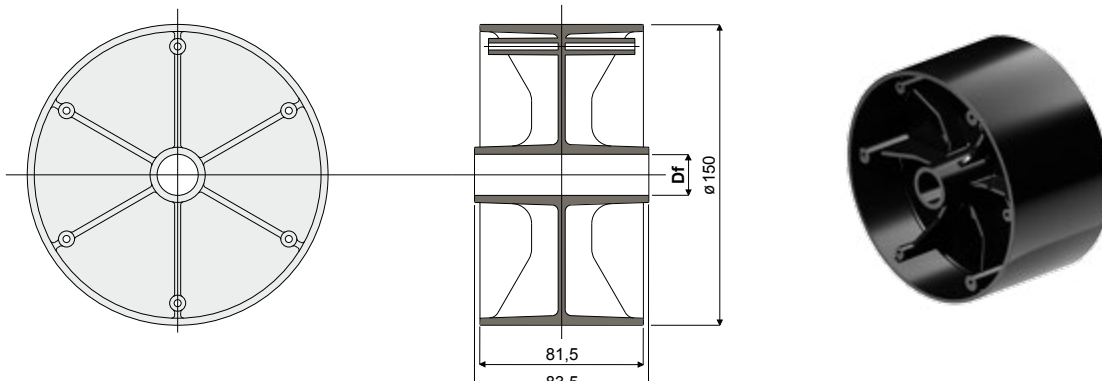
FEATURES: Maximum rotation 270°

BOX QUANTITY: 24 pieces.

ON REQUEST:

- Hinges: In reinforced polypropylene, other colours.
- Box Quantity: According to your request.

Idler wheel for chain return Type: D68



Df Bore for pin of (mm)	Type	Code
20	D68	CP000291

MATERIALS: Wheel in polyamide black colour.

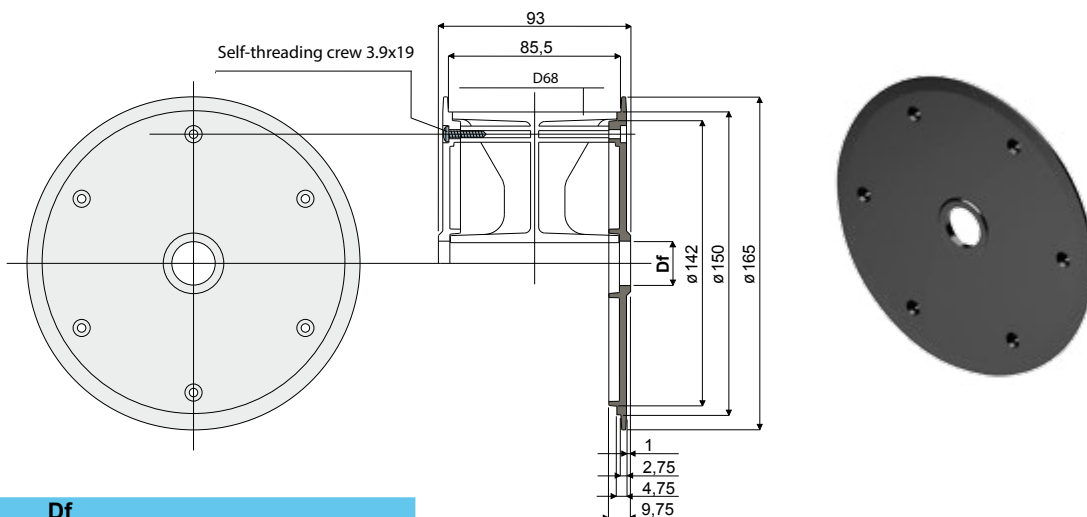
FEATURES: To be assembled in the chain return near to the sprocket.

BOX QUANTITY: 12 pieces.

ON REQUEST:

- Wheels: Other bore sizes, materials and colours.
- Box Quantity: According to your request.

Flange for chain guide (for idler wheel D68) Type: D69



Df Bore for shaft of (mm)	Type	Code
20	D69	CP000292

MATERIALS: Flange is made of polyamide black colour; self-threading screws are made of stainless steel AISI 304.

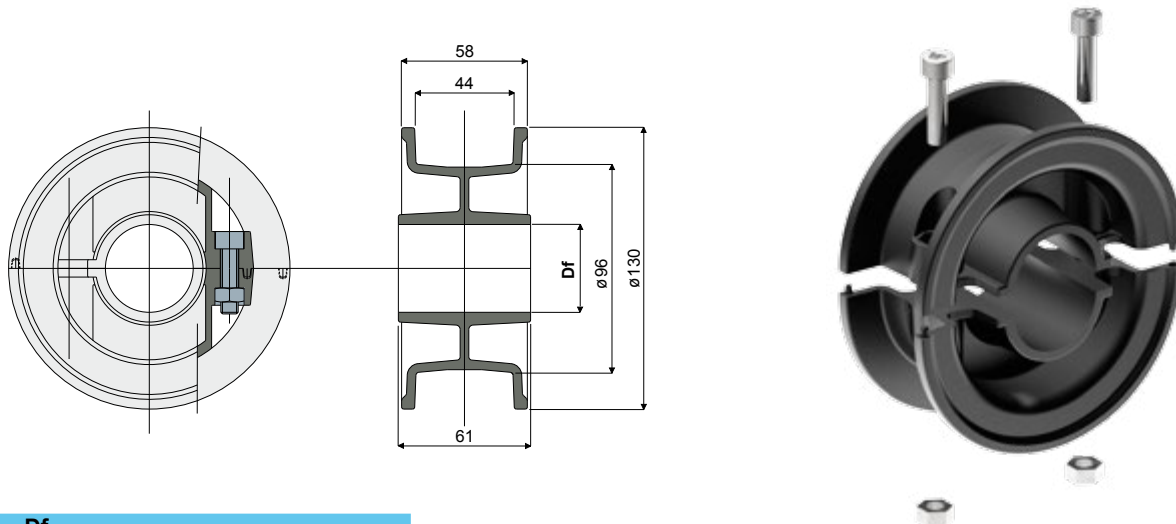
FEATURES: To be assembled to our idler wheel D68 for chain guide. Supplied complete with blocking screws.

BOX QUANTITY: 24 pieces.

ON REQUEST:

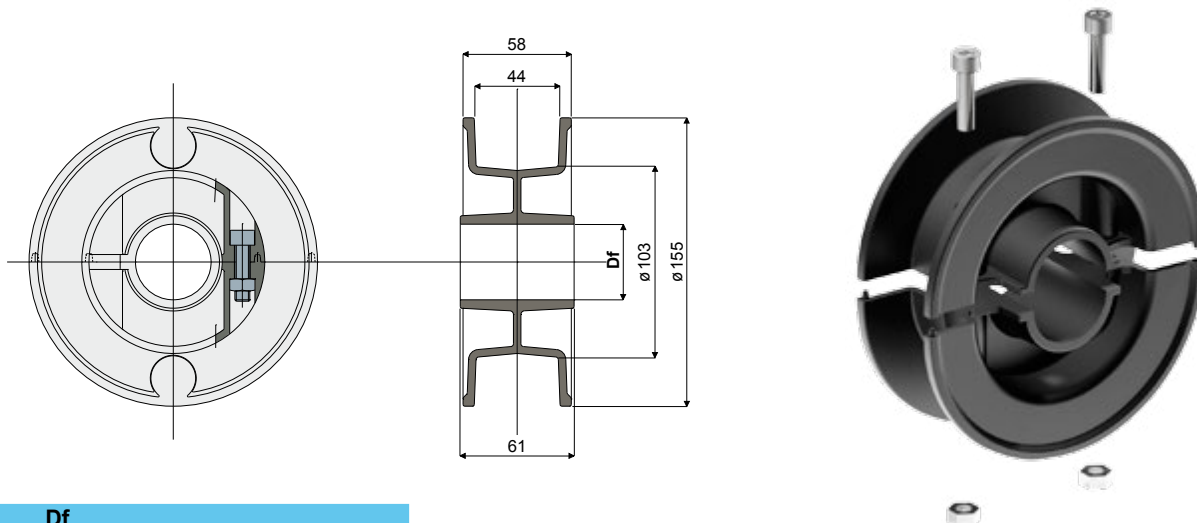
- Flanges: Other bore sizes, materials and colours.
- Box Quantity: According to your request.

Split idler wheel 21 teeth (for chains series 812-815-820-831) Type: T11



Df Bore for shaft of (mm)	Type	Code
25	T11A	CP000293
30	T11B	CP000294
35	T11C	CP000295
40	T11D	CP000296

Split idler wheel 25 teeth (for chains series 812-815-820-831) Type: D85



Df Bore for pin of (mm)	Type	Code
25	D85A	CP000297
30	D85B	CP000298
35	D85C	CP000299
40	D85D	CP000300

MATERIALS: Wheel made of polyamide black colour; bolts and nuts made of stainless steel AISI 304.

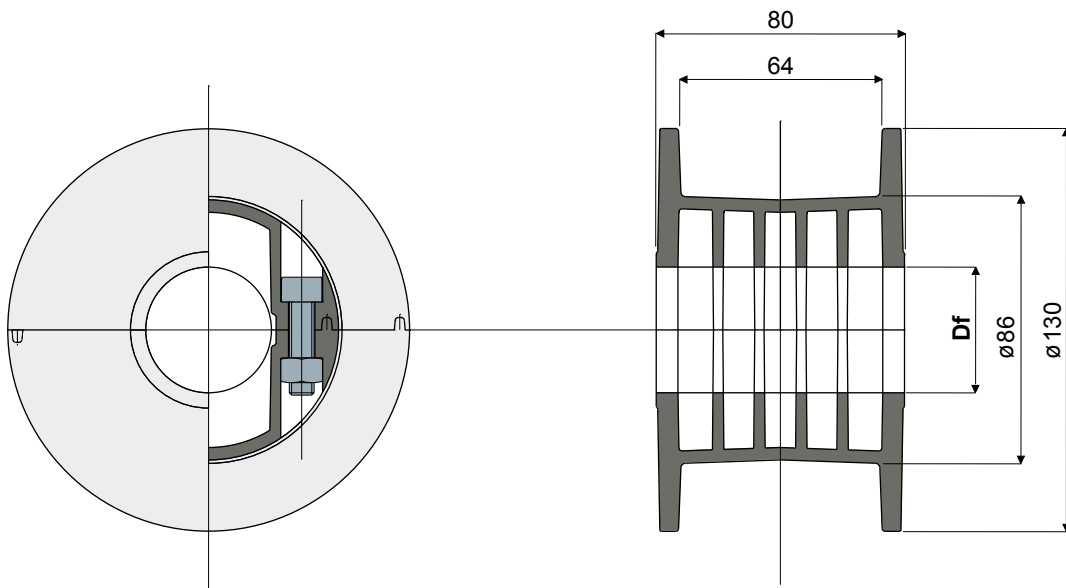
FEATURES: Supplied assembled. To be used for chain return in the series 812, 815, 820, 831.

BOX QUANTITY: 12 pieces.

ON REQUEST:

- Wheels: With special bores, other colours.
- Box Quantity: According to your request.

Split idler wheel 25 teeth (for chains series 879 Tab, 880 Tab, 881 Tab) Type: T10



Df Bore for shaft of (mm)	Type	Code
20	T10A	CP000301
25	T10B	CP000302
30	T10C	CP000303
35	T10D	CP000304
40	T10E	CP000305

MATERIALS: Wheel made of polyamide black colour; bolts and nuts made of stainless steel AISI 304.

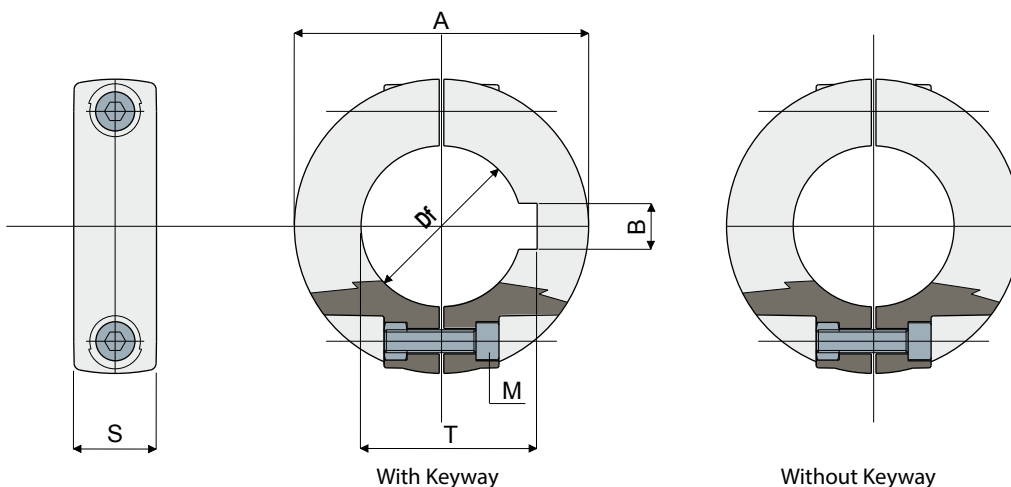
FEATURES: Supplied assembled. To be used for chain return in series 879 Tab, 880 Tab and 881 Tab.

BOX QUANTITY: 12 pieces.

ON REQUEST:

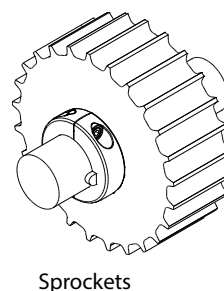
- Wheels: With special bores, other colours.
- Box Quantity: According to your request.

Bagues d'arret Type: D88

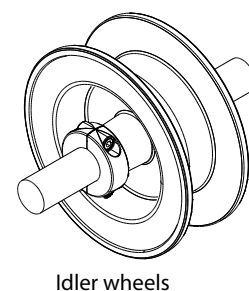


With Keyway							
Df (mm)	A (mm)	S (mm)	M (mm)	B (mm)	T (mm)	Type	Code
20	40	14	M4	6	22,8	D88A	CP000306
25	50	14	M5	8	28,3	D88B	CP000307
30	50	14	M5	8	33,3	D88C	CP000308
35	65	14	M5	10	38,3	D88D	CP000309
40	65	14	M5	12	43,3	D88E	CP000310

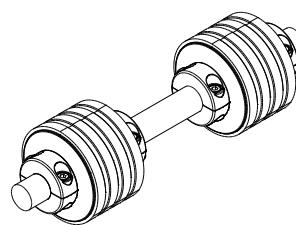
Without Keyway					
Df (mm)	A (mm)	S (mm)	M (mm)	Type	Code
12	35	13	M4	D88F	CP000311
14	35	13	M4	D88G	CP000312
16	35	13	M4	D88H	CP000313
18	40	14	M4	D88I	CP000314
20	40	14	M4	D88L	CP000315
25	50	14	M5	D88M	CP000316
30	50	14	M5	D88N	CP000317
35	65	14	M5	D88O	CP000318
40	65	14	M5	D88P	CP000319



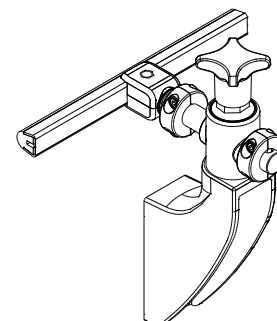
Sprockets



Idler wheels



rollers for chain return



guide rail bracket

MATERIALS: Collars made out of reinforced polyamide black colour; bolt and nuts made out of stainless steel AISI 304.

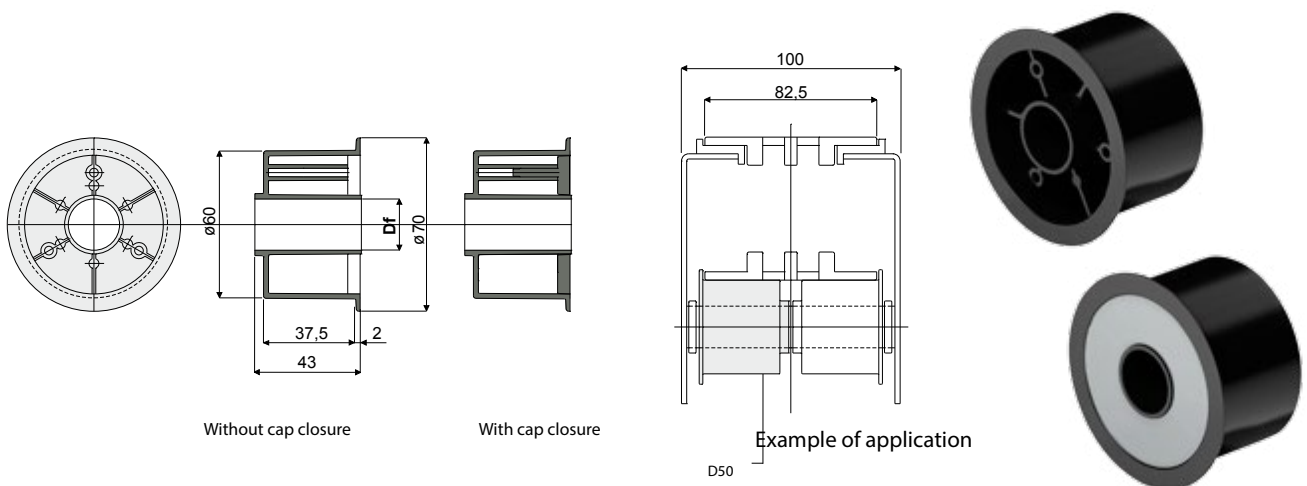
FEATURES: Supplied assembled. To be assembled on the shaft to obtain wheels axial blocking; to be assembled on pins for guides supporting to adjust the position of guides according to the bottle size.

BOX QUANTITY: 96 pieces.

ON REQUEST: • Collars: With special bores, other colours. • Box Quantity: According to your request.

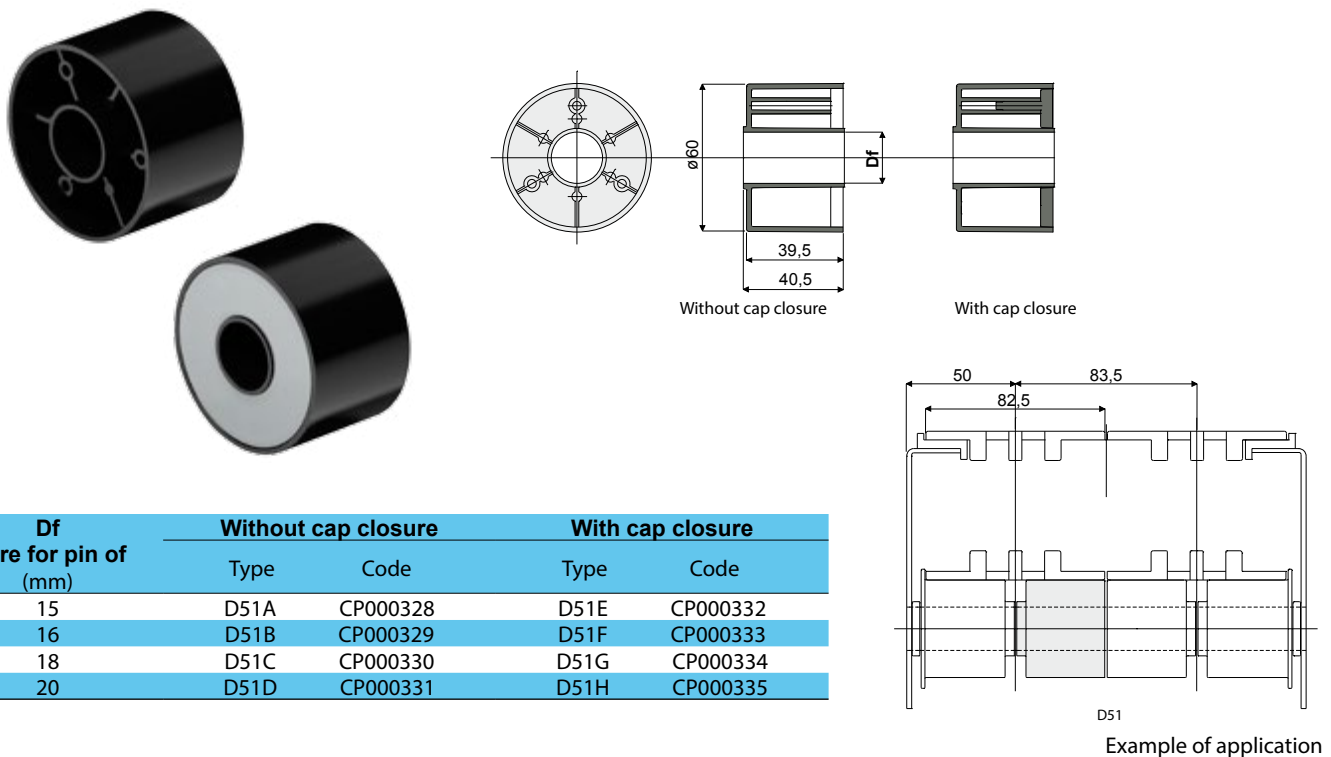
Example of applications

Roller for chain return (with flange) Type: D50



Df Bore for pin of (mm)	Without cap closure		With cap closure	
	Type	Code	Type	Code
15	D50A	CP000320	D50E	CP000324
16	D50B	CP000321	D50F	CP000325
18	D50C	CP000322	D50G	CP000326
20	D50D	CP000323	D50H	CP000327

Roller for chain return (without flange) Type: D51



Df Bore for pin of (mm)	Without cap closure		With cap closure	
	Type	Code	Type	Code
15	D51A	CP000328	D51E	CP000332
16	D51B	CP000329	D51F	CP000333
18	D51C	CP000330	D51G	CP000334
20	D51D	CP000331	D51H	CP000335

MATERIALS: Roller made out of polyamide black colour; cap made out of polyamide grey colour.

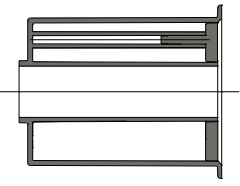
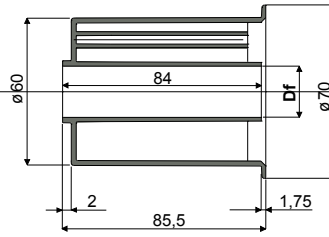
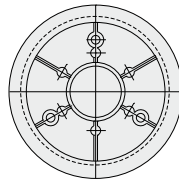
FEATURES: To be assembled in the chain return.

BOX QUANTITY: 96 pieces.

ON REQUEST:

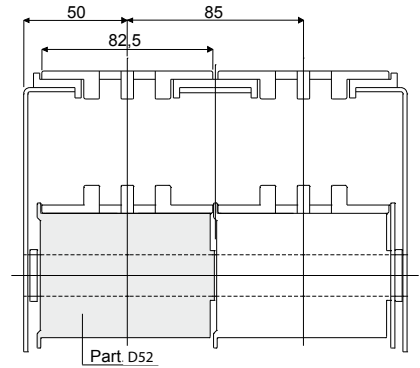
- Rollers: Special bores, other colours.
- Box Quantity: According to your request.

Roller for chain return (with flange) Type: D52



Without cap closure

With cap closure

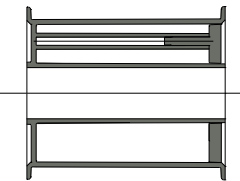
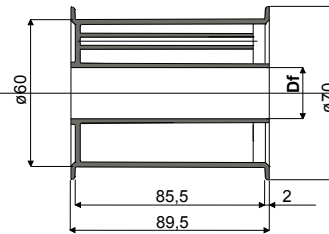
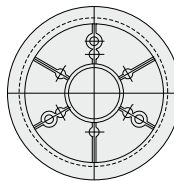


Part D52

Example of application

Df Bore for pin of (mm)	Without cap closure		With cap closure	
	Type	Code	Type	Code
12	D52A	CP000336	D52I	CP000344
14	D52B	CP000337	D52L	CP000345
15	D52C	CP000338	D52M	CP000346
16	D52D	CP000339	D52N	CP000347
18	D52E	CP000340	D52O	CP000348
20	D52F	CP000341	D52P	CP000349
25	D52G	CP000342	-	-
30	D52H	CP000343	-	-

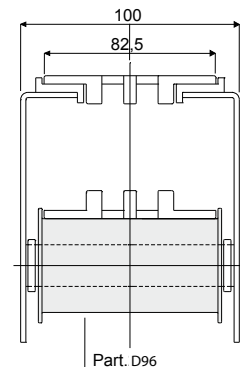
Roller for chain return (with double flange) Type: D96



Without cap closure

With cap closure

Example of application



Part D96

Df Bore for pin of (mm)	Without cap closure		With cap closure	
	Type	Code	Type	Code
12	D96A	CP000350	D96G	CP000356
14	D96B	CP000351	D96H	CP000357
15	D96C	CP000352	D96I	CP000358
16	D96D	CP000353	D96L	CP000359
18	D96E	CP000354	D96M	CP000360
20	D96F	CP000355	D96N	CP000361

MATERIALS: Roller made out of polyamide black colour; cap made out of polyamide grey colour.

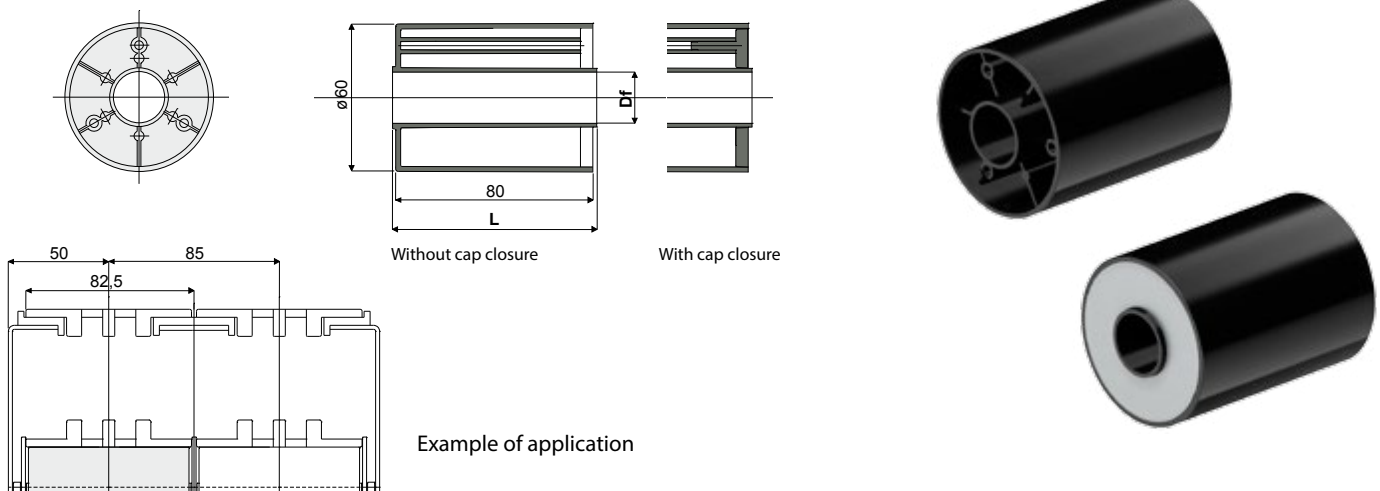
FEATURES: To be assembled in the chain return.

BOX QUANTITY: 48 pieces.

ON REQUEST:

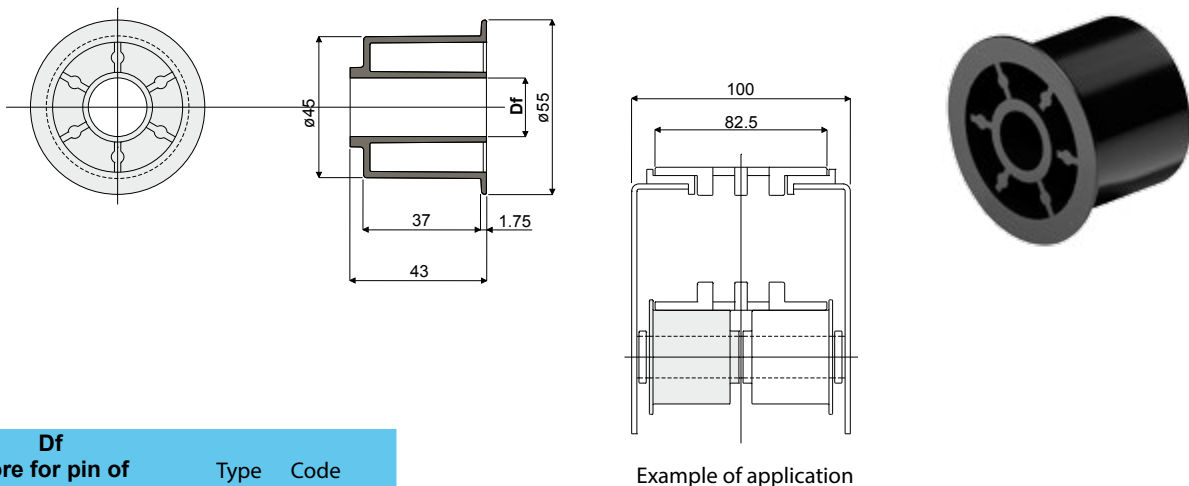
- Rollers: Special bores, other colours.
- Box Quantity: According to your request.

Roller for chain return (without flange) Type: D53



Df Bore for pin of (mm)	Without cap closure				With cap closure			
	L = 82 mm		L = 84 mm		L = 82 mm		L = 84 mm	
	Type	Code	Type	Code	Type	Code	Type	Code
12	D53A	CP000362	D53G	CP000368	D53Q	CP000376	D53Z	CP000382
14	D53B	CP000363	D53H	CP000369	D53R	CP000377	D53W	CP000383
15	D53C	CP000364	D53I	CP000370	D53S	CP000378	D53X	CP000384
16	D53D	CP000365	D53L	CP000371	D53T	CP000379	D53Y	CP000385
18	D53E	CP000366	D53M	CP000372	D53U	CP000380	D53J	CP000386
20	D53F	CP000367	D53N	CP000373	D53V	CP000381	D53K	CP000387
25	-	-	D53O	CP000374	-	-	-	-
30	-	-	D53P	CP000375	-	-	-	-

Roller for chain return (with flange) Type: D70



Df Bore for pin of (mm)	Type	Code
15	D70A	CP000388
20	D70B	CP000389

MATERIALS: Roller made out of polyamide black colour; cap made out of polyamide grey colour.

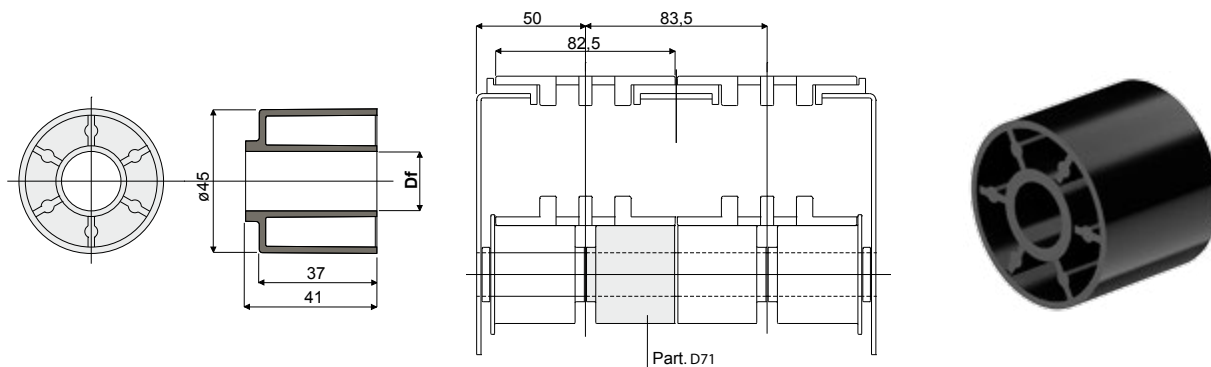
FEATURES: To be assembled in the chain return.

BOX QUANTITY: D53: 48 pieces. D70: 96 pieces.

ON REQUEST:

- Rollers: Special bores, other colours.
- Box Quantity: According to your request.

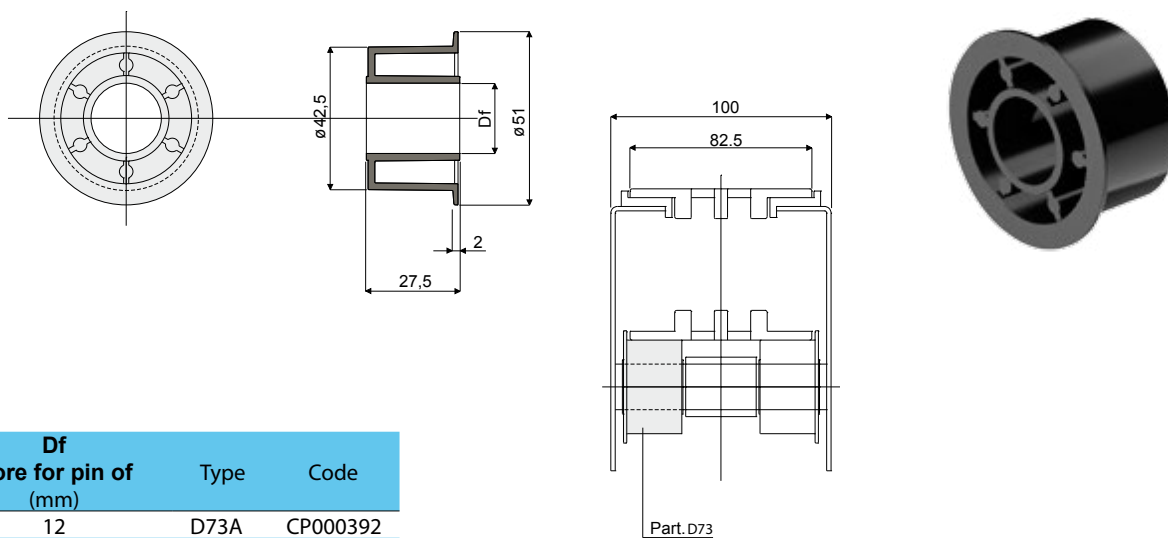
Roller for chain return (without flange) Type: D71



Example of application

Df Bore for pin of (mm)	Type	Code
15	D71A	CP000390
20	D71B	CP000391

Roller for chain return (with flange) Type: D73



Example of application

Df Bore for pin of (mm)	Type	Code
12	D73A	CP000392
16	D73B	CP000393
18	D73C	CP000394
20	D73D	CP000395

MATERIALS: Roller made of polyamide black colour.

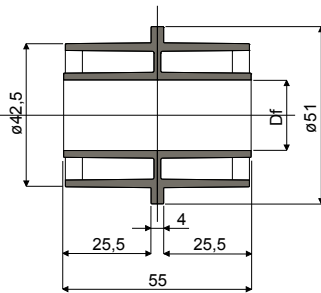
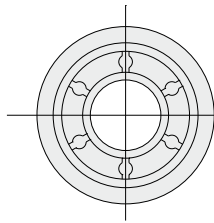
FEATURES: To be assembled in the chain return.

BOX QUANTITY: 96 pieces.

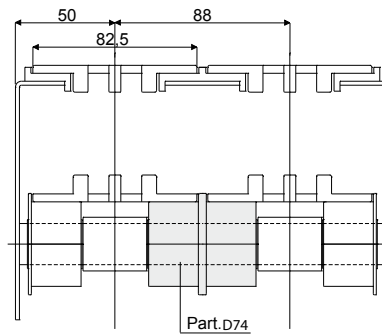
ON REQUEST:

- Rollers: Special bores, other colours.
- Box Quantity: According to your request.

Double roller for chain return (with central flange) Type: D74

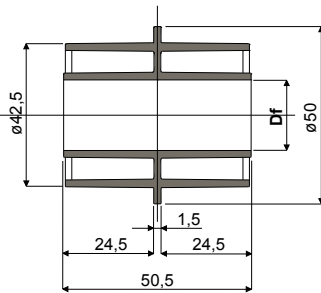
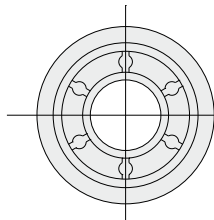


Df Bore for pin of (mm)	Type	Code
12	D74A	CP000396
16	D74B	CP000397
18	D74C	CP000398
20	D74D	CP000399

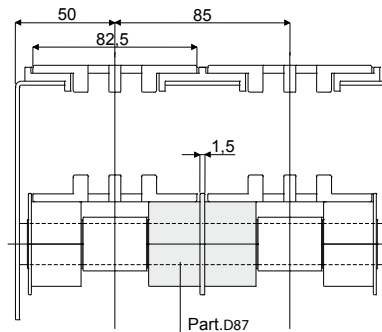


Example of application

Double roller for chain return (with central flange) Type: D87



Df Bore for pin of (mm)	Type	Code
12	D87A	CP000400
16	D87B	CP000401
18	D87C	CP000402
20	D87D	CP000403



Example of application

MATERIALS: Roller made of polyamide black colour.

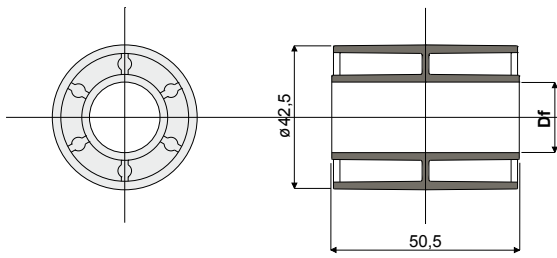
FEATURES: To be assembled in the chain return.

BOX QUANTITY: 96 pieces.

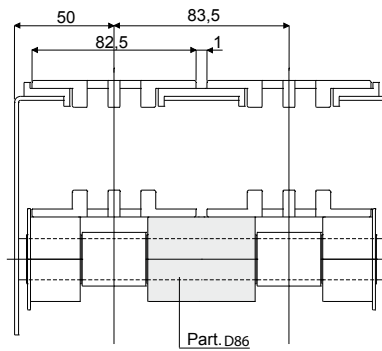
ON REQUEST:

- Rollers: Special bores, other colours.
- Box Quantity: According to your request.

Double roller for chain return (without central flange) Type: D86

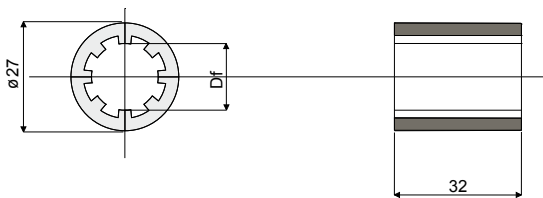


Df Bore for pin of (mm)	Type	Code
12	D86A	CP000404
16	D86B	CP000405
18	D86C	CP000406
20	D86D	CP000407

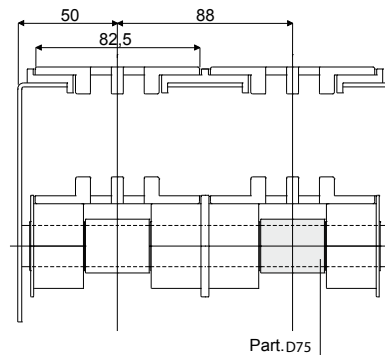


Example of application

Spacer for rollers for chain return Type: D75



Df Bore for pin of (mm)	Type	Code
12	D75A	CP000408
16	D75B	CP000409
18	D75C	CP000410
20	D75D	CP000411



Example of application

MATERIALS: Roller made of polyamide black colour.

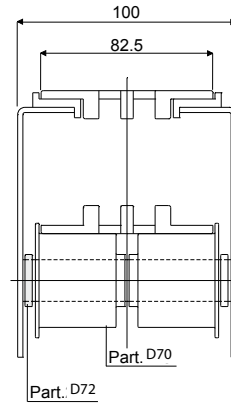
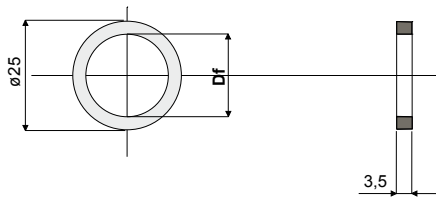
FEATURES: D86 is used in the chain return, while D75 is used like roller's spacer.

BOX QUANTITY: 96 pieces.

ON REQUEST:

- Rollers: Special bores, other colours.
- Box Quantity: According to your request.

Spacer for rollers for chain return Type: D72



Example of application

Df Bore for pin of (mm)	Type	Code
15	D72A	CP000412
20	D72B	CP000413

MATERIALS: Spacer made of polyamide black colour.

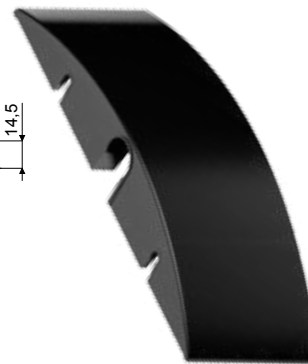
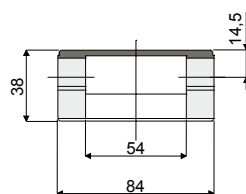
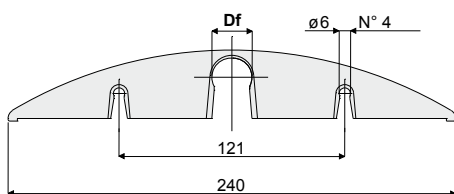
FEATURES: To be assembled in the chain return.

BOX QUANTITY: 96 pieces.

ON REQUEST:

- Spacers: Special bores, other colours.
- Box Quantity: According to your request.

Self-adjusting sliding shoe for chain return Type: D67



Df Bore for pin of (mm)	Polyamide (black colour)		Polyethylene (green colour)	
	Type	Code	Type	Code
18	D67A	CP000414	D67C	CP000416
20	D67B	CP000415	D67D	CP000417

MATERIALS: Sliding shoe is made of polyamide black colour or of polyethylene green colour.

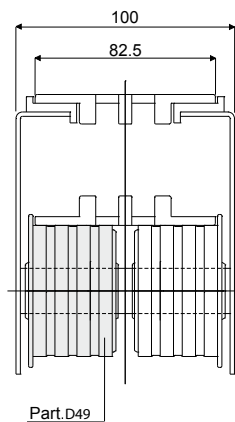
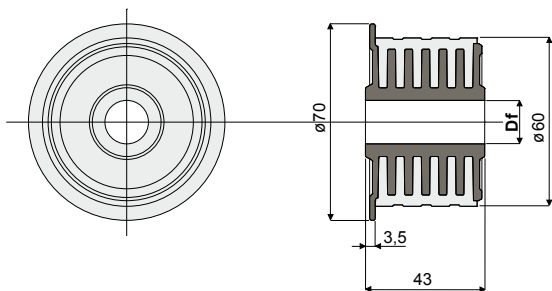
FEATURES: To be assembled in the chain return near to the sprocket. Snap-on assembly.

BOX QUANTITY: 12 pieces.

ON REQUEST:

- Sliding shoes: Other bore sizes, and colours.
- Box Quantity: According to your request.

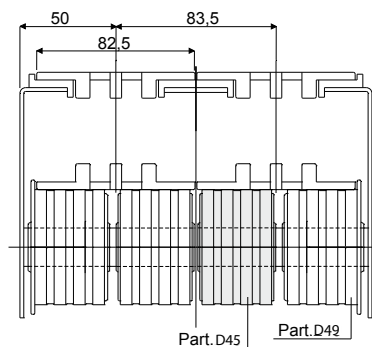
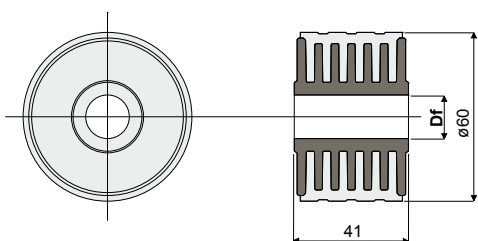
Roller with rubber for chain return (with flange) Type: D49



Example of application

Df Bore for pin of (mm)	Type	Code
15	D49A	CP000418
16	D49B	CP000419
18	D49C	CP000420
20	D49D	CP000421

Roller with rubber for chain return (without flange) Type: D45



Example of application

Df Bore for pin of (mm)	Type	Code
15	D45A	CP000422
16	D45B	CP000423
18	D45C	CP000424
20	D45D	CP000425

MATERIALS: Internal part is made of polyamide black colour; external rubber is made of PVC grey colour 65 shore.

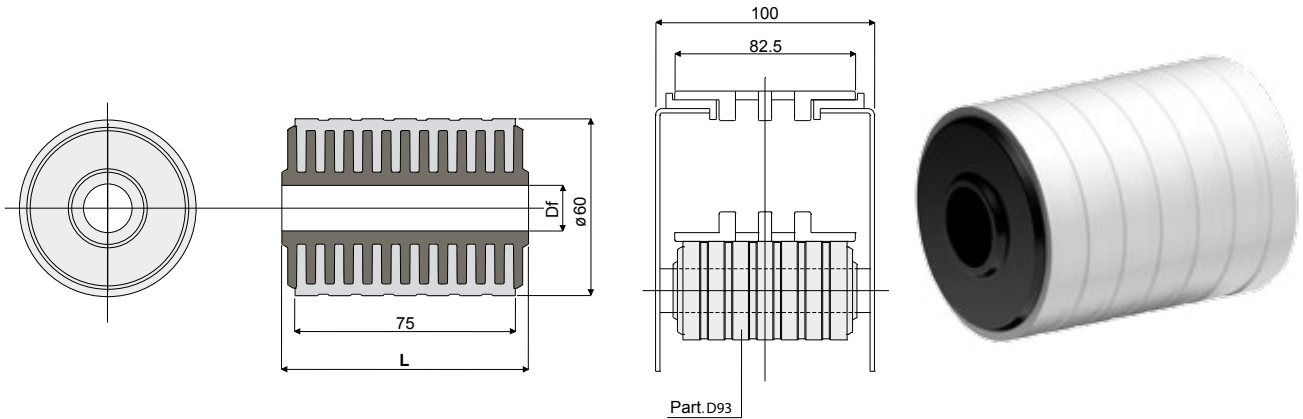
FEATURES: This roller is completely closed, total lack of internal cavities to obtain the maximum level of cleanability and noiselessness during working operations.

BOX QUANTITY: 48 pieces.

ON REQUEST:

- Rollers: Special bores, other colours.
- Box Quantity: According to your request.

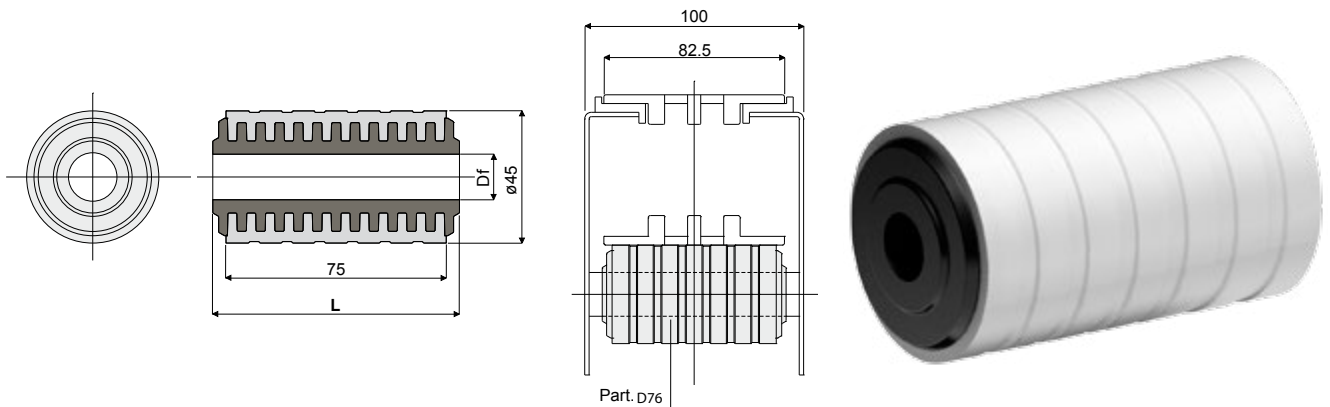
Roller with rubber for chain return (without flange) Type: D93



Part. D93
Example of application

Df Bore for pin of (mm)	L = 82 mm		L = 84 mm	
	Type	Code	Type	Code
12	D93A	CP000426	D93G	CP000431
15	D93B	CP000427	D93H	CP000432
16	D93C	CP000428	D93I	CP000433
18	D93D	CP000429	D93L	CP000434
20	D93E	CP000430	D93M	CP000435

Roller with rubber for chain return (without flange) Type: D76



Part. D76
Example of application

Df Bore for pin of (mm)	L = 82 mm		L = 84 mm	
	Type	Code	Type	Code
12	D76A	CP000436	D76G	CP000441
15	D76B	CP000437	D76H	CP000442
16	D76C	CP000438	D76I	CP000443
18	D76D	CP000439	D76L	CP000444
20	D76E	CP000440	D76M	CP000445

MATERIALS: Internal part is made of polyamide black colour; external rubber is made of PVC grey colour 65 shore.

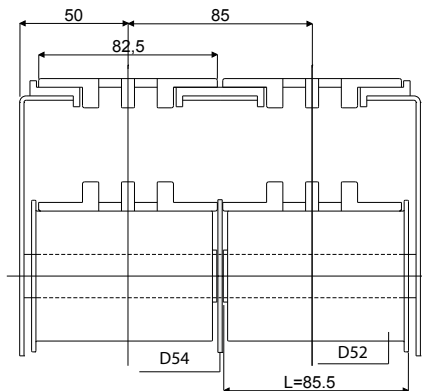
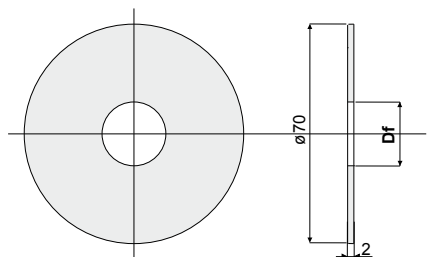
FEATURES: This roller is completely closed, total lack of internal cavities to obtain the maximum level of cleanability and noiselessness during working operations.

BOX QUANTITY: 48 pieces.

ON REQUEST:

- Rollers: Special bores, other colours.
- Box Quantity: According to your request.

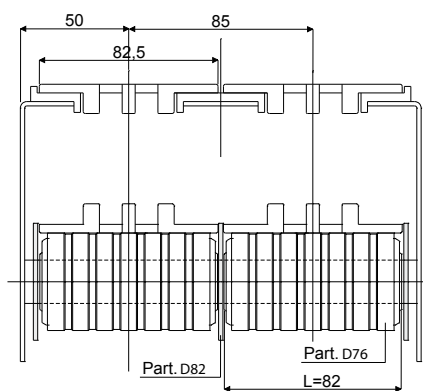
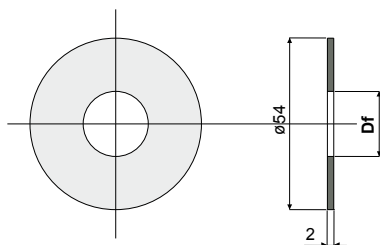
Flange for chain guide (for roller D51, D52, D53, D45, D93, D50, D49) Type: D54



Example of application

Df Bore for pin of (mm)	Type	Code
12	D54A	CP000446
14	D54B	CP000447
15	D54C	CP000448
16	D54E	CP000449
18	D54F	CP000450
20	D54G	CP000451

Flange for chain guide (for roller D76, D71, D70) Type: D82



Example of application

Df Bore for pin of (mm)	Type	Code
15	D82A	CP000452
16	D82B	CP000453
18	D82C	CP000454
20	D82E	CP000455

MATERIALS: Flange is made of polypropylene black colour.

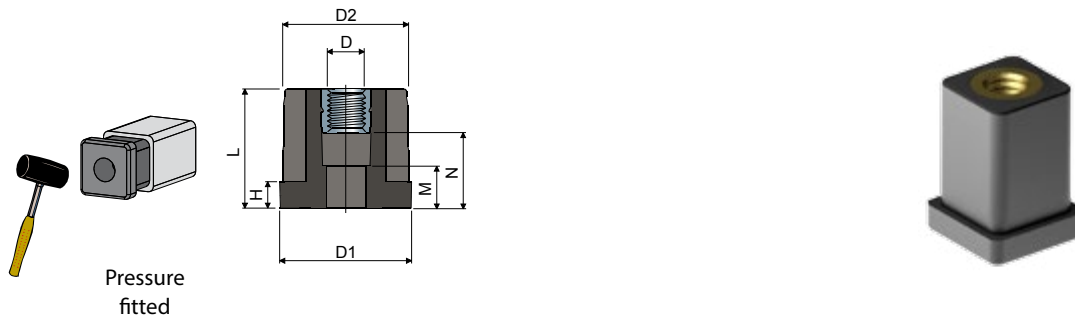
FEATURES: D54 is assembled to our roller for chain return D51, D52, D53, D45, D93, D50, D49. D82 is assembled to rollers D76, D71 and D70.

BOX QUANTITY: 96 pieces.

ON REQUEST:

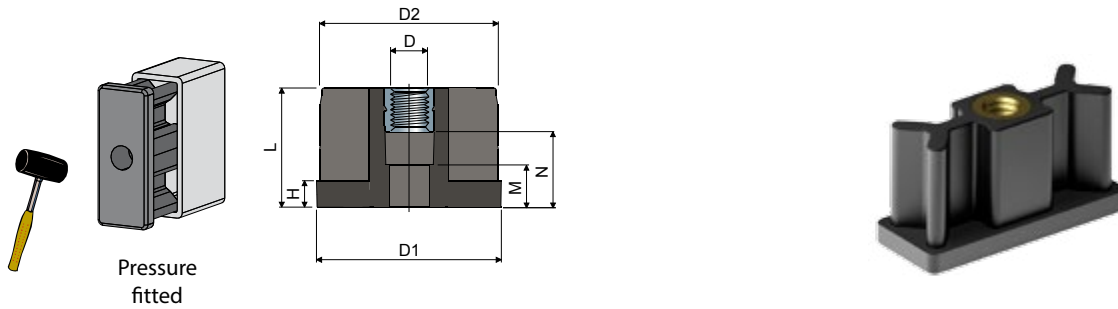
- Flanges: Special bores, other colours.
- Box Quantity: According to your request.

Threaded bushings (for conveyor flanks) Type: T36

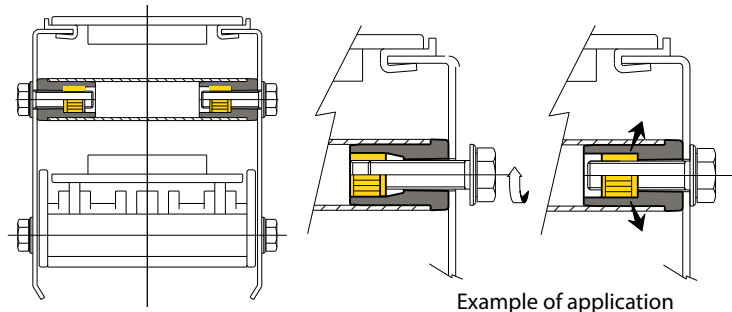


Dimensions du tube											Type	Code
Externe (mm)	Épaisseur (mm)	Interne (mm)	Filetage D	D1 (mm)	D2 (mm)	H (mm)	L (mm)	M (mm)	N (mm)			
20x20	1,5	17x17	M8	20x20	17x17	5	28	13	18	T36	CP000456	

Embouts filetés (pour le côté du convoyeur) Type: T35



Tube dimensions											Type	Code
Outside (mm)	Thickness (mm)	Inside (mm)	Thread D	D1 (mm)	D2 (mm)	H (mm)	L (mm)	M (mm)	N (mm)			
20x50	2	16x46	M8	20x50	16x46	5	28	13	18	T35	CP000457	



Example of application

MATERIALS: Bush in reinforced polyamide black colour; threaded insert in brass.

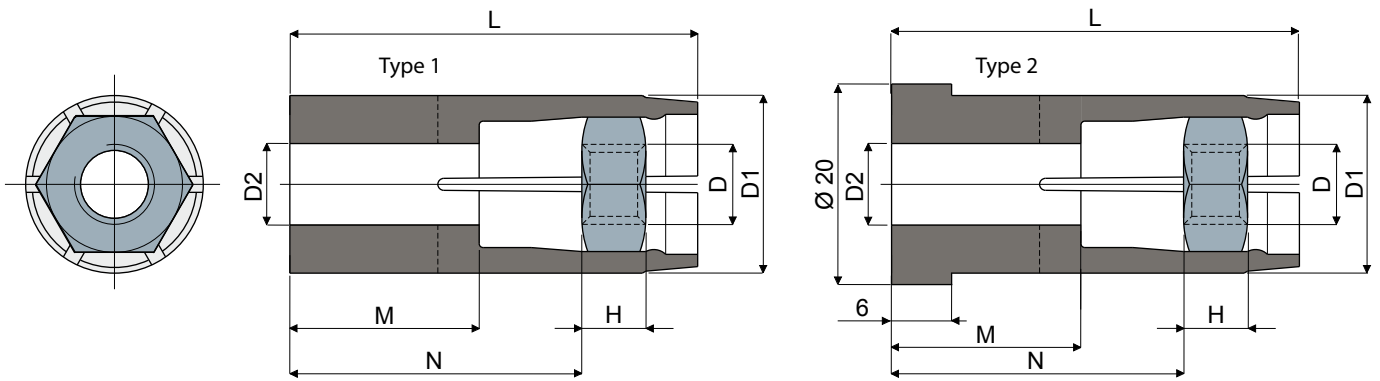
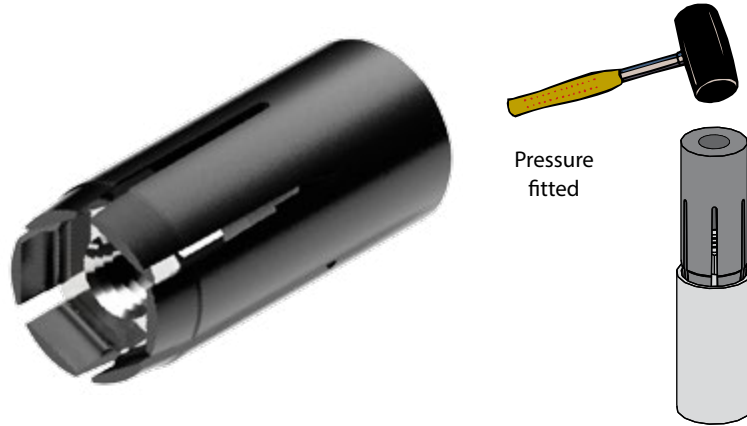
FEATURES: Supplied assembled. To be assembled in the conveyor flanks.

BOX QUANTITY: 48 pieces.

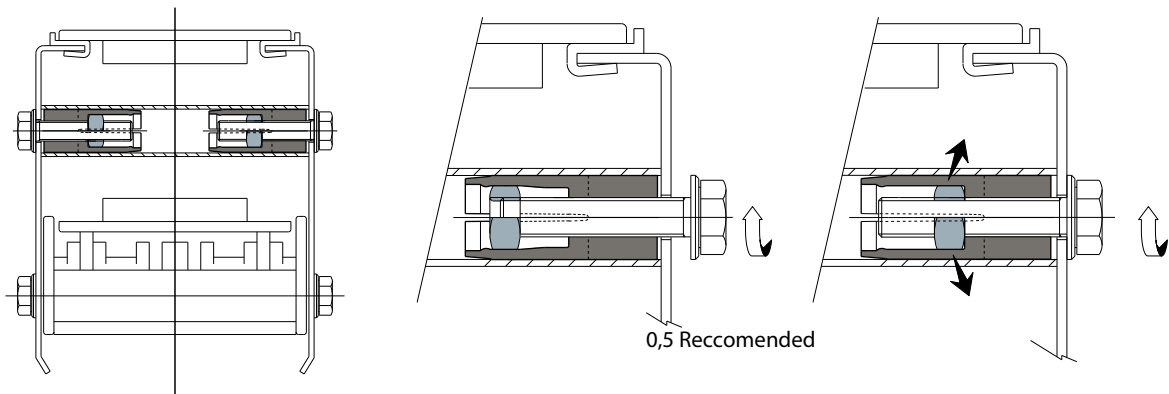
ON REQUEST:

- Bushes: Special thickness tube.
- Box Quantity: According to your request.

Expansion plugs Type: D83



Example of application



Tube dimensions										Type 1	
Outside (mm)	Thickness (mm)	Inside (mm)	D (mm)	D1 (mm)	D2 (mm)	H (mm)	L (mm)	M (mm)	N (mm)	Type	Code
20	1,5	17	M8	17	8,5	6,5	40	18	28	D83A	CP000458
25	1,5	22	M10	22	10,5	8	51	23	36	D83B	CP000459

Tube dimensions										Type 2	
Outside (mm)	Thickness (mm)	Inside (mm)	D (mm)	D1 (mm)	D2 (mm)	H (mm)	L (mm)	M (mm)	N (mm)	Type	Code
20	1,5	17	M8	17	8,5	6,5	40	19	29	D83C	CP000460

MATERIALS: Bush in reinforced polyamide black colour; threaded insert in brass.

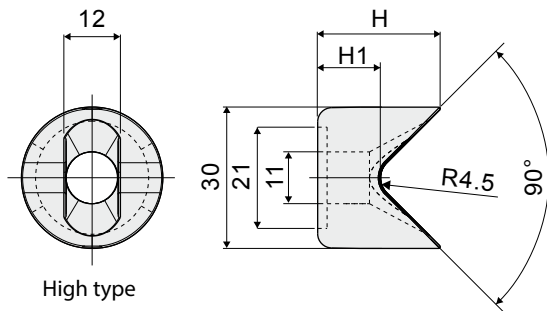
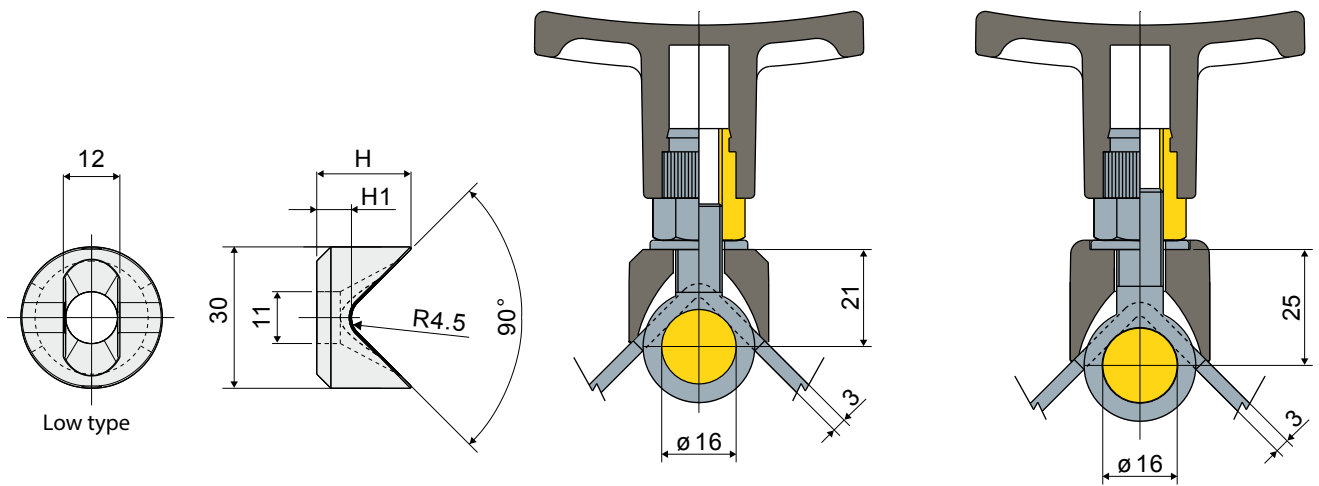
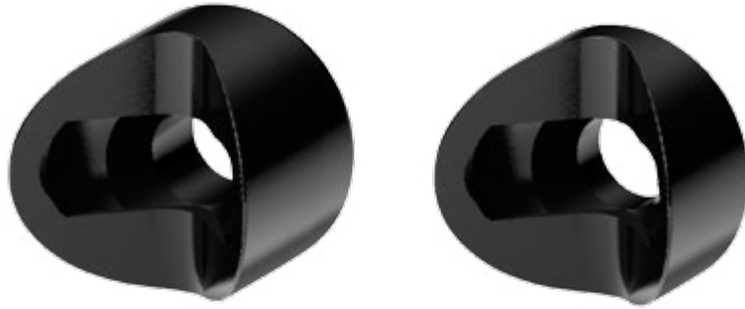
FEATURES: Supplied assembled. To be assembled in the conveyor flanks.

BOX QUANTITY: 48 pieces.

ON REQUEST:

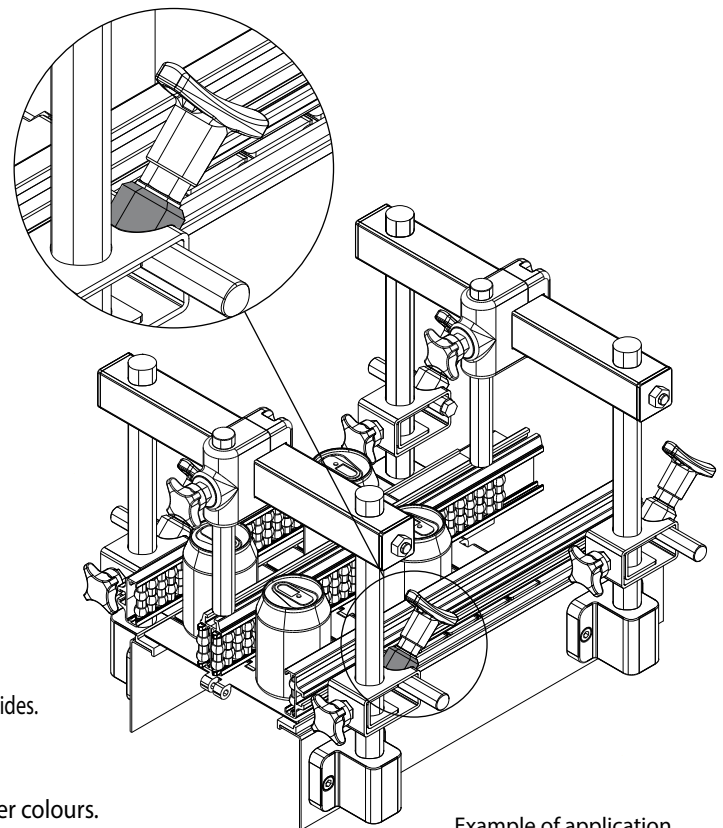
- Bushes: Special thickness tube.
- Box Quantity: According to your request.

Bushing for eyebolt Type: T33



H	H1	Low type	
(mm)	(mm)	Type	Code
20	7,3	T33A	CP000461

H	H1	High type	
(mm)	(mm)	Type	Code
26	13,3	T33B	CP000462



Example of application

MATERIALS: Bushing made of reinforced polyamide black colour.

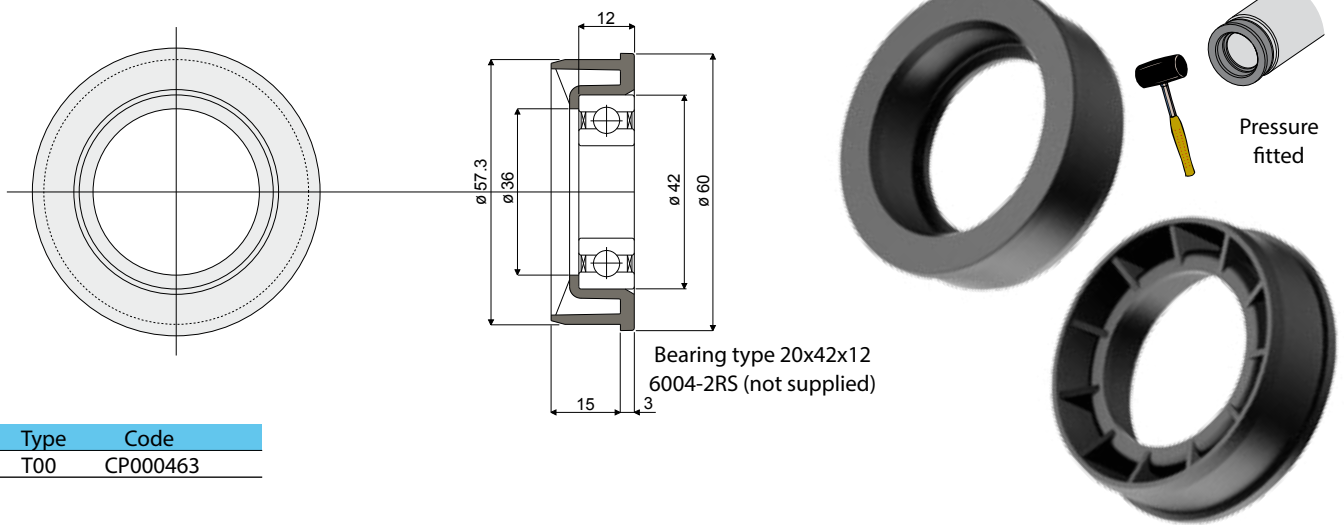
FEATURES: To be used with the eyebolts to block the pins holding the transport guides.

BOX QUANTITY: 24 pieces.

ON REQUEST:

- Bushings: With different heights, in reinforced polypropylene, other colours.
- Box Quantity: According to your request.

Bearing-holder flange Type: T00



Type	Code
T00	CP000463

MATERIALS: Flange is made of polyamide black colour.

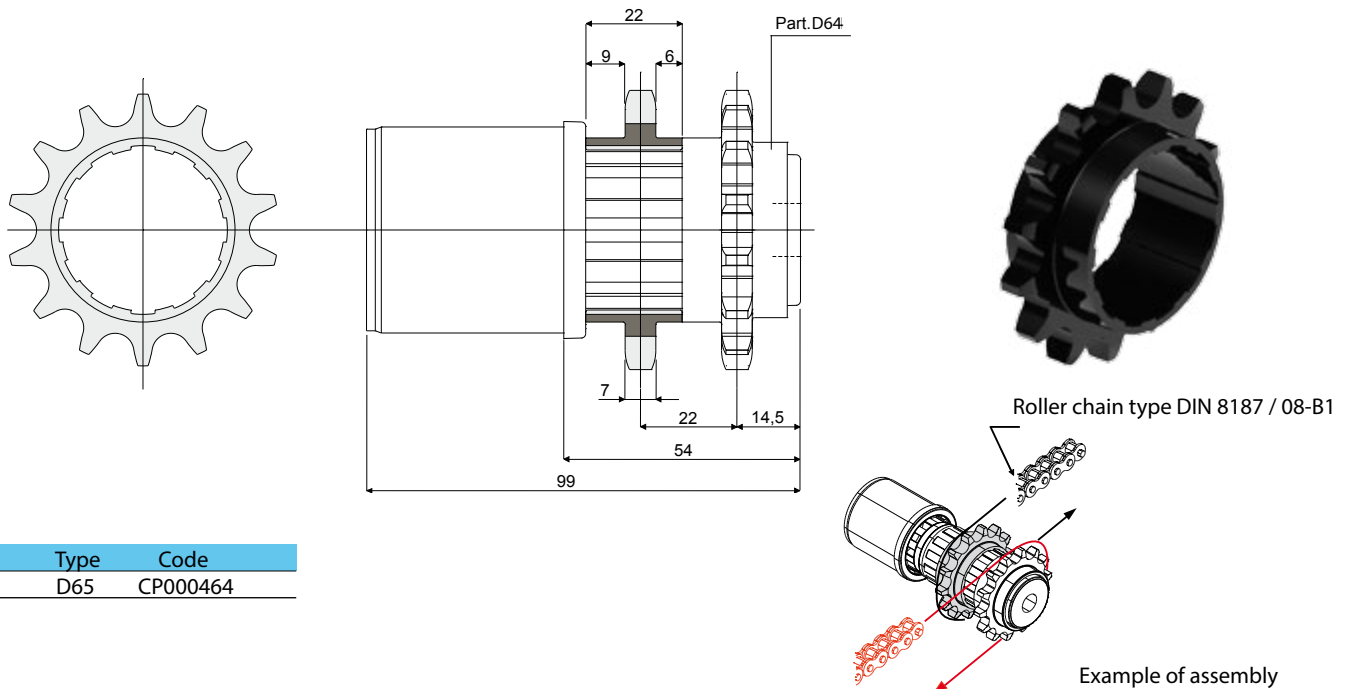
FEATURES: To be inserted in the tube sides D=60,3 thickness 1,5 mm to build a roller conveyor or rollers for chain return. Supplied without bearing.

BOX QUANTITY: 24 pieces.

ON REQUEST:

- Flanges: Supplied assembled with bearings.
- Box Quantity: According to your request.

14 teeth sprocket (for bearing support D64) Type: D65



Type	Code
D65	CP000464

MATERIALS: Drive sprocket is made of polyamide black colour.

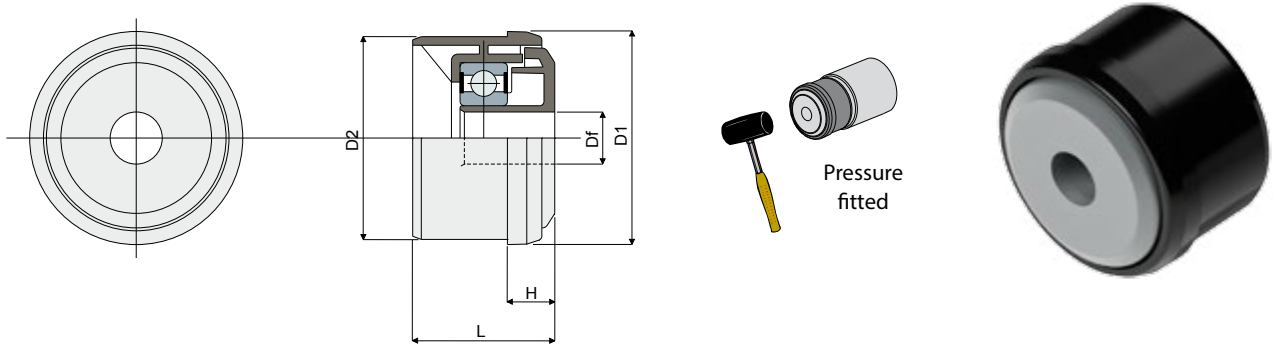
FEATURES: Accessory to be used with bearing support D64 to make the drive roller to roller. This drive type allows a greater torque.

BOX QUANTITY: 24 pieces.

ON REQUEST:

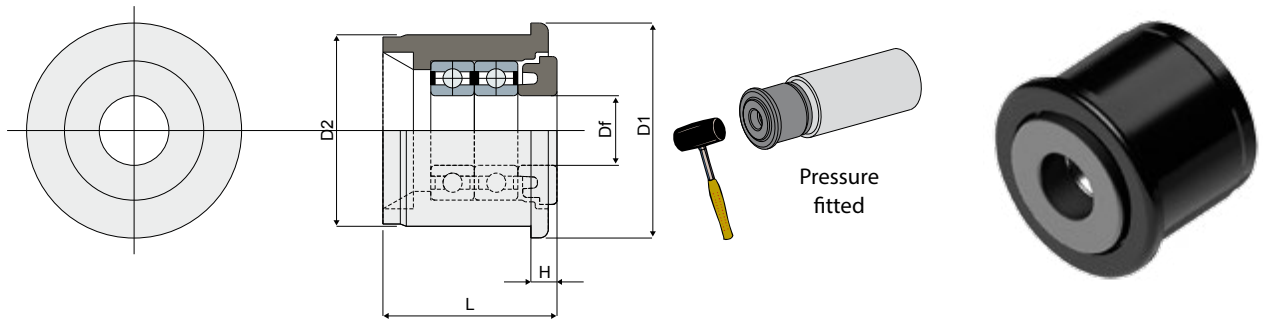
- Sprockets: other colours.
- Box Quantity: According to your request.

Bearing support for conveyor rollers (for idler roller) Type: D63



Tube dimensions								Bore for pin of	Type	Code	Bearing type
ø outside	Thickness	ø inside	D1	D2	H	L	Df				
(mm)	(mm)	(mm)	(mm)	(mm)	(mm)	(mm)	(mm)				
50	1,5	47	50	47	11	30	12	D63A	CP000465	6202-2RS	
50	1,5	47	50	47	11	30	14	D63B	CP000466	6202-2RS	

Bearing support for conveyor rollers (with protective shield) Type: T17



tube dimensions							Bore for pin of	Type	Code	Bearing type
ø outside	Thickness	ø inside	D1	D2	H	L	Df			
(mm)	(mm)	(mm)	(mm)	(mm)	(mm)	(mm)	(mm)			
25	1,5	22	25	22	3	20	8	T17A	CP000467	688/8-2RS
25	1,5	22	25	22	3	20	8	T17B	CP000468	Fourni sans roulements

MATERIALS: Bearing support with internal part and external bushing made of polyamide black colour; bearing made of chrome steel.

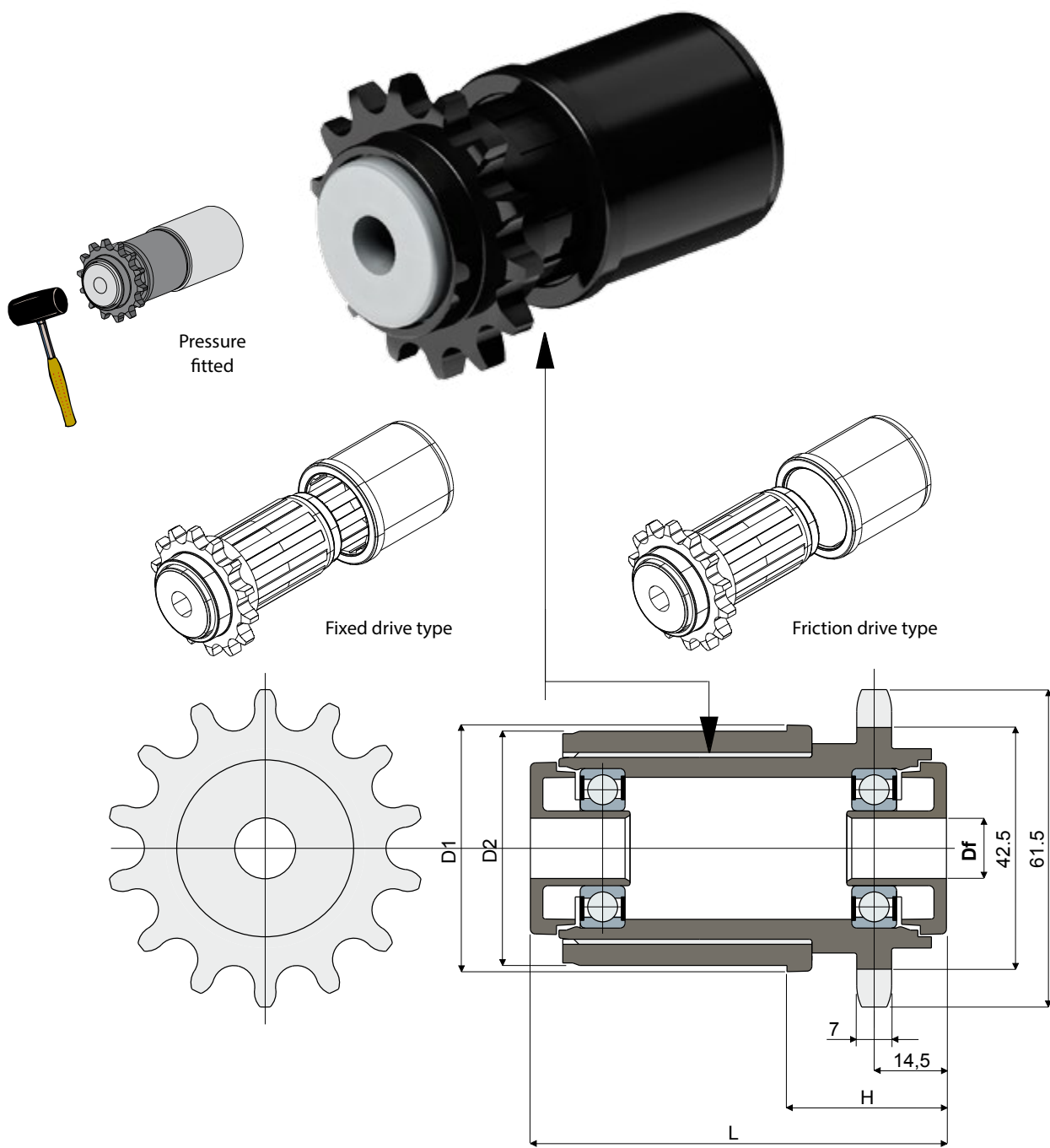
FEATURES: To be inserted in the tube sides to build a roller conveyor.

BOX QUANTITY: 24 pieces.

ON REQUEST:

- Bearing supports: other colours.
- Box Quantity: According to your request.

Bearing support for conveyor rollers (for drive roller) Type: D64



Tube dimensions			Bore for pin of				Fixed drive type		Friction drive type		Bearing type	
ø outside (mm)	Thickness (mm)	ø inside (mm)	D1 (mm)	D2 (mm)	H (mm)	L (mm)	Df (mm)	Type	Code	Type		Code
50	1,5	47	50	47	32	83	12	D64A	CP000469	D64C	CP000471	6002-2RS
50	1,5	47	50	47	32	83	14	D64B	CP000470	D64D	CP000472	6002-2RS

MATERIALS: Bearing support with protective shield made of polyamide grey colour; external bushing made of polyamide black colour; bearing made of chrome steel.

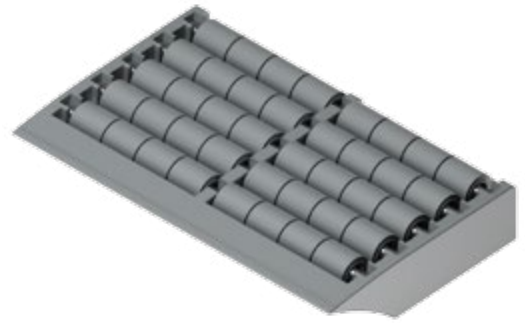
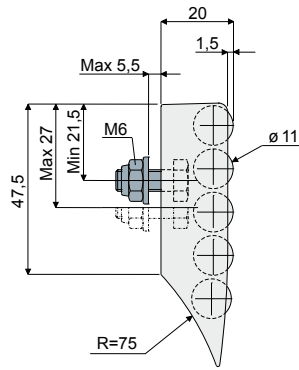
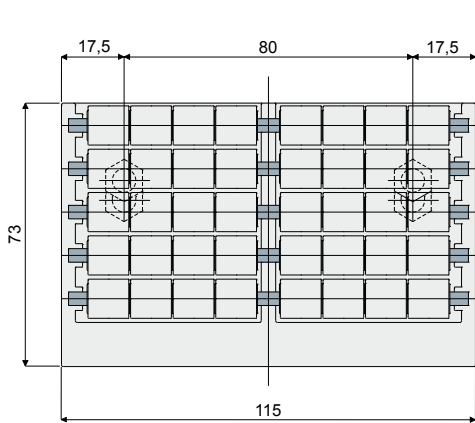
FEATURES: To be inserted in the tube sides to build a roller conveyor. Drive sprocket with 14 teeth for roller chain type DIN 8187-08-b1.

BOX QUANTITY: 24 pieces.

ON REQUEST:

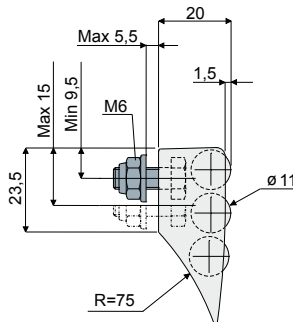
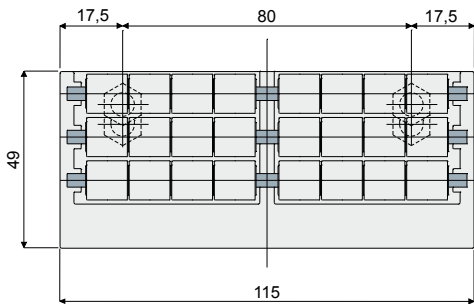
- Bearing supports: other colours, bores with different sizes.
- Box Quantity: According to your request.

Modular transfer plates with rollers (width 115 mm 5 rows of rollers) Type: D57



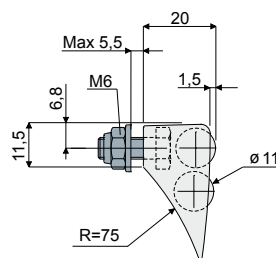
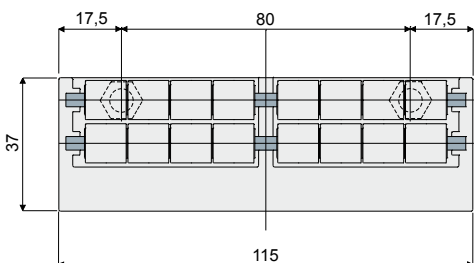
Type	Code
D57	CP000473

Modular transfer plates with rollers (width 115 mm 3 rows of rollers) Type: D58



Type	Code
D58	CP000474

Modular transfer plates with rollers (width 115 mm 2 rows of rollers) Type: D59



Type	Code
D59	CP000475

MATERIALS: Modular transfer plate with external module and rollers made of acetal grey colour; pins and fixing bolts and nuts made of stainless steel AISI 304.

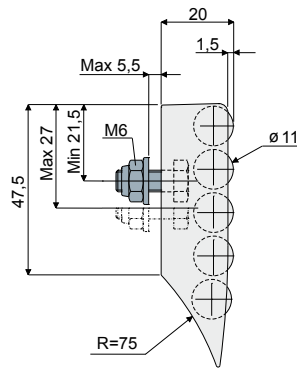
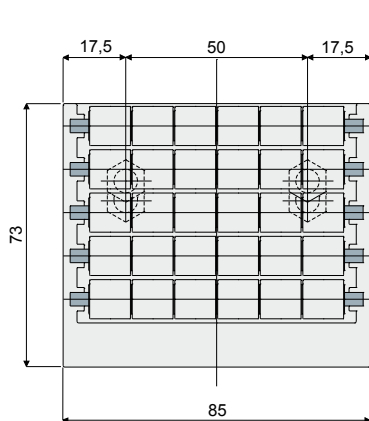
FEATURES: To be assembled at the end of your conveyor to help the products transfer. Easy to assemble, low friction coefficient, minimum noise level, extremely cleanable.

BOX QUANTITY: 8 pieces.

ON REQUEST:

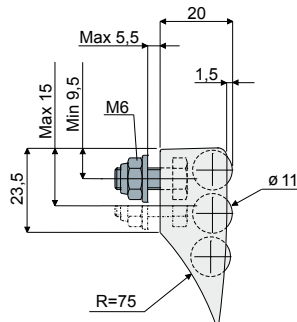
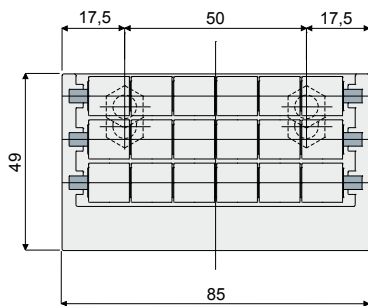
- External module and rollers: Can be produced in other colours.

Modular transfer plates with rollers (width 85 mm 5 rows of rollers) Type: D60



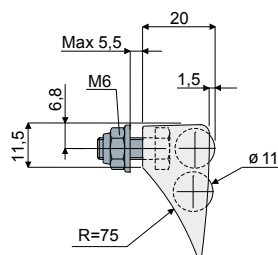
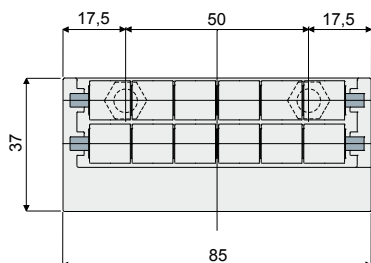
Type	Code
D60	CP000476

Modular transfer plates with rollers (width 85 mm 3 rows of rollers) Type: D61



Type	Code
D61	CP000477

Modular transfer plates with rollers (width 85 mm 2 rows of rollers) Type: D62



Type	Code
D62	CP000478

MATERIALS: Modular transfer plate with external module and rollers made of acetal grey colour; pins and fixing bolts and nuts made of stainless steel AISI 304.

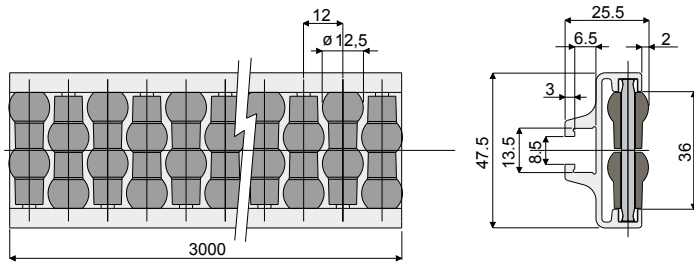
FEATURES: To be assembled at the end of your conveyor to help the products transfer. Easy to assemble, low friction coefficient, minimum noise level, extremely cleanable.

BOX QUANTITY: 8 pieces.

ON REQUEST:

- External module and rollers: Can be produced in other colours.
- Box Quantity: According to your request.

Roller side guide (single type, with pearls) Type: T06



Type	Code
T06	CP000479

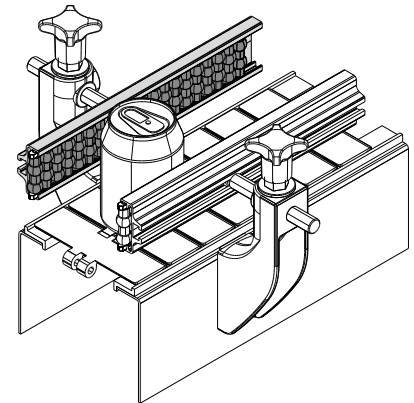
MATERIALS: Roller side guide with metal profile in anodized aluminium; rollers in polyamide grey colour; support pins in acetal resin white colour.

FEATURES: Supplied already assembled, in bars of 3 meters length. Min. curvature radius: 250 mm.

BOX QUANTITY: 2 bars of 3 meters (total 6 meters).

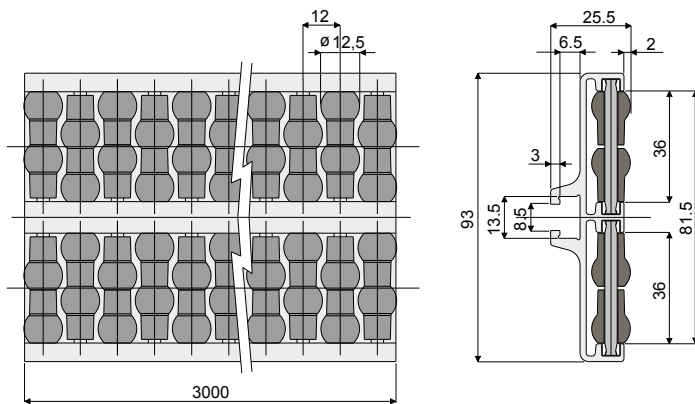
ON REQUEST:

- Roller side guide: Other colours.



Example of application

Roller side guide (double type, with pearls) Type: T07



Type	Code
T07	CP000480

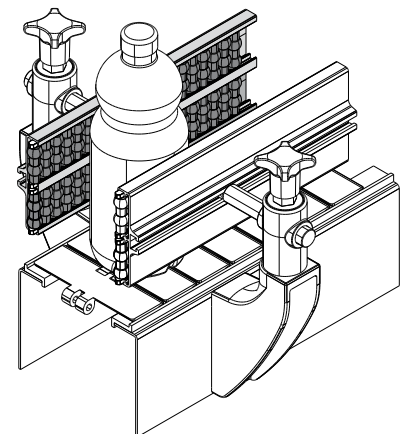
MATERIALS: Roller side guide with metal profile in anodized aluminium; rollers in polyamide grey colour; support pins in acetal resin white colour.

FEATURES: Supplied already assembled, in bars of 3 meters length. Min. curvature radius: 500 mm.

BOX QUANTITY: 2 bars of 3 meters (total 6 meters).

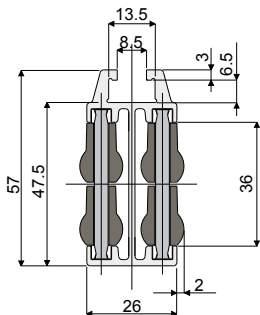
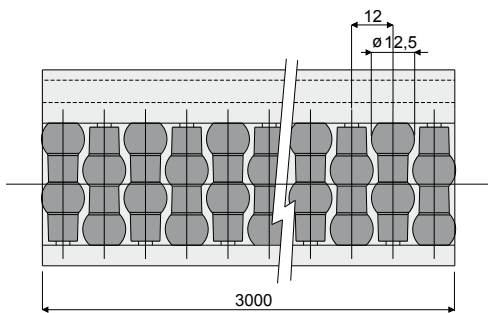
ON REQUEST:

- Roller side guide: Other colours.



Example of application

Roller central guide (single type, with pearls) Type: T08



Type	Code
T08	CP000481

MATERIALS: Roller central guide with metal profile in anodized aluminium; rollers in polyamide grey colour; support pins in acetal resin white colour.

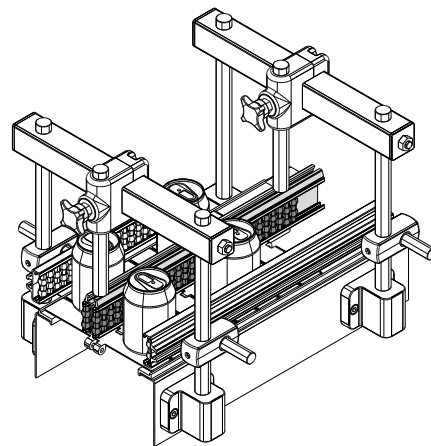
FEATURES: Supplied already assembled, in bars of 3 meters length.

Min. curvature radius: 500 mm.

BOX QUANTITY: 2 bars of 3 meters (total 6 meters).

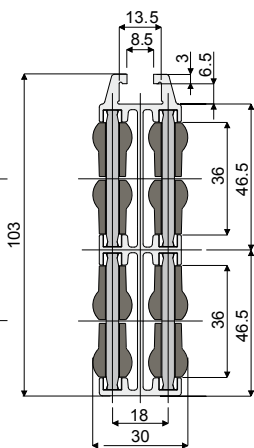
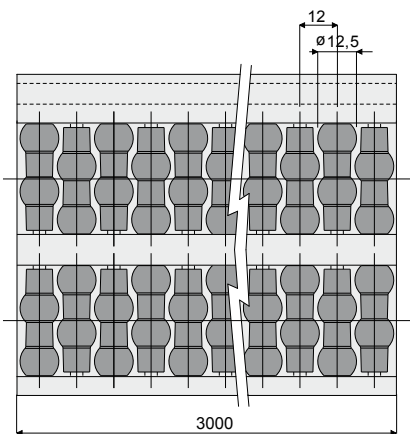
ON REQUEST:

- Roller central guide: Other colours.



Example of application

Roller central guide (double type, with pearls) Type: T19



Type	Code
T19	CP000482

MATERIALS: Roller central guide with metal profile in anodized aluminium; rollers in polyamide grey colour; support pins in acetal resin white colour.

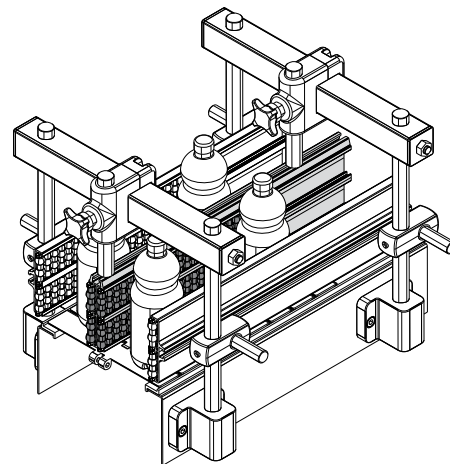
FEATURES: Supplied already assembled, in bars of 3 meters length.

Min. curvature radius: 750 mm.

BOX QUANTITY: 2 bars of 3 meters (total 6 meters).

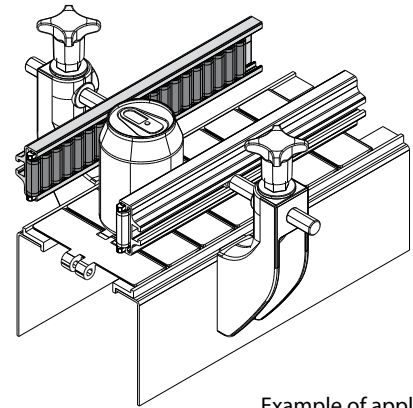
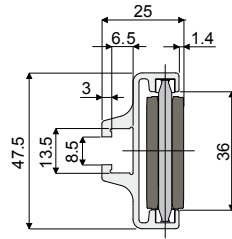
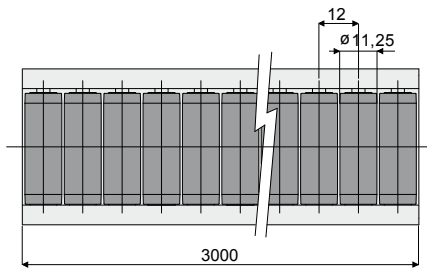
ON REQUEST:

- Roller central guide: Other colours.



Example of application

Roller side guide (single type, with cylinders) Type: T25



Example of application

Type	Code
T25	CP000483

MATERIALS: Roller side guide with metal profile in anodized aluminium; rollers in polyamide grey colour; support pins in acetal resin white colour.

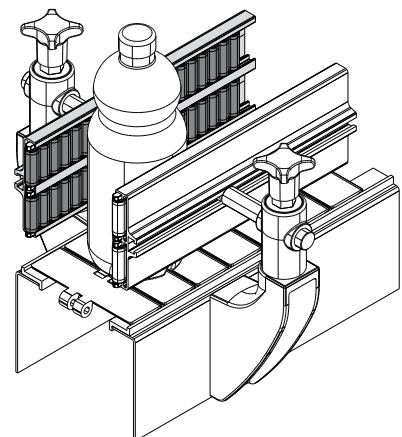
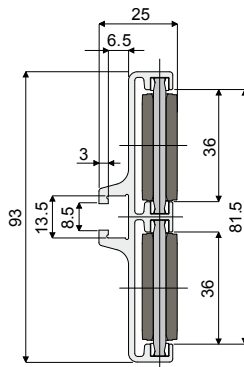
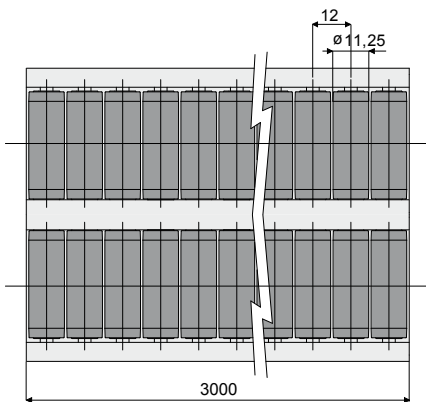
FEATURES: Supplied already assembled, in bars of 3 meters length. Min. curvature radius: 250 mm.

BOX QUANTITY: 2 bars of 3 meters (total 6 meters).

ON REQUEST:

- Roller side guide: Other colours.

Roller side guide (double type, with cylinders) Type: T26



Example of application

Type	Code
T26	CP000484

MATERIALS: Roller side guide with metal profile in anodized aluminium; rollers in polyamide grey colour; support pins in acetal resin white colour.

FEATURES: Supplied already assembled, in bars of 3 meters length. Min. curvature radius: 500 mm.

BOX QUANTITY: 2 bars of 3 meters (total 6 meters).

ON REQUEST:

- Roller side guide: Other colours