

TableTop and MatTop Products

Issue 17



FlatTop Catalog

Download the most up-to-date
version at www.rexnord.com

Customer-focused Solutions. Reliable Performance. Trusted Brands.

Rexnord® TableTop® Chains

Rexnord® MatTop® Chains

Rexnord® Materials

Rexnord® FlatTop conveyor chains and components are leading edge solutions designed to continuously improve productivity for customers in every application. With more than 120 years of experience, Rexnord offers the broadest selection of high quality chains, components, sprockets and accessories available in the world. Our team of experienced application engineers and industry experts is committed to helping you select the ideal product for your application.

Our dedication to new product development enables us to provide innovative product solutions for our customers' most demanding application requirements. Every chain, belt and component stamped with a Rexnord® brand has undergone extensive research and quality testing, ensuring our customers' conveying needs will be met with the most economical, efficient and reliable means possible.

Conveniently Accessible Online Information

We realize the success of your business depends on up-to-date product information, superior technical support and customer service. Please visit our website, www.rexnord.com, for additional product information, useful tools such as our distributor locator, and technical support options to help your business succeed.



Dimensions are subject to change.

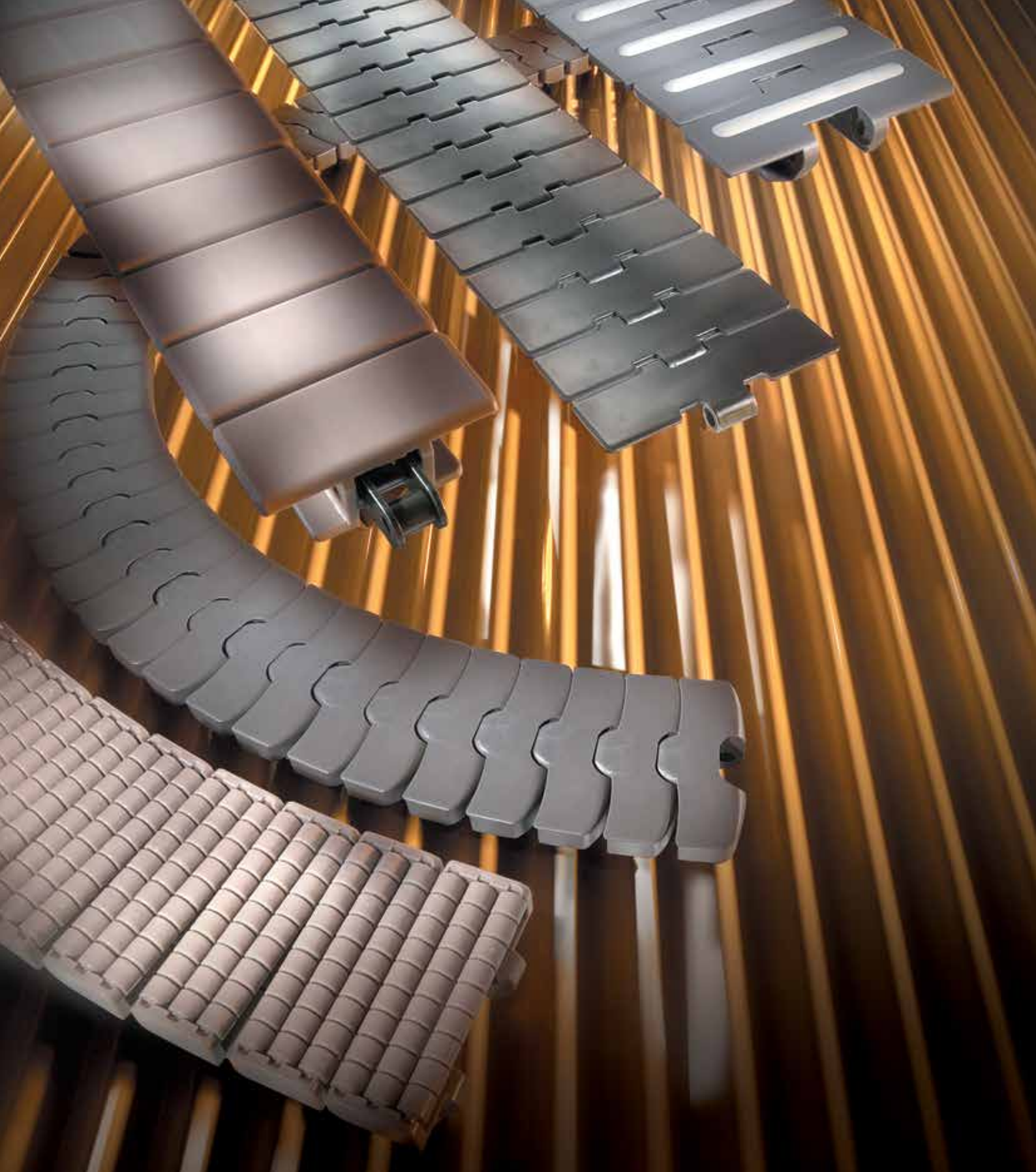
Certified dimensions of ordered products are furnished upon request.

The contents of this catalog may not be reproduced in whole or in part without consent of the copyright owner. Rexnord is continually investigating methods of improving products and introducing new technologies, and therefore reserves the right to modify data and features shown in this catalog at any time.

For updated information, please visit our web site at www.rexnord.com.

Index

Overview "TableTop® Chains"	6
Introduction Metal TableTop Chains	8
Metal TableTop Chains	10
Metal TableTop Chains with RubberTop®	21
Introduction plastic TableTop Chains	26
Plastic TableTop Chains	28
Plastic TableTop Chains with RubberTop®	40
Plastic TableTop LBP Chains	45
Plastic Side-Flexing Chain	50
Sprockets for TableTop Chains	53
Corner discs for Plastic TableTop Chains	71
Introduction Multiflex and Case conveyor Chains	72
Multiflex Chains	74
Sprockets for Multiflex Chains	81
Corner discs for Multiflex Chains	83
Case Conveyor Chains	84
Sprockets for Case Conveyor Chains	88
Introduction Plate Top and Gripper Chains	89
Plate Top Chains	91
Gripper Chains	96
Introduction Curves and Straight Tracks	100
Magnetflex® Combi Curves	102
Tab Curves	120
Bevel Curves	124
Straight Tracks	126
Overview "MatTop® Chains"	128
Introduction MatTop Chains	130
390-Series	132
500-Series	134
590-Series	136
1500-Series	140
8500-Series	147
5930-Series	151
1000-Series	155
1005-Series	164
1020-Series	175
1010-Series	170
7700-Series	181
2000-Series	187
2010-Series	193
6990-Series	197
3120-Series	206
Introduction Sideflexing MatTop Chains	213
505 -Series	214
1200-Series	216
7956-Series	221
MatTop Numbers	223
Materials	224
Product Index	227

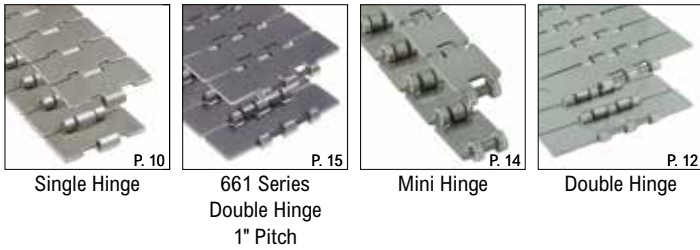


Rexnord® TableTop® chains are engineered to satisfy a wide range of conveyor applications for virtually any industry. A large selection of straight running and side-flexing chains are designed to convey flawlessly in even the most demanding environments. Chains formed from metal or molded from thermoplastic are perfect for

high strength and high speed applications. Narrow widths are ideal for multiple strand and variable speed conveyors. Chains with low backline pressure rollers minimize product damage. Several chain series couple traditional top plates with roller base chains for increased strength and precision.

Rexnord® TableTop® Chains

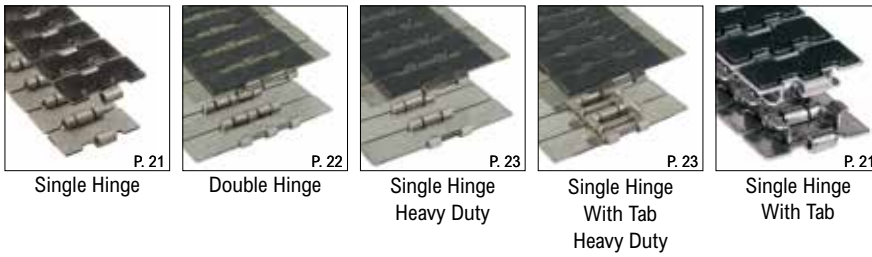
Metal TableTop Chains - Straight Running



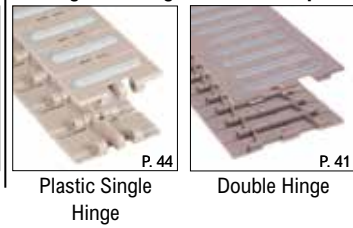
Plastic TableTop Chains - Straight running



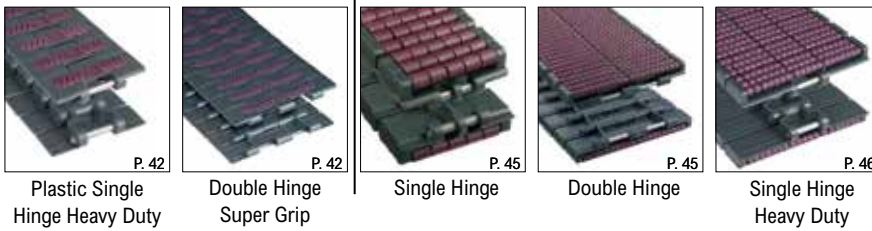
Metal TableTop Chains - Straight Running With RubberTop



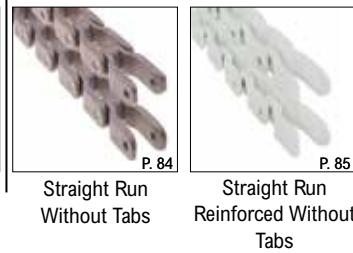
Plastic TableTop Chains - Straight Running With RubberTop



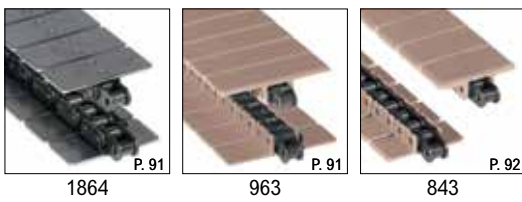
LBP Chains - Straight Running



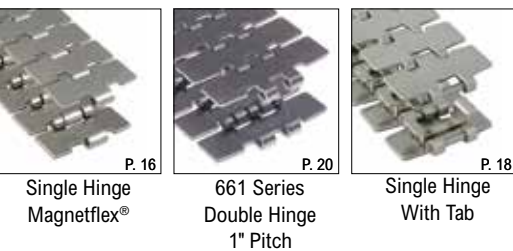
Case Conveying Chain- Without Tab



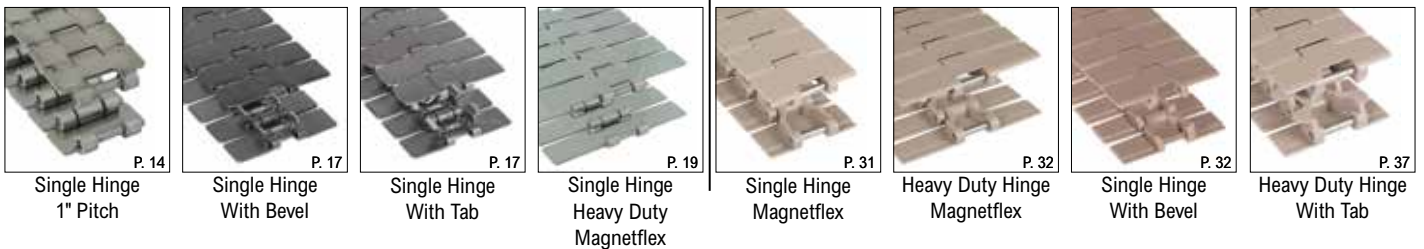
PlateTop Chains - Straight Running



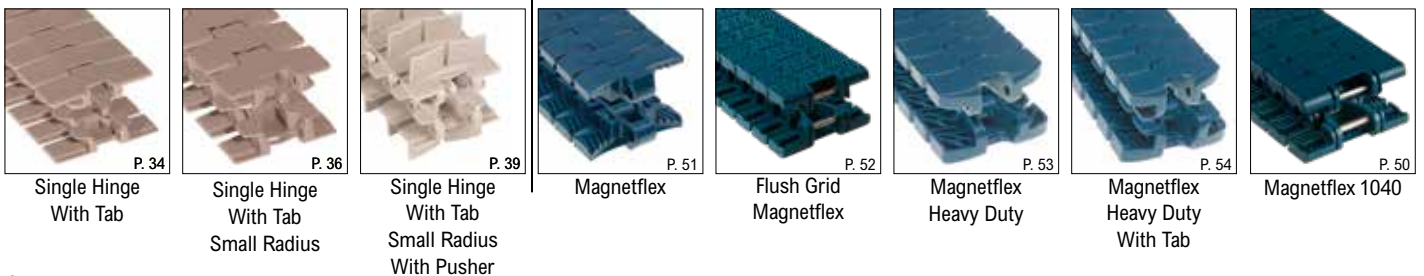
Metal TableTop Chains - Side-Flexing



Plastic TableTop Chains - Side-Flexing



TableTop Side-Flexing Chains



Metal TableTop Chains - Side-Flexing With RubberTop®



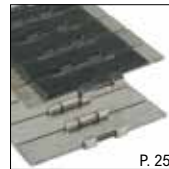
P. 24

Single Hinge



P. 25

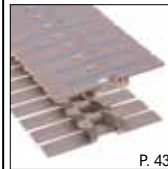
Single Hinge With Tab



P. 25

Single Hinge Heavy Duty

Plastic TableTop Chains - Side-Flexing With RubberTop®



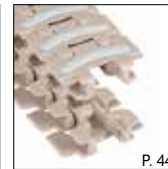
P. 43

Heavy Duty Hinge With Tab



P. 43

Single Hinge With Tab



P. 44

Single Hinge With Tab Small Radius

LBP Chains - Side-Flexing



P. 44

Single Hinge With Tab Small Radius



P. 48

Single Hinge With Tab



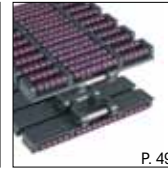
P. 48

Single Hinge Small Radius



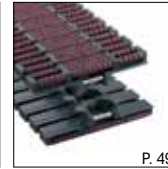
P. 49

Single Hinge With Tab



P. 49

Heavy Duty Hinge Magnetflex®



P. 49

Heavy Duty Hinge With Tab

Multiflex Chains



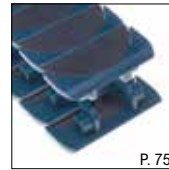
P. 74

1765 ZeroGap™



P. 74

1775 ZeroGap™



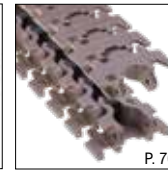
P. 75

1785 ZeroGap™



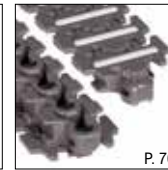
P. 75

2565 ZeroGap™



P. 76

1757TAB



P. 76

HP1757TAB-SG



P. 77

1700TAB



P. 78

1720

Case Conveyor Chains



P. 85

CC600TXL



P. 85

CC1400XL



P. 86

CC1431TXL



P. 87

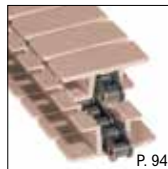
BSM2755

PlateTop Chains - Side-Flexing



P. 92

1843TAB



P. 94

1873TAB



P. 95

LF1873TAB-SG



P. 93

1874TAB



P. 95

3873TAB

PlateTop Gripper Chains - Side-Flexing



P. 96

1843 GDB



P. 97

1873 GSD



P. 97

1873 GS2J



P. 98

1873 GS3J

In 1938 Rexnord introduced the worlds first metal TableTop chain with integrated top plate and hinge eyes. Nowadays the Rexnord product lines of steel slatband chains offer many materials, types and grades, enabling a solution for any application. Metal slatband chains are ideal for handling glass bottles, kegs, crates and many other products.

Features

Surface finish

When products are sliding on a chain, the bottom will affect the surface finish of the chain. Rexnord tests have shown that during the first days after installation the initial surface finish is changing to a lower level that is maintained during the normal life of the chain. Surface finish is a valuable feature, although it is not the determining factor between good and great performance.

Sliding properties

These depend on the base material and the treatments during the manufacturing process. To ensure superior sliding properties, Rexnord uses a number of chain materials, specifically designed for slatband chain applications. You can find more details on these materials on next page.

Flatness

During the entire production process the flatness is measured in running direction (R) and in width direction (W). The flatness in width direction is important when products slide sideways from one chain to the other. For this reason the cross sections of all Rexnord chains are convex instead of concave, to prevent products to fall. Due to the careful control in production, these chains offer superior lateral flatness values, which can be found in the tables on the page of each chain.

Flatness when a product moves from one link of the chain to the next is also important, as poor flatness will cause products tipping, leading to production loss in the line. Rexnord metal slatband chains offer an outstanding flatness in running direction.

Working load

At which load a chain is actually breaking is not relevant to determine if a certain chain is suitable for your application. More important is the maximum working load a chain can handle before permanent deformation occurs. Rexnords chain calculation program will assist in defining the right chain for specified applications, considering conveyor length, chain speed, accumulation level, lubrication, product type and weight.

Polished hinge eyes

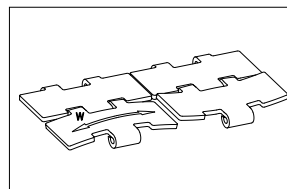
The performance of the chain on high-speed side-transfers, such as pressure-less combiners improves with polished hinge eyes, due to the smooth contact with the wearstrips. This prevents pulsating of the chain and improves product handling. Most Rexnord sideflexing chains have polished hinge eyes, because these are always in contact with the curve. The specification table of each chain indicates whether a chain has polished hinge eyes.

Hardened Pins

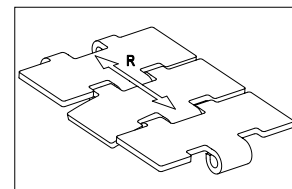
Hardened pin material reduces the chain elongation significantly. Special hardened pins will give the highest resistance to chain elongation over a long period of time. High quality 60-Series HB metal TableTop® chain with Hardened Pins with improved wear resistance properties. Special 66-Series XHB metal TableTop® with special hardened pins to offer superior wear resistance properties.

Series	Ra µm
Rexnord 10-Series	0.5
Rexnord 60-Series	0.3
Rexnord 60-Series HB	0.3
Rexnord 66-Series XHB	0.3
Rexnord SS-Series	0.5
Rexnord S-Series	not applicable

Mean surface finish of TableTop slatband chain



Flatness In Width Direction



Flatness In Running Direction

Flatness In Running Direction

Series	Flatness mm
Rexnord X-Line Chains	0.08
Rexnord Slideline Chains	0.10
Rexnord standard Chains	0.15
Rexnord SSC OPTI-Plus® Chains	0.10
Rexnord standard Chains	0.15



Metal TableTop chains are available in the following materials:

Rexnord	
SS 805/815/881	Austenitic chrome nickel stainless steel with properties similar to 18/8 material, offering good chemical resistance. These chains are fitted with pins in austenitic stainless steel
SS 802/812	Ferritic chrome stainless steel for general purposes, offering a mix of good wear life and high strength. These chains are fitted with pins in AISI 431(1.4057) material
S/SC	Thorough hardened carbon steel, very suitable for glassworks and other dry, abrasive applications, offering extremely high working loads and superior wear resistance. These chains are fitted with hardened carbon steel pins

Rexnord chain description starts with the material, followed by an 8.. number for the type and finally the width.

For example SSC8811TAB-4.5IN is an Opti-Plus sideflexing TAB 4 1/2" wide chain.

Rexnord	
10-Series	Specially treated 17% chrome ferritic stainless steel for general applications, offering a long wear life and high strength, together with good sliding properties. It is fitted with pins in AISI 431(1.4057) material
60-Series	Special chrome nickel ferritic stainless steel for heavy duty and high-speed applications, requiring very smooth transfer of (unstable) products. It is offering superior sliding properties and the highest working loads. These chains are fitted with pins in AISI 431(1.4057) material
60-Series HB	Special chrome nickel ferritic stainless steel for heavy duty and high-speed applications, requiring very smooth transfer of (unstable) products. It is offering superior sliding properties and the highest working loads. These chains are fitted with Hardened pins (HB) in AISI 431(1.4057) material
66-Series XHB	Special chrome nickel ferritic stainless steel for heavy duty and high-speed applications, requiring very smooth transfer of (unstable) products. It is offering superior sliding properties and the highest working loads. Furthermore the 66-series offers ultimate wearlife. These chains are fitted with special alloy process hardened pins.
661-Series	The 1" pitch chain design offers: Special chrome nickel ferritic stainless steel for heavy duty and high-speed applications, requiring very smooth transfer of (unstable) products. It is offering superior sliding properties and high working loads. Furthermore the 661-series offers ultimate wearlife.

The chain description starts with the material, followed by an S for straight running, M for Magnetflex, followed by the width and finally the execution: S for Slideline, X for X-line, M for Max-Line and R for Rubber.

For example 60 S 31 XM is a 60-Series straight running 3/4" wide chain with Max-Line and X-Line.

X-line Chains have extreme precision flatness and superior sliding properties.

Slideline Chains offer very close tolerances with respect to flatness and surface finish.

Max-line Chains take care of perfect product support, thanks to maximum plate surface.

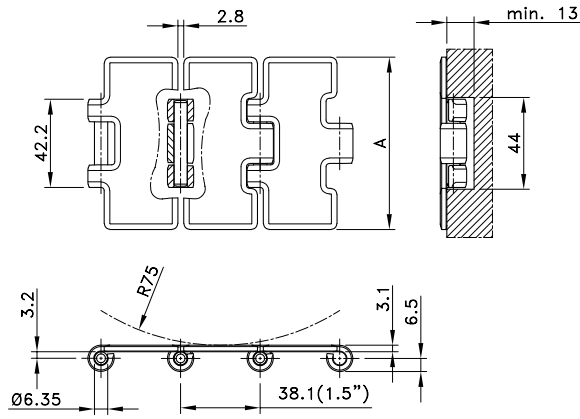
Application

Chain Material	Mass Handling	Inliner Standard	Inliner High-Speed	Abrasive Wet	Abrasive Dry	Chemicals	Incline	Crate Handling
10-Series								
SS 812/802								
60-Series								
60-Series HB								
66-Series XHB								
SS 815/805/881								
Rubber Top								

Optional

Best choice

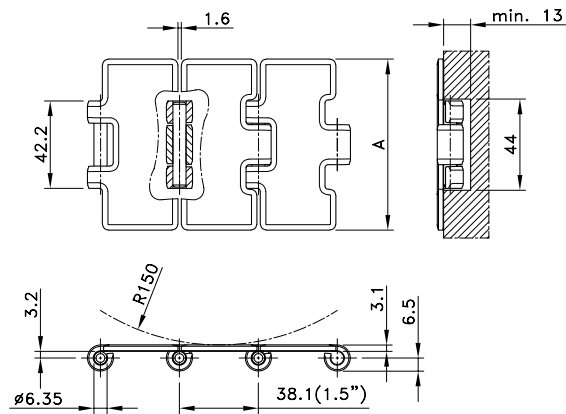
Straight Run Single Hinge



Chain Type	Code Number	Plate Width		Weight	Surface Flatness (max.)	Polished Hinge Eyes	Working Load (max.)
		A					
		mm	inch	kg/m	mm	N	
10-Series							
10S31	10139369	82.5	3.25	2.55	0.10	no	4950

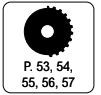
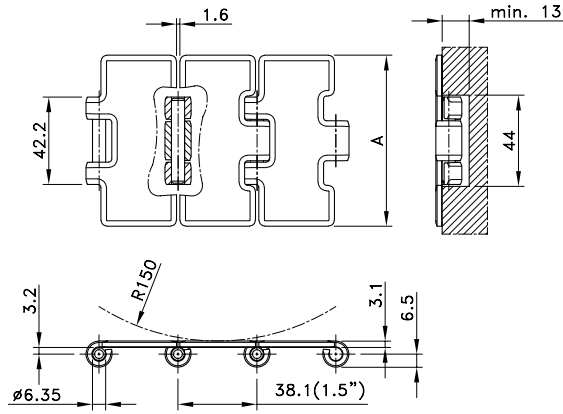
Standard length: 3.048 m - 10 feet (80 links).

Straight Run Single Hinge Max-Line



Chain Type	Code Number	Plate Width		Weight	Surface Flatness (max.)	Polished Hinge Eyes	Working Load (max.)
		A					
		mm	inch	kg/m	mm	N	
10-Series							
10S31M	10139371	82.5	3.25	2.61	0.18	no	4950
10S42M	10375167	114.3	4.50	3.28	0.25	no	
10S72M	10139372	190.5	7.50	4.99	0.60	no	
60-Series							
60S22M	10375173	63.5	2.50	2.14	0.10	no	6000
60S25M	10375175	66.7	2.63	2.27	0.18	no	
60S23M	10375174	69.9	2.75	2.34	0.18	no	
60S30M	10375176	76.2	3.00	2.43	0.18	no	
60S31M	10139386	82.5	3.25	2.61	0.18	no	
60S31XM	10139394	82.5	3.25	2.61	0.08	yes	
60S84XM	10139395	84.0	3.30	2.63	0.08	yes	
60S32M	10375177	88.9	3.50	2.71	0.18	no	
60S40M	10139387	101.6	4.00	3.17	0.25	no	
60S42M	10139388	114.3	4.50	3.28	0.25	no	
60S60M	10375178	152.4	6.00	4.14	0.40	no	
60S72M	10139389	190.5	7.50	4.99	0.60	no	

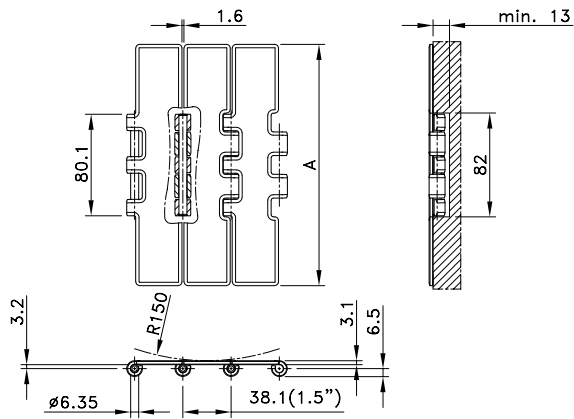
Straight Run Single Hinge Max-Line (continued)



Chain Type	Code Number	Plate Width A		Weight kg/m	Surface Flatness (max.) mm	Polished Hinge Eyes	Working Load (max.) N
		mm	inch				
60-Series HB							
60S31XM HB	10374925	82.5	3.25	2.50	0.08	yes	6000
60S84XM HB	10375095	83.8	3.30	2.52	0.08	yes	
66-Series XHB							
66S31XM XHB	10139367	82.5	3.25	2.61	0.08	yes	6000
66S84XM XHB	10139368	83.8	3.30	2.63	0.08	yes	
66S72M XHB	10375156	190.5	7.50	4.99	0.60	no	
Carbon Steel							
S815-2.25IN	10139396	57.2	2.25	2.12	0.40	no	8350
S815-2.63IN	10139397	66.7	2.63	2.27	0.40	no	
S815-3.25IN	10139398	82.5	3.25	2.61	0.40	no	
S815-4IN	10139400	101.6	4.00	3.17	0.50	no	
S815-4.5IN	10139401	114.3	4.50	3.28	0.60	no	
S815-6IN	10139402	152.4	6.00	4.14	0.80	no	
S815-7.5IN	10139403	190.5	7.50	4.99	0.90	no	
Austenitic Chrome Nickel							
SS815-2.25IN	10139374	57.2	2.25	2.12	0.18	no	3500
SS815-2.625IN	10139376	66.7	2.63	2.27	0.18	no	
SS815-3.25IN	10139376	82.5	3.25	2.61	0.18	no	
SS815-3.5IN	10139378	88.9	3.50	2.71	0.18	no	
SS815-4IN	10139379	101.6	4.00	3.17	0.25	no	
SS815-4.5IN	10139380	114.3	4.50	3.28	0.25	no	
SS815-6IN	10139381	152.4	6.00	4.14	0.40	no	
SS815-7.5IN	10139382	190.5	7.50	4.99	0.60	no	

Standard length: 3.048 m - 10 feet (80 links).

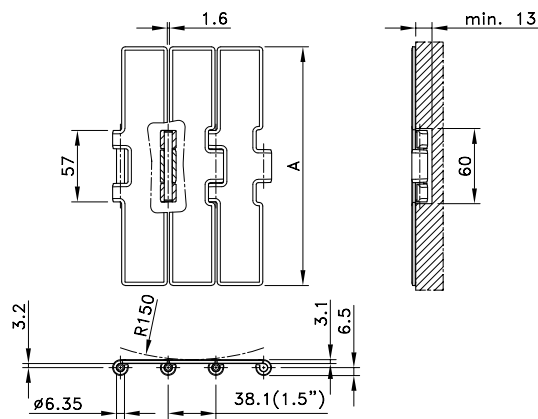
Straight Run Double Hinge Max-Line



Chain Type	Code Number	Plate Width		Weight	Surface Flatness (max.)	Polished Hinge Eyes	Working Load (max.)
		mm	inch				
66-Series							
66S77M	10375158	190.5	7.50	5.64	0.60	no	8900
Opti-Plus							
SSC802-4.5IN	10375231	114.3	4.50	4.00	0.25	no	8900
SSC802-7.5IN	10068061	190.5	7.50	5.64	0.60	no	
Carbon Steel							
SC800-7.5IN	10068062	190.5	7.50	5.64	0.90	no	15000

Standard length: 3.048 m - 10 feet (80 links).

Straight Run Heavy Duty Max-Line

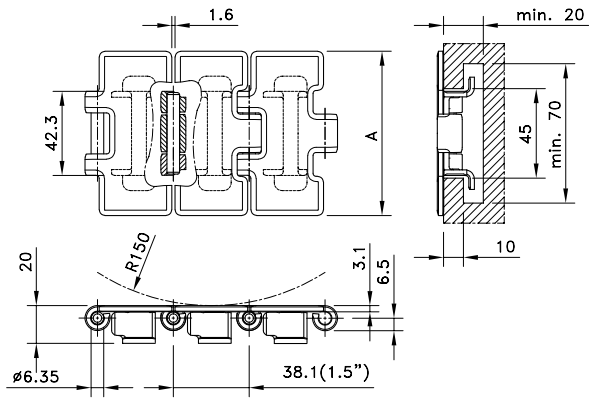


Chain Type	Code Number	Plate Width		Weight	Surface Flatness (max.)	Polished Hinge Eyes	Working Load (max.)
		mm	inch				
60-Series							
60S75M	10375097	190.5	7.50	5.10	0.60	no	7000
66-Series							
66S75M	10375157	190.5	7.50	5.10	0.60	no	7000

Standard length: 3.048 m - 10 feet (80 links).

NOTE: 60 S 75 M is recommended for medium duty applications, 66 S 75 M is recommended for heavy duty applications.

Straight Run Single Hinge Tab Max-Line

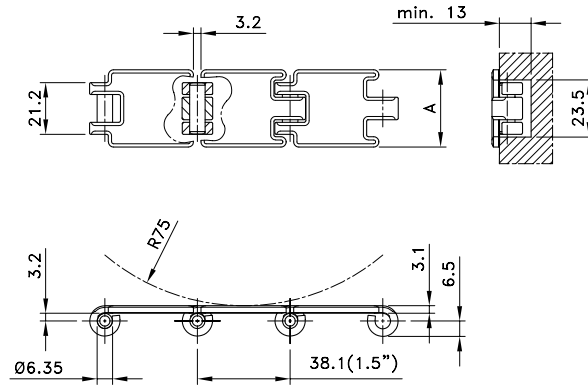


Chain Type	Code Number	Plate Width		Weight	Surface Flatness (max.)	Polished Hinge Eyes	Working Load (max.)
		A					
		mm	inch	kg/m	mm		N
Opti-Plus							
SSC812TAB-3.25IN	10375218	82.5	3.25	3.14	0.18	no	6000
SSC812TAB-4.5IN	10375219	114.3	4.50	3.88	0.25	no	
SSC812TAB-7.5IN	10375221	190.5	7.50	5.67	0.60	no	

Standard length: 3.048 m - 10 feet (80 links).

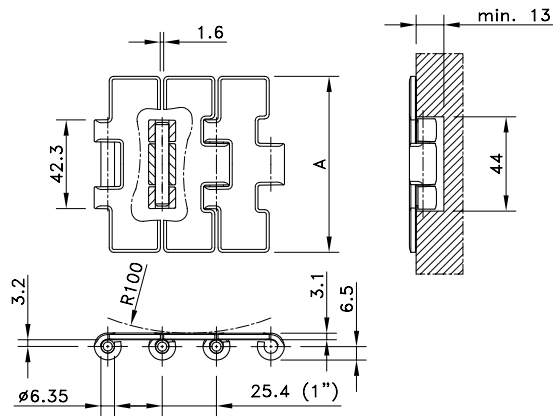


Straight Run Mini Hinge



Chain Type	Code Number	Plate Width		Weight	Surface Flatness (max.)	Polished Hinge Eyes	Working Load (max.)
		mm	inch				
60-Series							
60S11	10139384	31.8	1.25	1.07	0.18	no	2500
60S13	10375171	44.5	1.75	1.35	0.18	no	

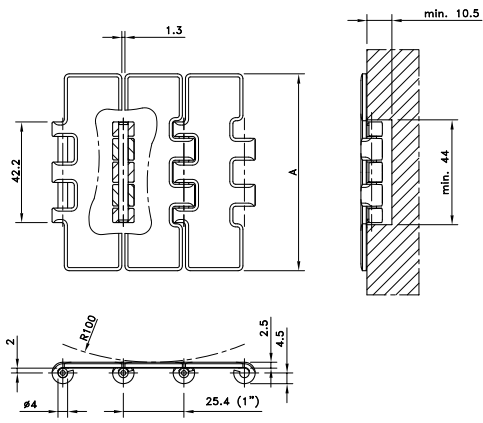
Straight Run Single Hinge Max-Line 1"



Chain Type	Code Number	Plate Width		Weight	Surface Flatness (max.)	Polished Hinge Eyes	Working Load (max.)
		mm	inch				
Opti-Plus							
SSC512-2.17IN	10178888	55.1	2.17	2.29	0.18	no	5000
SSC512-2.51N	10375236	63.5	2.50	2.49	0.18	no	
SSC512-2.83IN	10375239	71.9	2.83	2.65	0.18	no	
SSC512-2.83IN	10375239	82.5	3.25	2.86	0.18	no	
SSC512-3.51N	10375241	88.9	3.50	3.01	0.18	no	
SSC512-4IN	10375242	101.6	4.00	3.26	0.25	no	

Standard length: 3.048 m - 10 feet (120 links).

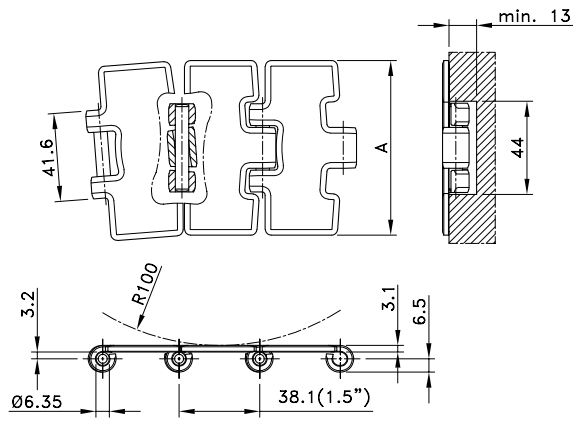
Straight Run Double Hinge Max-Line 1”



Chain Type	Code Number	Plate Width A		Weight kg/m	Surface Flatness (max.) mm	Polished Hinge Eyes	Working Load (max.) N
		mm	inch				
661-Series							
661S31SM	10186166	82.5	3.25	1.96	0.10	yes	5100
661S84SM	10375162	83.8	3.30	1.97			

Standard length: 3.048 m – 10 feet (120 links).

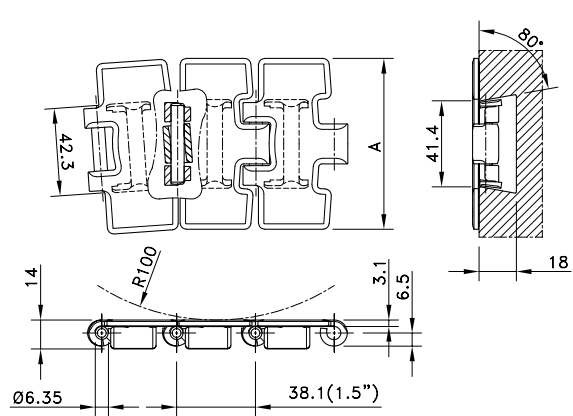
Magnetflex® Single Hinge Max-Line



Chain Type	Code Number	Plate Width A		Weight kg/m	Surface Flatness (max.) mm	Polished Hinge Eyes	Working Load (max.) N
		mm	inch				
10-Series							
10M31M	10139432	82.5	3.25	2.50	0.18	yes	4950
10M42M	10139433	114.3	4.50	3.12	0.25	yes	
10M72M	10139434	190.5	7.50	4.59	0.60	yes	
60-Series							
60M31M	10139435	82.5	3.25	2.50	0.18	yes	6000
60M31XM	10139438	82.5	3.25	2.50	0.08	yes	
60M84XM	10139439	83.8	3.30	2.52	0.08	yes	
60M42M	10139436	114.3	4.50	3.12	0.25	yes	
60M72M	10139437	190.5	7.50	4.59	0.60	yes	
60-Series HB							
60M31XM HB	10303023	82.5	3.25	2.61	0.08	yes	6000
60M84XM HB	10201075	83.8	3.30	2.63	0.08	yes	
66-Series XHB							
66M31XM XHB	10139430	82.5	3.25	2.50	0.08	yes	6000
66M84XM XHB	10139431	83.8	3.30	2.52	0.08	yes	
66M72M XHB	10375099	190.5	7.50	4.59	0.60	yes	

Standard length: 3.048 m - 10 feet (80 links). Sideflex radius min. 500 mm.

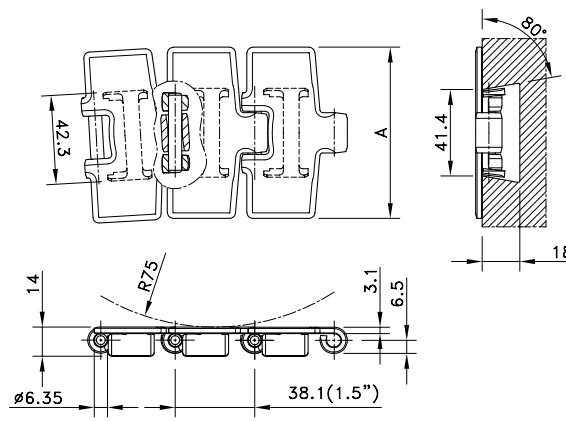
Sideflex Single Hinge Bevel Max-Line



Chain Type	Code Number	Plate Width A		Weight kg/m	Surface Flatness (max.) mm	Polished Hinge Eyes	Working Load (max.) N
		mm	inch				
Opti-Plus							
SSC8811B-3.25IN	10375214	82.5	3.25	2.90	0.18	no	6000
SSC8811B-3.5IN	10375215	88.9	3.50	3.10	0.18	no	
SSC8811B-4.5IN	10068071	114.3	4.50	3.60	0.25	no	
SSC8811B-7.5IN	10068072	190.5	7.50	5.30	0.60	no	

Standard length: 3.048 m - 10 feet (80 links). Sideflex radius min. 500 mm.

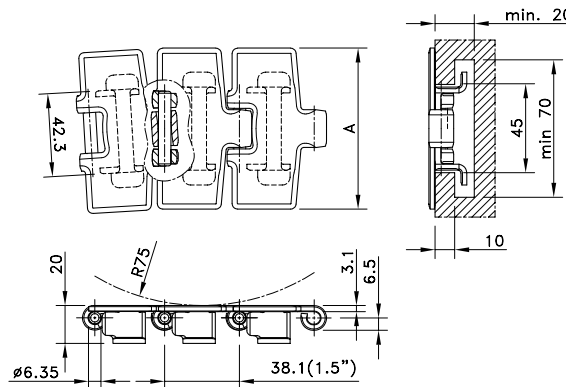
Sideflex Single Hinge Bevel



Chain Type	Code Number	Plate Width A		Weight kg/m	Surface Flatness (max.) mm	Polished Hinge Eyes	Working Load (max.) N
		mm	inch				
Austenitic Chrome Nickel							
SS881B-3.25IN	10139419	82.5	3.25	2.97	0.18	no	3500
SS881B-4.5IN	10139420	114.3	4.50	3.71	0.25	no	
SS881B-7.5IN	10139421	190.5	7.50	5.49	0.60	no	
Carbon Steel							
S881B-3.25IN	10139426	82.5	3.25	2.97	0.40	no	8350
S881B-4.5IN	10139427	114.3	4.50	3.71	0.60	no	
S881B-7.5IN	10139428	190.5	7.50	5.49	0.90	no	

Standard length: 3.048 m - 10 feet (80 links).
Sideflex radius min. 500 mm.

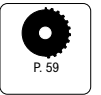
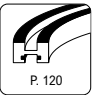
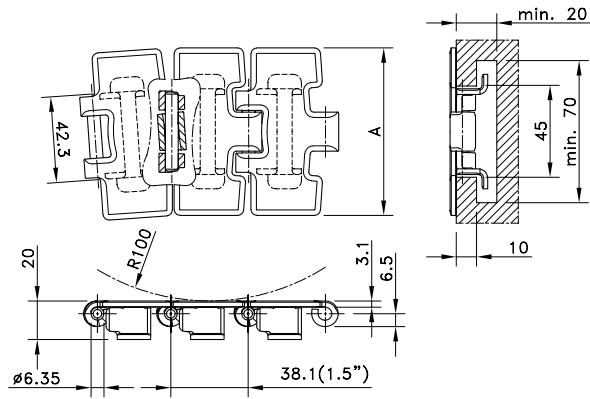
Sideflex Single Hinge Tab



Chain Type	Code Number	Plate Width A		Weight kg/m	Surface Flatness (max.) mm	Polished Hinge Eyes	Working Load (max.) N
		mm	inch				
Austenitic Chrome Nickel							
SS881TAB-3.25IN	10139416	82.5	3.25	2.97	0.18	no	3500
SS881TAB-4.5IN	10139417	114.3	4.50	3.71	0.25	no	
SS881TAB-7.5IN	10139418	190.5	7.50	5.49	0.60	no	
Carbon Steel							
S881TAB-3.25IN	10139423	82.5	3.25	2.97	0.40	no	8350
S881TAB-4.5IN	10139424	114.3	4.50	3.71	0.60	no	
S881TAB-4.5IN	10139425	190.5	7.50	5.49	0.90	no	

Standard length: 3.048 m - 10 feet (80 links).
Sideflex radius min. 500 mm.

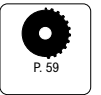
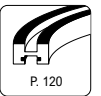
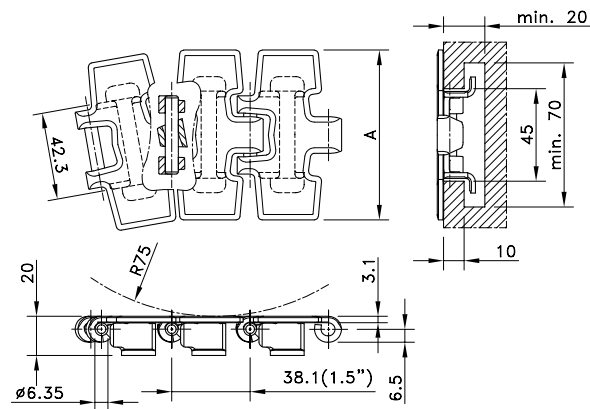
Sideflex Single Hinge Tab Max-Line



Chain Type	Code Number	Plate Width A		Weight kg/m	Surface Flatness (max.) mm	Polished Hinge Eyes	Working Load (max.) N
		mm	inch				
10-Series							
10T31M	10139441	82.5	3.25	3.10	0.18	no	4950
Opti-Plus							
SSC8811TAB-3.25IN	10068068	82.5	3.25	3.10	0.18	no	6000
SSC8811TAB-3.5IN	10375211	88.9	3.50	3.30	0.18	no	
SSC8811TAB-4.5IN	10068069	114.3	4.50	3.80	0.25	no	
SSC8811TAB-7.5IN	10068070	190.5	7.50	5.50	0.60	no	

Standard length: 3.048 m - 10 feet (80 links).
Sideflex radius min. 500 mm.

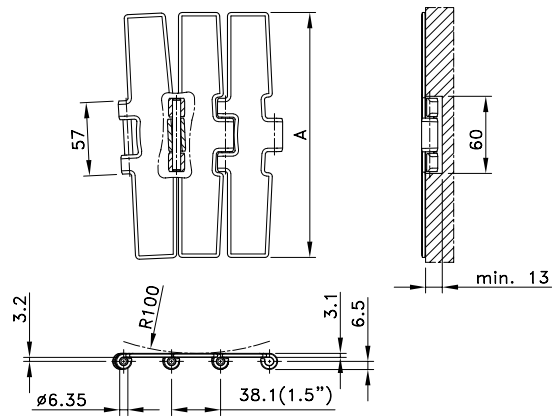
Sideflex Single Hinge Small Radius



Chain Type	Code Number	Plate Width A		Weight kg/m	Surface Flatness (max.) mm	Polished Hinge Eyes	Working Load (max.) N
		mm	inch				
Opti-Plus							
SSR8811TAB BO-3.25IN	10375072	82.5	3.25	3.10	0.18	no	4500

Standard length: 3.048 m - 10 feet (80 links).
Sideflex radius min. 200 mm.

Magnetflex® Heavy Duty Max-Line



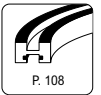
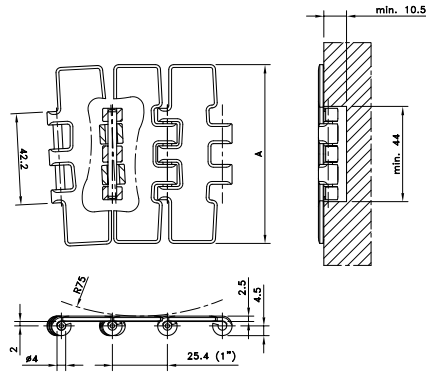
Chain Type	Code Number	Plate Width A		Weight kg/m	Surface Flatness (max.) mm	Polished Hinge Eyes	Working Load (max.) N
		mm	inch				
60-Series							
60M75M	10374937	190.5	7.50	5.03	0.60	yes	7000
66-Series							
66M75M	10375100	190.5	7.50	5.03	0.60	yes	7000

Standard length: 3.048 m - 10 feet (80 links).

Sideflex radius min. 750 mm.

NOTE: 60 M 75 M is recommended for medium duty applications, 66 M 75 M is recommended for heavy duty applications.

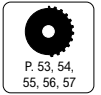
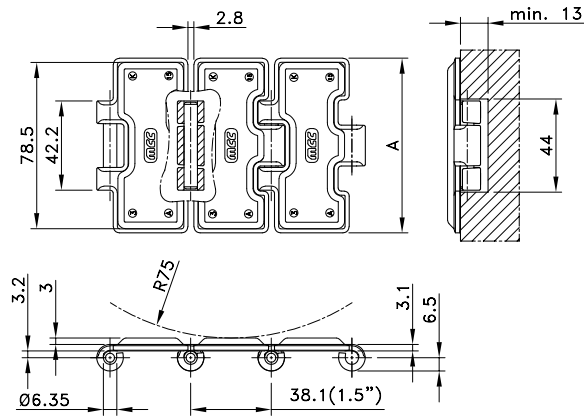
Magnetflex® Double Hinge Max-Line 1”



Chain Type	Code Number	Plate Width		Weight	Surface Flatness (max.)	Polished Hinge Eyes	Working Load (max.)
		A					
		mm	inch				kg/m
661-Series							
661M31SM	10375108	82.5	3.25	1.96	0.10	yes	5100
661M84SM	10375109	83.8	3.30	1.97			

Standard length: 3.048 m – 10 feet (120 links).
Sideflex radius min. 500 mm.

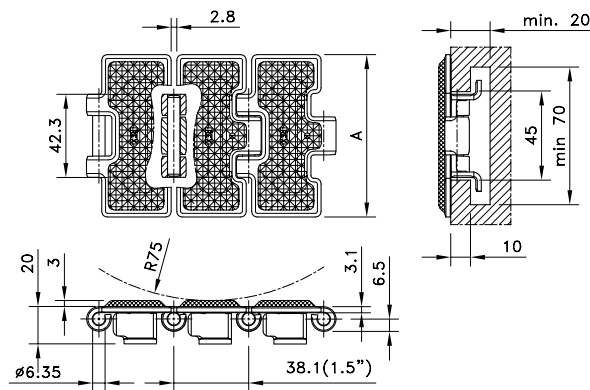
Straight Run Single Hinge RubberTop®



Chain Type	Code Number	Plate Width A		Weight kg/m	Polished Hinge Eyes	Working Load (max.) N
		mm	inch			
66-Series						
66S31R	10139365	82.5	3.25	2.80	no	6000

Standard length: 3.048 m - 10 feet (80 links).

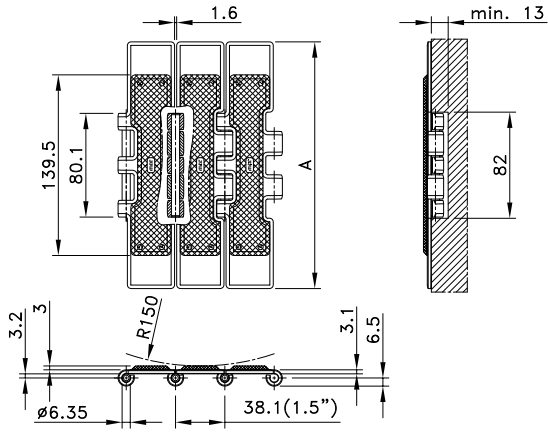
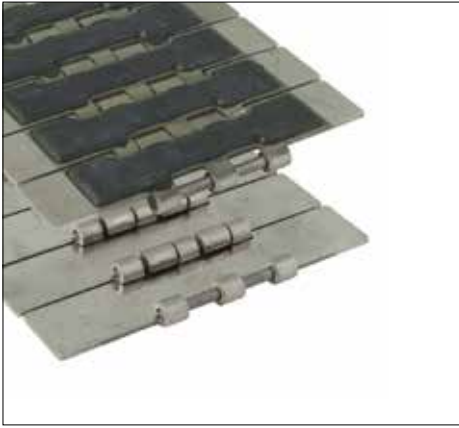
Straight Run Single Hinge Tab RubberTop®



Chain Type	Code Number	Plate Width A		Weight kg/m	Polished Hinge Eyes	Working Load (max.) N
		mm	inch			
Opti-Plus						
SSR812RT TAB-3.25IN	10068067	82.5	3.25	3.40	no	6000

Standard length: 3.048 m - 10 feet (80 links).

Straight Run Double Hinge Max-Line RubberTop®

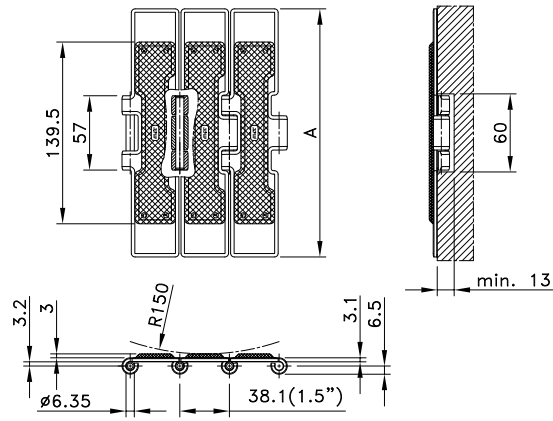
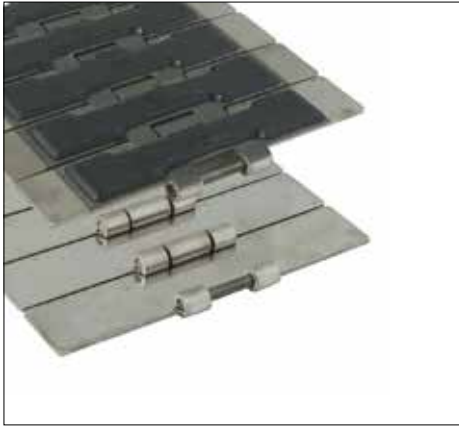


Chain Type	Code Number	Plate Width		Weight	Polished Hinge Eyes	Working Load (max.)
		A				
66-Series						
		mm	inch	kg/m		N
66S77RM	10139366	190.5	7.50	6.20	no	8900

Standard length: 3.048 m - 10 feet (80 links).



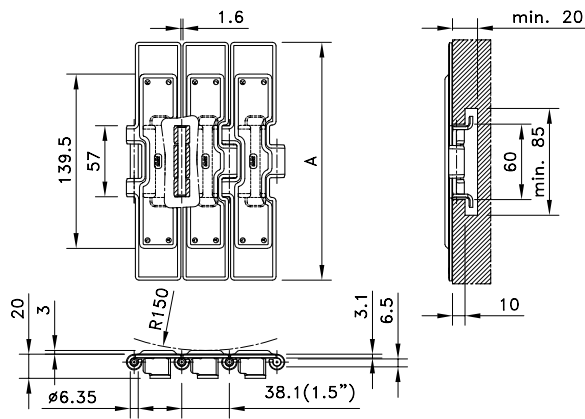
Straight Run Heavy Duty Max-Line RubberTop®



Chain Type	Code Number	Plate Width A		Weight kg/m	Polished Hinge Eyes	Working Load (max.) N
		mm	inch			
66-Series						
66S75RM	10139128	190.5	7.50	5.21	no	7000

Standard length: 3.048 m - 10 feet (80 links).

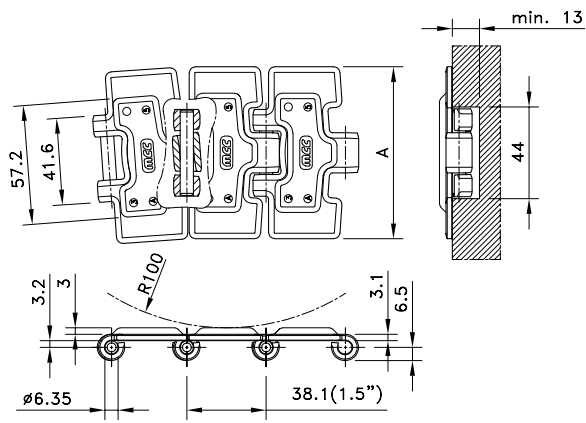
Straight Run Heavy Duty Tab Max-Line RubberTop®



Chain Type	Code Number	Plate Width A		Weight kg/m	Polished Hinge Eyes	Working Load (max.) N
		mm	inch			
66-Series						
66ST75RM	10375069	190.5	7.50	6.21	no	7000

Standard length: 3.048 m - 10 feet (80 links).

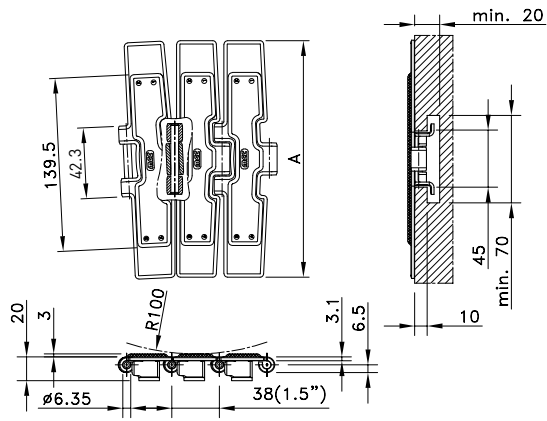
Magnetflex® Single Hinge Max-Line RubberTop®



Chain Type	Code Number	Plate Width		Weight	Polished Hinge Eyes	Working Load (max.)
		A				
		mm	inch	kg/m	N	
66-Series						
66M72RM	10375103	190.5	7.50	4.70	yes	6000

Standard length: 3.048 m - 10 feet (80 links).
Sideflex radius min. 500 mm.

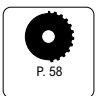
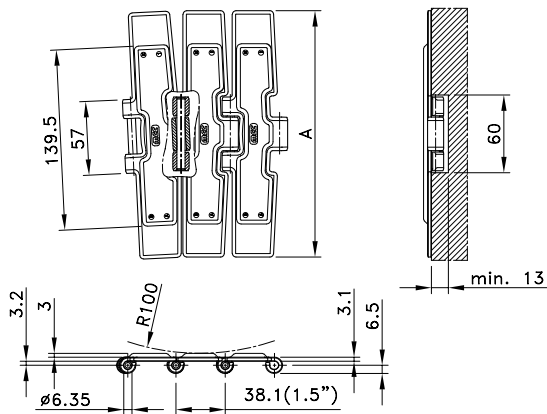
Side-flexing Single Hinge Tab Max-Line RubberTop®



Chain Type	Code Number	Plate Width A		Weight kg/m	Polished Hinge Eyes	Working Load (max.) N
		mm	inch			
66-Series						
66T72RM	10375073	190.5	7.50	5.30	no	6000
Opti-Plus						
SSC8811RT TAB-3.25IN	10375217	82.5	3.25	3.30	no	6000

Standard length: 3.048 m - 10 feet (80 links).
Sideflex radius min. 500 mm.

Magnetflex® Heavy Duty Max-Line RubberTop®



Chain Type	Code Number	Plate Width A		Weight kg/m	Polished Hinge Eyes	Working Load (max.) N
		mm	inch			
66-Series						
66M75RM	10375101	190.5	7.50	5.14	yes	7000

Standard length: 3.048 m - 10 feet (80 links).
Sideflex radius min. 750 mm.

From standard low friction to specialized high-tech materials for very specific applications, the Rexnord plastic TableTop range is capable of delivering a wide range of solutions for conveyor applications for virtually any industry.

Features

High strength materials

For dry running and lubricated beverage applications and also for abrasive applications in glass works, special materials are available, offering high PV resistance or very low friction.

Sliding properties

To ensure superior sliding properties, Rexnord uses a number of chain materials. In many cases these materials are especially defined for conveyor applications. All different materials have friction coefficients tailored to the intended application.

Flatness

The design of the mould and the control of the production process take care of flatness values meeting the highest standards. Together with the optimum sliding properties, this will prevent tipping of the products conveyed.

Standardization

In case handling a number of different chains are used. Standard chains (LF, HP) are used for general conveying of cases, trays or crates. High friction versions (Rubber Top, SuperGrip) are used for inclines and declines or on stopper belts. Version with rollers (LBP) are used in lines feeding palletizers in order to reduce the backline pressure and noise. The wide product range allows standardization of case handling conveyors, as a result of the same sprockets, track width, return rollers, return design, wearstrips and hinge width, also in co-operation with stainless steel (60 M 75 and 60 S 75). If plastic modular belts are used for straight running, sideflexing chainbelts are ideal for conveyors with 85 mm pitch; FGM 1040, FTM 1040 and FTM 1060 match with 1000- and 8500-series with 1005- and 7700-series. These chains feature a maximum support area and excellent transfers, even in small radii. For demanding applications FGM/FTM Magnetflex versions are recommended, whilst the FT tab versions are intended for less critical circumstances.

84 mm wide chains

Rexnord offers a complete range of both plastic and steel chains with 84 mm width, intended for the global beverage standard 85 mm pitch between the lanes of multi-lane conveyors. In plastic chains the straight running SHP84 and the sideflexing RHMP84 are companions, running on the same sprockets. The gap between the different tracks/lanes is minimized compared to the traditional 3.25" chains as well as the gap between the links of the chains, to offer superior product handling and minimize the risks of products falling.

D-pins

SHP, RHMP, 1060, 1055, 879, 880 and 882 chains have D-style pins. Once assembled, the pin retention is done by means of geometrical fit instead of mechanical tension on the hinge eyes. This makes the chain less sensitive for attack by chemicals; it also allows (dis)assembly from both sides of the chains, reducing the chance of error.



Plastic slabband chains are available in the following materials:

Rexnord	
LF	Low Friction acetal (POM) and special blend of lubricants. This can reduce wear up to 15% over plain acetal; it is intended for high output applications at moderate to high speeds for general conveying.
HP	High Performance Advanced performance polymer alloy designed specifically for run dry applications; intended for dry running or reduced lubrication and high-speed applications.
PSX	Advanced performance polymer alloy designed specifically for run dry applications. PSX material is developed for high-speed conveying of glass bottles, PET bottles and cans in conditions where minimal or no external lubrication is present. Rexnord MatTop and TableTop chains in PSX material offer a long wear life with minimal dust forming in dry running applications.
BWX	Polyamide composite to extend chain wear life in abrasive circumstances up to five times compared to acetal materials; to be used in glass handling applications where abrasive shards of glass can wear other plastic chain materials rapidly; it is also applicable when the chain is subjected to sand and dirt.
DKA	Aramide reinforced acetal (POM) for wet or dry abrasive conditions, offering enhanced wear properties over plain acetals in combination with the low friction of a lubricated material. This material is available on request for a selected range of TableTop products.
DRY-PT	Material designed specifically for conveying of PET containers without need for external lubrication Advanced performance polymer alloy designed specifically for run dry PET applications. It's not recommended for glass & can applications. Colour: Lime Green.
GLA	Especially designed material for glass manufacturing. Extremely suited for high abrasion environments, high humidity surroundings and for low to medium speed applications. Black toughened abrasion resistance Acetal. Can be easily cleaned with water.

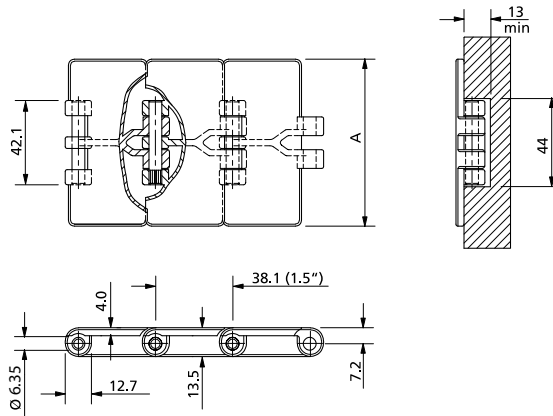
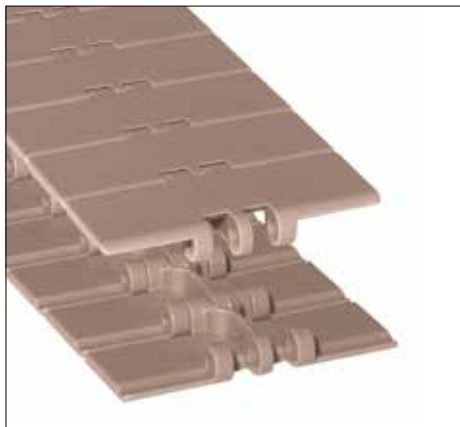
Anti-static and chemical resistant materials can be supplied for a limited number of chains. Please ask Customer Service for more details.

Application

Chain Material	Mass Handling	Inliner Standard	Inliner High-Speed	Abrasive Wet	Abrasive Dry
LF					
HP					
PSX					
BWX					
DKA					
DRY-PT					
GLA					

Optional	Best choice
----------	-------------

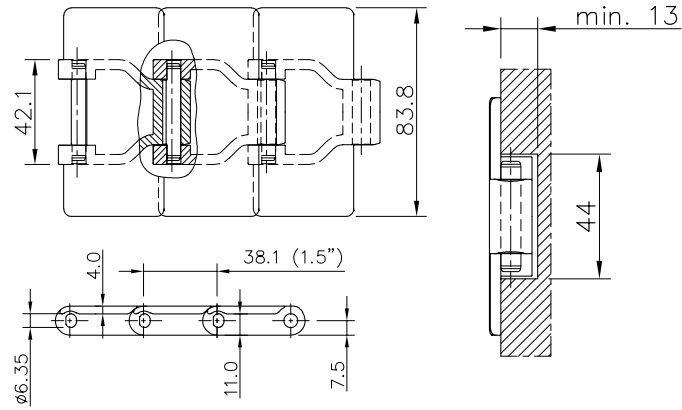
Straight Run Single Hinge



Chain Type	Code Number	Plate Width		Weight	Working Load (max.)	Backflex Radius (min)	Plate Thickness
		A					
		mm	inch	kg/m	N (21°C)	mm	mm
LF-Acetal							
LF820-2.5IN	10373807	63.5	2.50	0.73	1230	50	4.0
LF820-3.25IN	10177685	82.5	3.25	0.83			
LF820-3.3IN	10139109	83.8	3.30	0.82			
LF820-3.43IN	10373793	87.0	3.43	0.85			
LF820-3.5IN	10177476	88.9	3.50	0.87			
LF820-4IN	10177687	101.6	4.00	0.95			
LF820-4.5IN	10177688	114.3	4.50	1.03			
LF820-6IN	10177689	152.4	6.00	1.25			
LF820-7.5IN	10177691	190.5	7.50	1.47			
HP-Acetal							
HP820-3.25IN	10144603	82.5	3.25	0.83	1230	50	4.0
HP820-3.43IN	10373794	87.0	3.43	0.85			
HP820-3.5IN	10373809	88.9	3.50	0.87			
HP820-4IN	10144606	101.6	4.00	0.95			
HP820-4.5IN	10144607	114.3	4.50	1.03			
HP820-6IN	10144608	152.4	6.00	1.25			
HP820-7.5IN	10144609	190.5	7.50	1.47			
PSX Advanced Performance Polymer Alloy							
PSX820-3.25IN	10291554	82.5	3.25	0.82	1230	50	4.0
PSX820-3.3IN	10375061	83.8	3.30	0.82			
BWX-Polyamide Composite							
BWX820-3.25IN	10373860	82.5	3.25	0.83	1230	50	4.0
BWX820-4.5IN	10373857	114.3	4.50	1.03			
BWX820-6IN	10373813	152.4	6.00	1.25			
BWX820-7.5IN	10373863	190.5	7.50	1.47			

* Pins made of black reinforced polyamide for non-magnetic or chemical applications. Ask customer service for minimum order quantity. Standard length: 3.048 m - 10 feet (80 links).

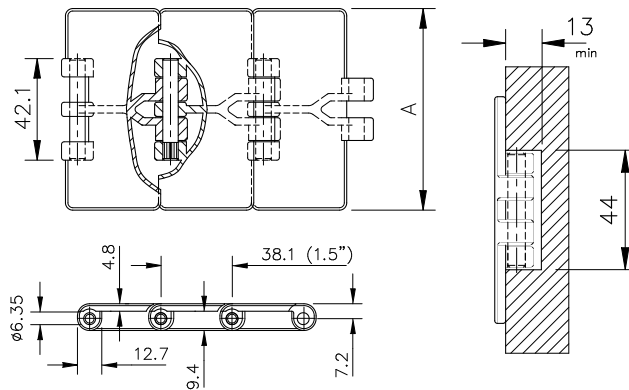
Straight Run Single Hinge Sideflex Joint Hinge



Chain Type	Code Number	Plate Width A		Weight kg/m	Working Load (max.) N (21°C)	Backflex Radius (min) mm	Plate Thickness mm
		mm	inch				
LF-Acetal							
LF_SHP-3.25IN	10375041	82.5	3.25	0.94	2100	50	4.0
LF_SHP-84MM	10139106	83.8	3.30	0.94			
PSX Advanced Performance Polymer Alloy							
PSX_SHP-3.25IN	10375060	82.5	3.25	0.94	2100	50	4.0
PSX_SHP-84MM	10375059	83.8	3.30	0.94			

Standard length: 3.048 m - 10 feet (80 links).

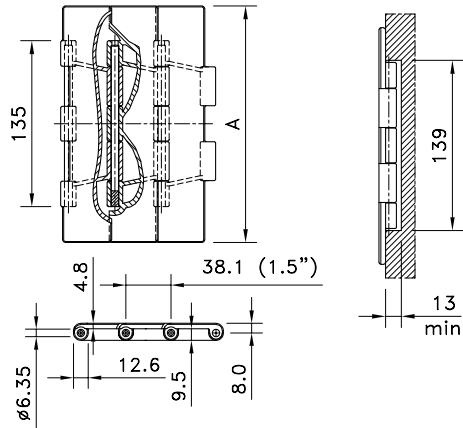
Straight Run Single Hinge With Thick Top Plate



Chain Type	Code Number	Plate Width A		Weight kg/m	Working Load (max.) N (21°C)	Backflex Radius (min) mm	Plate Thickness mm
		mm	inch				
LF-Acetal							
LF831-3.25IN	10177699	82.5	3.25	0.83	1230	50	4.8
LF831-4.5IN	10177701	4.50	114.3	1.03			
LF831-7.5IN	10177703	190.5	7.50	1.47			
HP-Acetal							
HP831-3.25IN	10144614	82.5	3.25	0.83	1230	50	4.8
HP831-4.5IN	10144615	4.50	114.3	1.03			
HP831-7.5IN	10144616	190.5	7.50	1.47			
PSX Advanced Performance Polymer Alloy							
PSX831-3.25IN	10292222	82.5	3.25	0.87	1230	50	4.8

Standard length: 3.048 m - 10 feet (80 links).

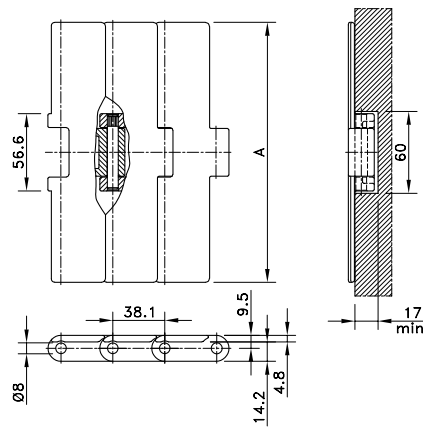
Straight Run Double Hinge



Chain Type	Code Number	Plate Width		Weight	Working Load (max.)	Backflex Radius (min)	Plate Thickness
		A					
		mm	inch	kg/m	N (21°C)	mm	mm
LF-Acetal							
LF821-7.5IN	10177696	190.5	7.50	2.50	2680	50	4.8
LF821-10IN	10177694	254.0	10.00	2.95			
LF821-12IN	10177695	304.8	12.00	3.25			
HP-Acetal							
HP821-7.5IN	10144619	190.5	7.50	2.50	2680	50	4.8
HP821-10IN	10144620	254.0	10.00	2.95			
HP821-12IN	10144621	304.8	12.00	3.25			

Standard length: 3.048 m - 10 feet (80 links).

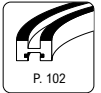
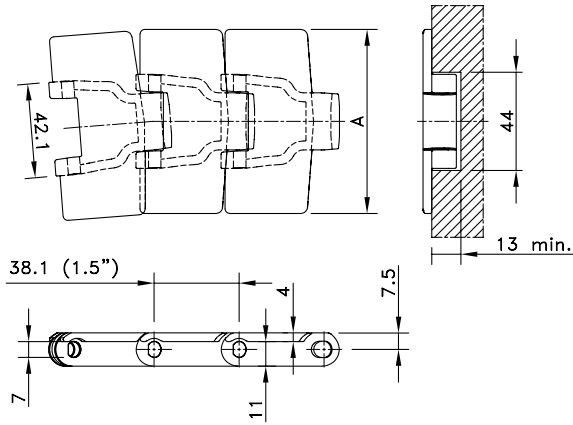
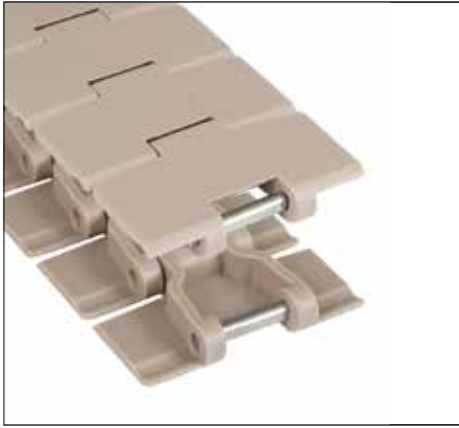
Straight Run Heavy Duty



Chain Type	Code Number	Plate Width		Weight	Working Load (max.)	Backflex Radius (min)	Plate Thickness
		A					
		mm	inch	kg/m	N (21°C)	mm	mm
LF-Acetal							
LF_HDS-7.5IN	10139126	190.5	7.50	2.16	3830	50	4.8
LF_HDS-10IN	10139127	254.0	10.00	2.42			
LF_HDS-12IN	10375135	304.8	12.00	2.69			

Standard length: 3.048 m - 10 feet (80 links).

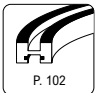
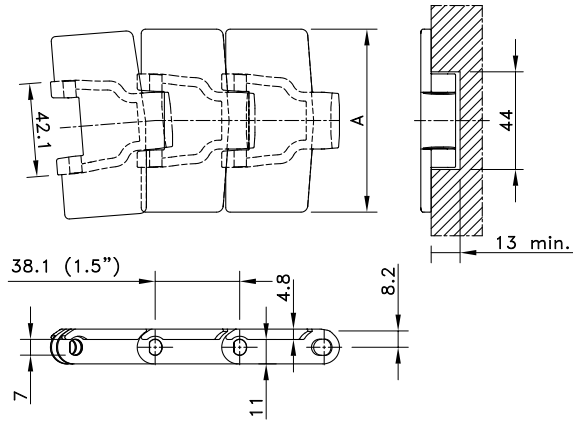
Magnetflex®



Chain Type	Code Number	Plate Width A		Weight kg/m	Sideflex Radius (min) mm	Working Load (max.) N (21°C)	Backflex Radius (min) mm	Plate Thickness mm
		mm	inch					
LF-Acetal								
LF_RHMP-3.25IN	10144173	82.5	3.25	0.82	500	2100	50	4.0
LF_RHMP-84MM	10144177	83.8	3.30	0.82				
LF_RHM-3.5IN	10374880	88.9	3.50	1.10	457			
LF_RHM-4.5IN	10144181	114.3	4.50	1.16				
HP-Acetal								
HP_RHMP-3.25IN	10144179	82.5	3.25	0.82	500	2100	50	4.0
PSX Advanced Performance Polymer Alloy								
PSX_RHMP-3.25IN	10374878	82.5	3.25	0.82	500	2100	50	4.0
PSX_RHMP-84MM	10354767	83.8	3.30	0.82				
BWX-Polyamide Composite								
BWX_RHMP-84MM	10374879	83.8	3.30	0.82	500	2100	50	4.0

Standard length: 3.048 m - 10 feet (80 links).

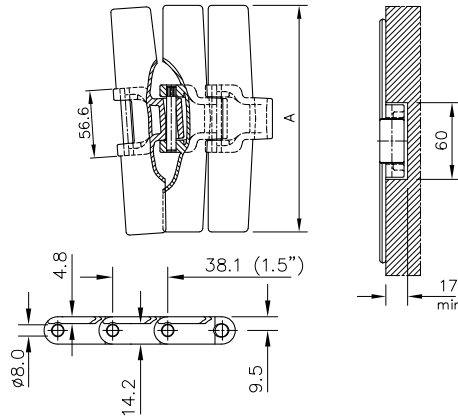
Magnetflex® With Thick Top Plate



Chain Type	Code Number	Plate Width A		Weight kg/m	Sideflex Radius (min) mm	Working Load (max.) N (21°C)	Backflex Radius (min) mm	Plate Thickness mm
		mm	inch					
LF-Acetal								
LF_RHMDP-3.25IN	10144175	82.5	3.25	1.08	500	2100	50	4.8
LF_RHMD-4.5IN	10144182	114.3	4.50	1.26				
PSX Advanced Performance Polymer Alloy								
PSX_RHMDP-3.25IN	10374877	82.5	3.25	0.87	500	2100	50	4.8

Standard length: 3.048 m - 10 feet (80 links).

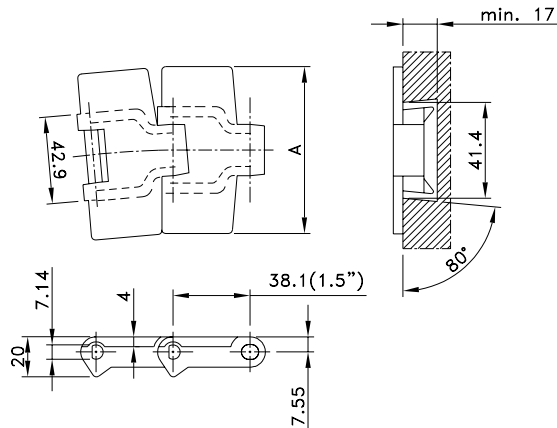
Magnetflex® Heavy Duty



Chain Type	Code Number	Plate Width A		Weight kg/m	Working Load (max.) N (21°C)	Backflex Radius (min) mm	Sideflex Radius (min) mm	Plate Thickness mm
		mm	inch					
LF-Acetal								
LF_HDFM-7.5IN	10139118	190.5	7.50	2.16	3830	50	610	4.8
LF_HDFM-10IN	10139119	254.0	10.00	2.42				
LF_HDFM-12IN	10375019	304.8	12.00	2.69				

Standard length: 3.048 m - 10 feet (80 links).

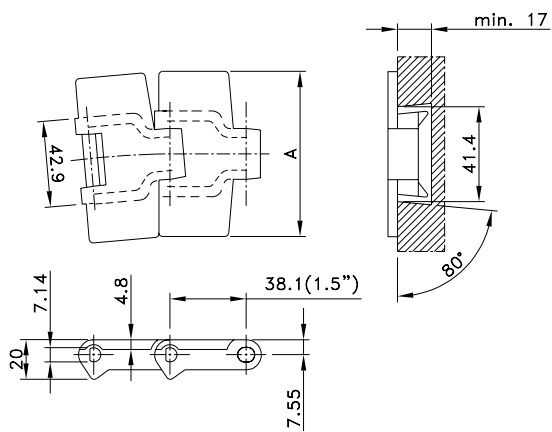
Standard Radius Single Hinge Bevel



Chain Type	Code Number	Plate Width A		Weight kg/m	Sideflex Radius (min) mm	Working Load (max.) N (21°C)	Backflex Radius (min) mm	Plate Thickness mm
		mm	inch					
LF-Acetal								
LF880B-3.25IN	10177732	82.5	3.25	0.89	457	2100	40	4.0
LF880B-4.5IN	10177734	114.3	4.50	1.04				
BWX-Polyamide Composite								
BWX880B-3.25IN	10374143	82.5	3.25	0.89	457	2100	40	4.0
BWX880B-4.5IN	10374137	114.3	4.50	1.04				

Standard length: 3.048 m - 10 feet (80 links).

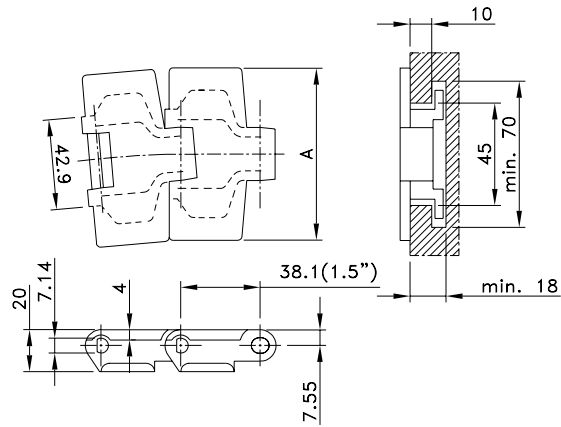
Standard Radius Single Hinge Bevel With Thick Top Plate



Chain Type	Code Number	Plate Width A		Weight kg/m	Sideflex Radius (min) mm	Working Load (max.) N (21°C)	Backflex Radius (min) mm	Plate Thickness mm
		mm	inch					
LF-Acetal								
LF879B-3.25IN	10177724	82.5	3.25	0.89	610	2100	40	4.8
LF879B-4.5IN	10177725	114.3	4.50	1.04				

Standard length: 3.048 m - 10 feet (80 links).

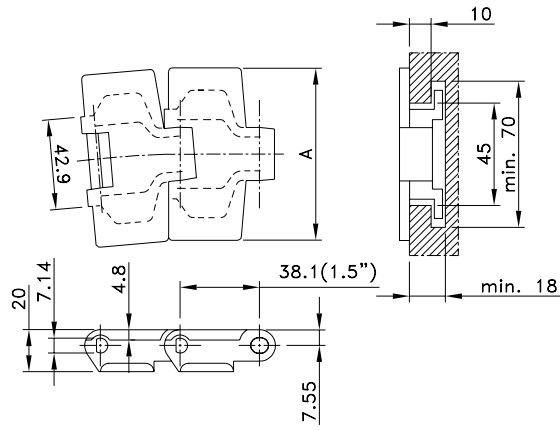
Standard Radius Single Hinge Tab



Chain Type	Code Number	Plate Width		Weight	Sideflex Radius (min)	Working Load (max.)	Backflex Radius (min)	Plate Thickness
		A	A					
LF-Acetal								
LF880TAB-3.25IN	10177740	82.5	3.25	0.94	457	2100	40	4.0
LF880TAB-3.3IN	10375008	83.8	3.3	1.01				
LF880TAB-3.43IN	10374085	87.0	3.43	1.01	500	2100	40	4.0
LF880TAB-3.5IN	10144724	88.9	3.50	1.01				
LF880TAB-4.5IN	10177743	114.3	4.50	1.08	500	1050	40	4.0
LF880TAB-3.25IN SS316	10374084	82.5	3.25	0.94				
LF880TAB-4.5IN PA-PIN	10374084	114.3	4.50	0.91	500	1050	40	4.0
HP-Acetal								
HP880TAB-3.25IN	10144626	82.5	3.25	0.94	457	2100	40	4.0
HP880TAB-3.25IN SS316	10373670	82.5	3.25	0.94				
HP880TAB-4.5IN	10144627	114.3	4.50	1.08	500	2100	40	4.0
HP880TAB-4.5IN SS316	10373669	114.3	4.50	1.08				
BWX-Polyamide Composite								
BWX880TAB-3.25IN	10374144	82.5	3.25	0.94	457	2100	40	4.0
BWX880TAB-4.5IN	10374133	114.3	4.50	1.08				
PSX Advanced Performance Polymer Alloy								
PSX880TAB-3.25IN	10288394	82.5	3.25	0.94	457	2100	40	4.0
PSX880TAB-4.5IN	10288395	114.3	4.50	1.08				
PSX880TAB-4.5IN SS	10374097	114.3	4.50	1.08	457	2100	40	4.0

* Pins made of black reinforced polyamide for non-magnetic or chemical applications. Minimum order quantity 30.48 mtr - 100 feet. Standard length: 3.048 m - 10 feet (80 links).

Standard Radius Single Hinge Tab With Thick Top Plate

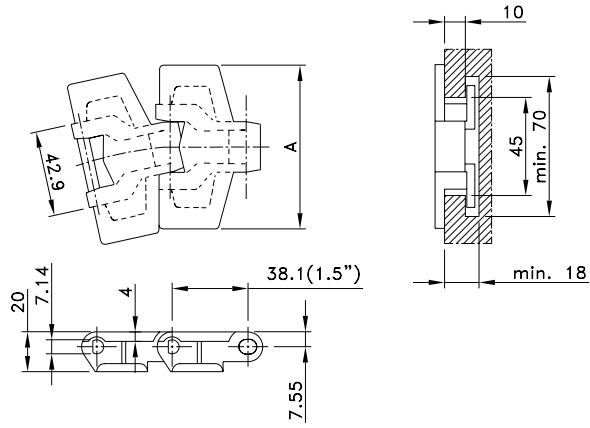


Chain Type	Code Number	Plate Width		Weight	Sideflex Radius (min)	Working Load (max.)	Backflex Radius (min)	Plate Thickness
		A						
		mm	inch	kg/m	mm	N (21°C)	mm	mm
LF-Acetal								
LF879TAB-3.25IN	10177726	82.5	3.25	0.98	457	2100	40	4.8
LF879TAB-4.5IN	10177729	114.3	4.50	1.14	610			

Standard length: 3.048 m - 10 feet (80 links).
 *Minimum order quantity 30.48 m - 100 feet.



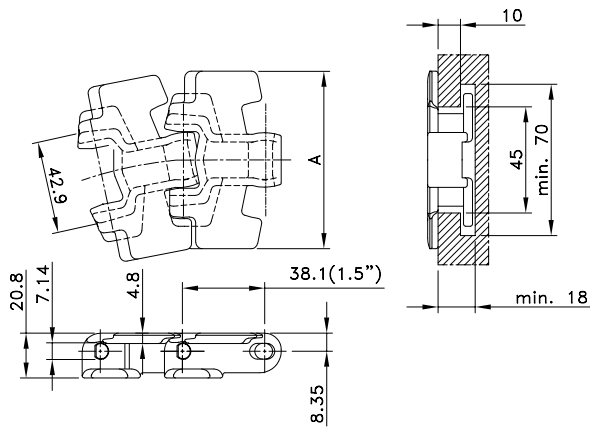
Small Radius Single Hinge Tab



Chain Type	Code Number	Plate Width A		Weight kg/m	Sideflex Radius (min) mm	Working Load (max.) N (21°C)	Backflex Radius (min) mm	Plate Thickness mm
		mm	inch					
LF-Acetal								
LF880TAB BO-3.25IN	10144810	82.5	3.25	0.96	190	1680	40	4.0
LF880TAB BO-4.5IN	10144811	114.3	4.50	1.11				
HP-Acetal								
HP880TAB BO-3.25IN	10144923	82.5	3.25	0.96	190	1680	40	4.0
HP880TAB BO-4.5IN	10144924	114.3	4.50	1.11				

Standard length: 3.048 m - 10 feet (80 links).

Small Radius Single Hinge Tab With Thick Top Plate

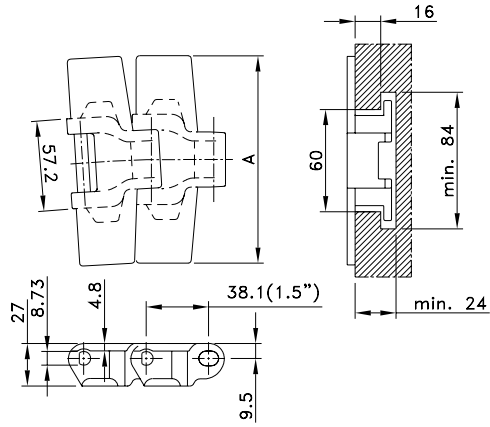


Chain Type	Code Number	Plate Width A		Weight kg/m	Sideflex Radius (min) mm	Working Load (max.) N (21°C)	Backflex Radius (min) mm	Plate Thickness mm
		mm	inch					
LF-Acetal								
LF879TAB BO-3.25IN	10177490	82.5	3.25	1.08	190	2100	40	4.8
LF879TAB BO-4.5IN	10177491	114.3	4.50	1.20				
HP-Acetal								
*HP879TAB BO-3.25IN	10373747	82.5	3.25	1.08	190	2100	40	4.8
HP879TAB BO-4.5IN	10177493	114.3	4.50	1.20				
BWX-Polyamide Composite								
*BWX879TAB BO-3.25IN	10373702	82.5	3.25	1.08	190	2100	40	4.8

Standard length: 3.048 m - 10 feet (80 links).

* Minimum order quantity 30.48 m - 100 feet.

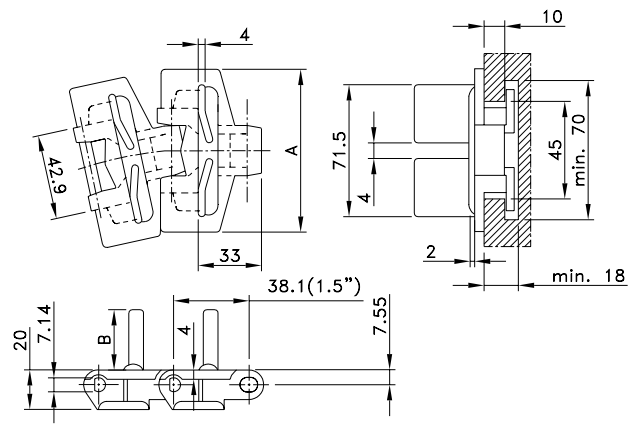
Sideflex Tab Heavy Duty



Chain Type	Code Number	Plate Width A		Weight kg/m	Sideflex Radius (min) mm	Working Load (max.) N (21°C)	Backflex Radius (min) mm	Plate Thickness mm
		mm	inch					
LF-Acetal								
LF882TAB-3.25IN*	10144749	82.5	3.25	1.86	610	3830	40	4.8
LF882TAB-4.5IN	10177754	114.3	4.50	1.98				
LF882TAB-7.5IN	10177755	190.5	7.50	2.43				
LF882TAB-10IN	10177756	254.0	10.00	2.87				
LF882TAB-12IN	10177757	304.8	12.00	3.41				

Standard length: 3.048 m – 10 feet (80 links).
 * Minimum order quantity 30.48 m – 100 feet.

Sideflex Tab With Flights



Chain Type	Code Number	Plate Width		Weight	Sideflex Radius (min)	Working Load (max.)	Backflex Radius (min)	Plate Thickness
		A						
		mm	inch	kg/m	mm	N (21°C)	mm	mm
LF-Acetal								
LF880TAB BO-3.25IN F25MM*	10373674	82.5	3.25	0.96	190	1680	40	4.0
LF880TAB BO-3.25IN F39 T1P**	10374026	82.5	3.25	0.96				

* Height of flight (B) 25 mm.

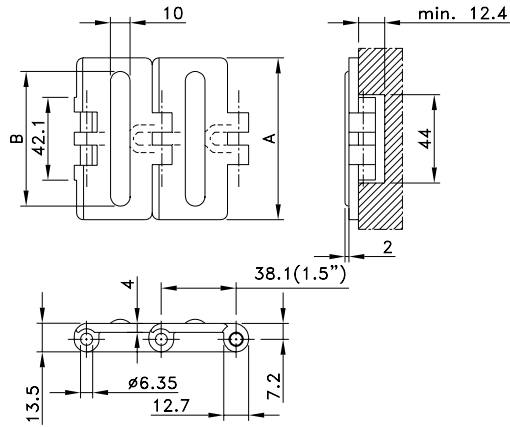
** Height of flight (B) 39 mm.

Standard length: 3.048 m - 10 feet (80 links).

As a standard flights on every second link; other patterns are possible.

Minimum order quantity 30.48 m – 100 feet.

Straight Run Single Hinge



Chain Type	Code Number	Plate Width		Weight	Working Load (max.)	Backflex Radius (min)	Plate Thickness
		A					
		mm	inch	kg/m	N (21°C)	mm	mm
LF-Acetal							
LF820 RT-3.25IN D60	10373800	82.5	3.25	0.83	1230	40	4.0
LF820RT-4IN D60	10373828	101.6	4.00	0.95			
LF820 RT-4.5IN D60	10373868	114.3	4.50	1.03			
LF820 RT-6IN D60	10373829	152.4	6.00	1.25			

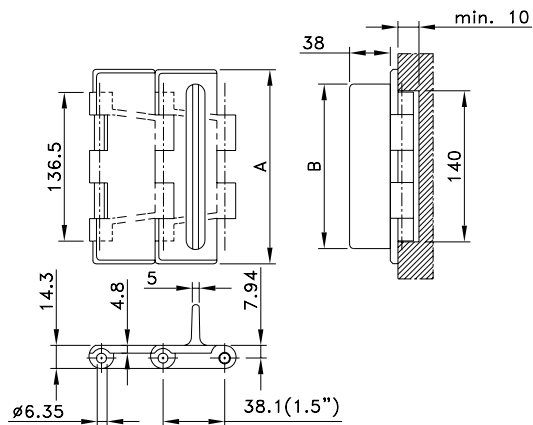
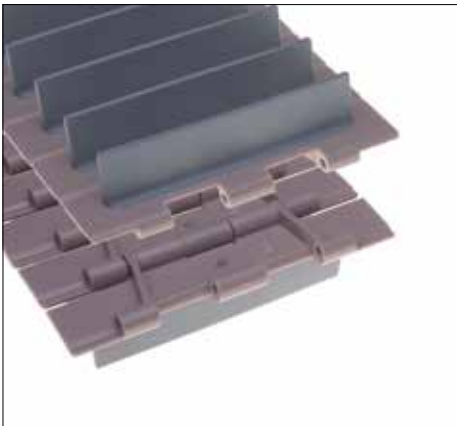
Standard length: 3.048 m - 10 feet (80 links).

The width (B) of the rubber varies per chain type:

65.0, 84, 96 and 135.0 for respectively HFP 820-K325, HFP 820-K400, HFP 820-K450 and HFP 820-K600.

Minimum order quantity 30.48 m – 100 feet.

Straight Run Double Hinge Rubber Pushers



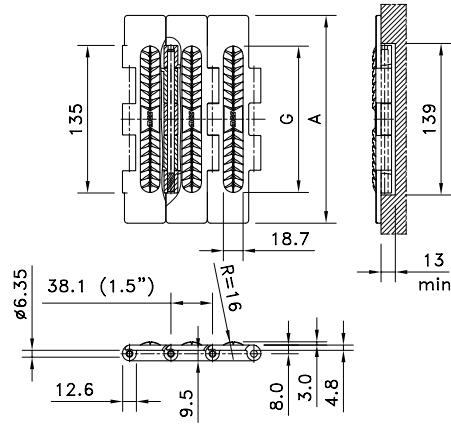
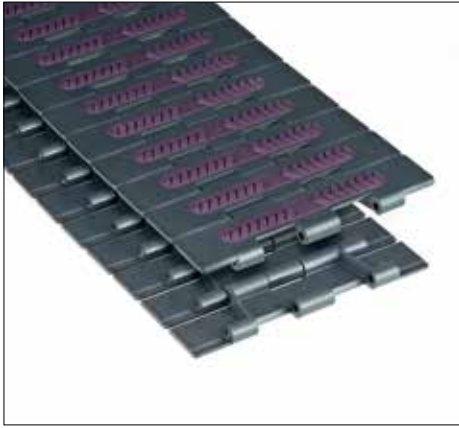
Chain Type	Code Number	Plate Width		Weight	Working Load (max.)	Backflex Radius (min)	Plate Thickness
		A					
		mm	inch	kg/m	N (21°C)	mm	mm
LF-Acetal							
LF821 RT-12IN D90 F38MM	10373678*	304.8	12.00	3.17	2680	70	4.8

Standard length: 3.048 m – 10 feet (80 links).

The width (B) of the pushers varies per chain type:

* Minimum order quantity 30.48 m – 100 feet.

Straight Run Double Hinge Supergrip



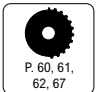
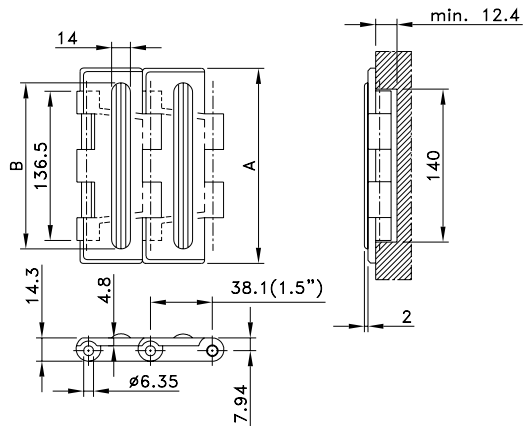
Chain Type	Code Number	Plate Width A		Weight kg/m	Working Load (max.) N (21°C)	Backflex Radius (min) mm	Plate Thickness mm
		mm	inch				
XLA-Acetal							
XLA_SWH SG-7.5IN	10144156	190.5	7.50	2.29	2680	50	4.8
XLA_SWH SG-10IN	10374884	254.0	10.00	2.67			
XLA_SWH SG-12IN	10144157	304.8	12.00	3.06			

Standard length: 3.048 m - 10 feet (80 links).

The width (G) of the moulded-in rubber top varies per chain type:

134, 192.1 and 252.5 mm for respectively SWH 750 SG, SWH 1000 SG and SWH 1200 SG.

Straight Run Double Hinge



Chain Type	Code Number	Plate Width A		Weight kg/m	Working Load (max.) N (21°C)	Backflex Radius (min) mm	Plate Thickness mm
		mm	inch				
LF-Acetal							
LF821 SG-7.5IN D60 T1P	10383883*	190.5	7.50	2.50	2680	40	4.8
LF821 SG-10IN 1SGD60 T1P	10526960*	254.0	10.00	2.95			
LF821 SG-12IN 1SGD60 T1P	10526961*	304.8	12.00	3.25			

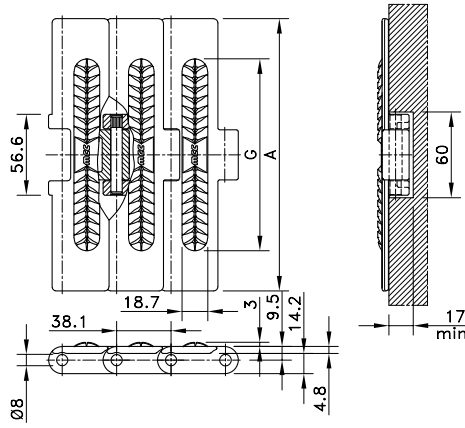
Standard length: 3.048 m - 10 feet (80 links).

The width (B) of the rubber varies per chain type:

132, 195 and 245 mm for respectively HFP 821-K750, HFP 821-K1000 and HFP 821-K1200.

* Minimum order quantity 30.48 m - 100 feet.

Straight Run Heavy Duty Supergrip



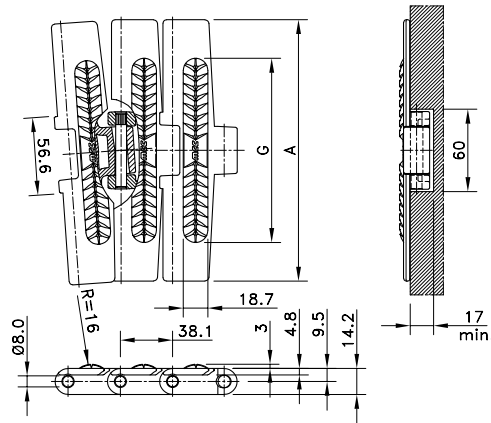
Chain Type	Code Number	Plate Width A		Weight kg/m	Working Load (max.) N (21°C)	Backflex Radius (min) mm	Plate Thickness mm
		mm	inch				
XLA-Acetal							
XLA_HDS SG-4.5IN	10374886	114.3	4.50	1.70	2700	50	4.8
XLA_HDS SG-7.5IN	10144159	190.5	7.50	2.10			
XLA_HDS SG-10IN	10374887	254.0	10.00	2.42			
XLA_HDS SG-12IN	10144160	304.8	12.00	2.69			

Standard length: 3.048 m - 10 feet (80 links).

The width (G) of the moulded-in rubber top varies per chain type:

92, 134, 192 and 252.5 mm for respectively HDS 450 SG, HDS 750 SG, HDS 1000 SG and HDS 1200 SG.

Magnetflex® Heavy Duty Supergrip



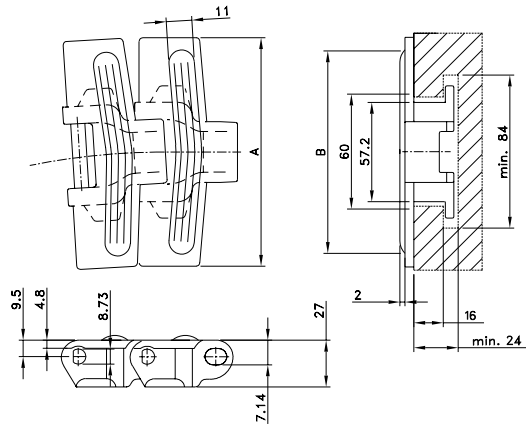
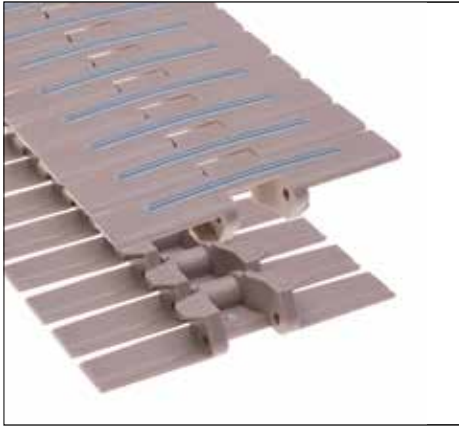
Chain Type	Code Number	Plate Width A		Weight kg/m	Sideflex Radius (min) mm	Working Load (max.) N (21°C)	Backflex Radius (min) mm	Plate Thickness mm
		mm	inch					
XLA-Acetal								
XLA_HDFM SG-7.5IN	10144158	190.5	7.50	2.10	610	2700	50	4.8
XLA_HDFM SG-10IN	10356786	254.0	10.00	2.42				
XLA_HDFM SG-12IN	10374885	304.8	12.00	2.69				

Standard length: 3.048 m - 10 feet (80 links).

The width (G) of the moulded-in rubber top varies per chain type:

134, 192 and 251 mm for respectively HDFM 750 SG, HDFM 1000 SG and HDFM 1200 SG.

Standard Radius Heavy Duty Single Hinge Tab



Chain Type	Code Number	Plate Width		Weight	Sideflex Radius (min)	Working Load (max.)	Backflex Radius (min)	Plate Thickness
		A						
		mm	inch					

LF-Acetal

LF882TAB SG-7.5IN D60	10374032	190.5	7.50	2.43	610	3830	40	4.8
LF882TAB SG-10IN D60	10374037	254.0	10.00	2.87				
LF882TAB SG-12IN D60 T1P	10374033	304.8	12.00	3.41				

Standard length: 3.048 m - 10 feet (80 links).

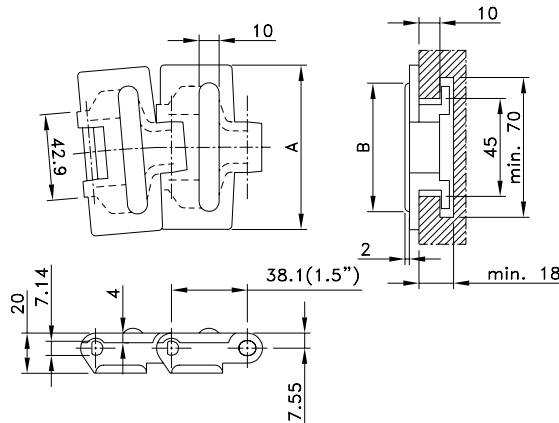
The width (B) of the rubber varies per chain type:

132, 195 and 246 mm for respectively HFP 882 TAB-K750, HFP 882 TAB-K1000 and HFP 882 TAB-K1200.

Other rubber patterns and materials are possible.

Minimum order quantity 30.48 m – 100 feet.

Standard Radius Single Hinge Tab



Chain Type	Code Number	Plate Width		Weight	Sideflex Radius (min)	Working Load (max.)	Backflex Radius (min)	Plate Thickness
		A						
		mm	inch					

LF-Acetal

LF880TAB RT-3.25IN D60 T1P	10481478	82.5	3.25	0.94	457	2100	40	4.0
LF880TAB RT-4.5IN SD60 T1P	10301143	114.3	4.50	1.08	500			

Standard length: 3.048 m - 10 feet (80 links).

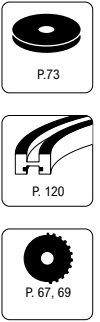
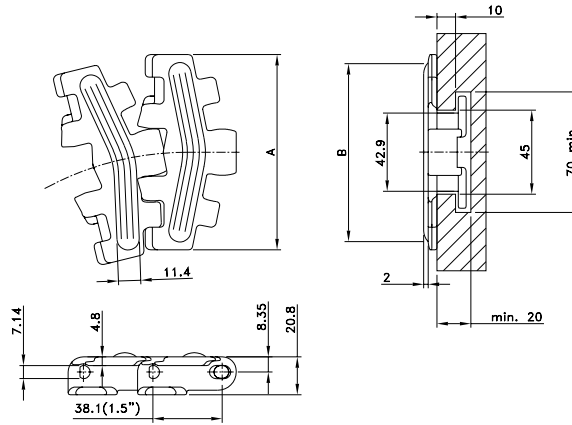
The width (B) of the rubber varies per chain type:

65 and 95 mm for respectively HFP 880 TAB-K325 and HFP 880 TAB-K450.

Other rubber patterns and materials are possible.

* Minimum order quantity 30.48 m – 100 feet.

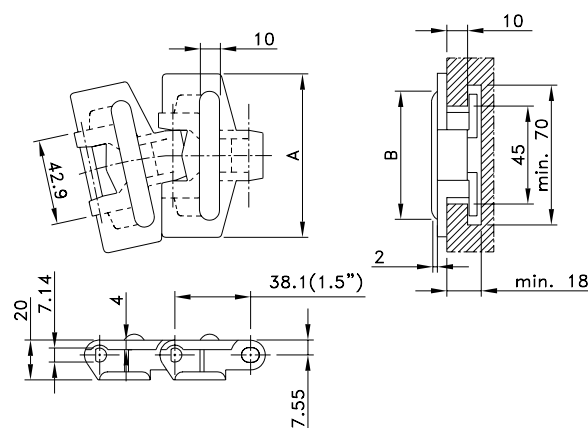
Small Radius Single Hinge Tab



Chain Type	Code Number	Plate Width A		Weight kg/m	Working Load (max.) N (21°C)	Backflex Radius (min) mm	Sideflex Radius (min) mm	Plate Thickness mm
		mm	inch					
LF-Acetal								
LF879TAB BO RT-3.25IN D60 T1P	10373744	82.5	3.25	1.08	2100	40	190	4.8
LF879TAB BO RT-4.5IN D60 T1P	10177492	114.3	4.50	1.20				

Standard length: 3.048 m - 10 feet (80 links).
 The width (B) of the rubber varies per chain type:
 71 and 102 mm for respectively HFP 879 BO-K325 and HFP 879 BO-K450.
 Minimum order quantity 30.48 m – 100 feet.

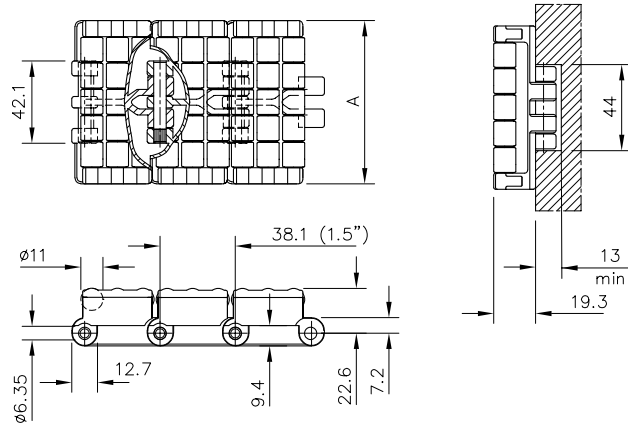
Small Radius Single Hinge Tab



Chain Type	Code Number	Plate Width A		Weight kg/m	Working Load (max.) N (21°C)	Backflex Radius (min) mm	Sideflex Radius (min) mm	Plate Thickness mm
		mm	inch					
LF-Acetal								
LF880TAB BO RT-3.25IN D60	10373675	82.5	3.25	0.96	1680	40	190	4.0

Standard length: 3.048 m - 10 feet (80 links).
 The width (B) of the rubber is 65 mm.
 Other rubber patterns and materials are possible.
 * Minimum order quantity 30.48 m – 100 feet.

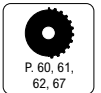
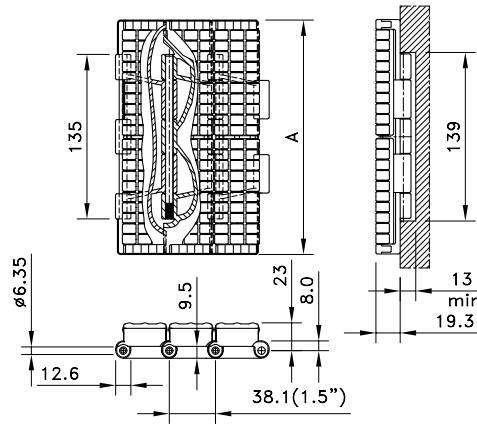
Straight Run Single Hinge LBP



Chain Type	Code Number	Plate Width		Weight	Working Load (max.)	Backflex Radius (min)	Plate Thickness
		A					
		mm	inch				
XLA-Acetal							
XLA_SHD LBP-3.25IN	10139137	82.5	3.25	2.20	1230	400	4.8

Standard length: 1.524 m - 5 feet (40 links).

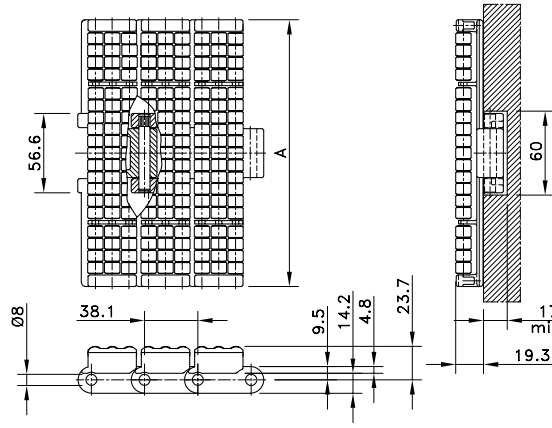
Straight Run Double Hinge LBP



Chain Type	Code Number	Plate Width		Weight	Working Load (max.)	Backflex Radius (min)	Plate Thickness
		A					
		mm	inch				
XLA-Acetal							
XLA_SWH LBP-7.5IN	10139134	190.5	7.50	5.30	2680	300	4.8
XLA_SWH LBP-10IN	10139136	254.0	10.00	6.60			
XLA_SWH LBP-12IN	10139135	304.8	12.00	7.85			

Standard length: 1.524 m - 5 feet (40 links).

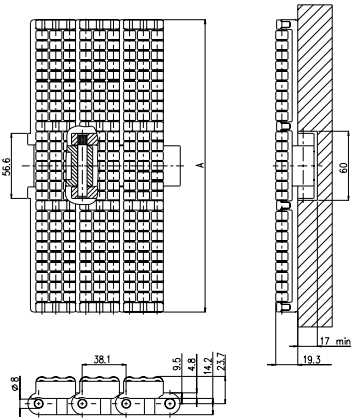
Straight Run Heavy Duty LBP



Chain Type	Code Number	Plate Width		Weight	Working Load (max.)	Backflex Radius (min)	Plate Thickness
		A					
		mm	inch	kg/m	N (21°C)	mm	mm
XLA-Acetal							
XLA_HDS LBP-7.5IN	10139131	190.5	7.50	4.28	3830	200	4.8

Standard length: 1.524 m - 5 feet (40 links).

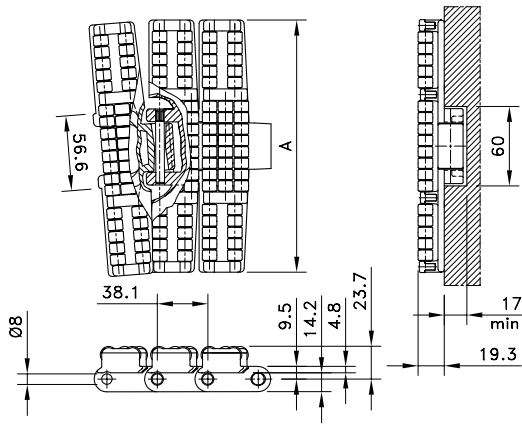
Straight Run Heavy Duty LBP



Chain Type	Code Number	Plate Width		Weight	Working Load (max.)	Backflex Radius (min)	Plate Thickness
		A					
		mm	inch	kg/m	N (21°C)	mm	mm
XLA-Acetal							
XLA_HDS LBP-10IN	10139132	254.0	10.00	5.23	3830	200	4.8
XLA_HDS LBP-12IN	10139133	304.8	12.00	5.83			

Standard length: 1.524 m – 5 feet (40 links).

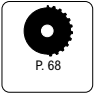
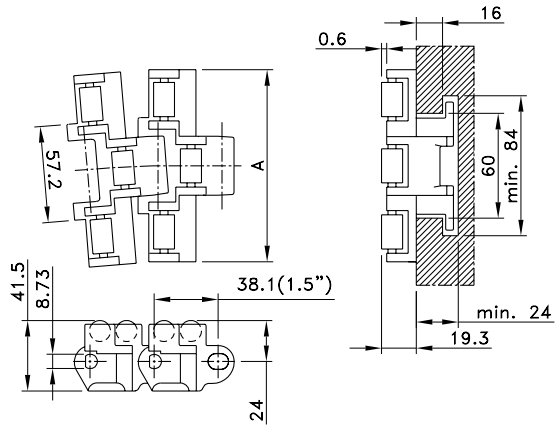
Magnetflex® Heavy Duty LBP



Chain Type	Code Number	Plate Width A		Weight kg/m	Sideflex Radius (min) mm	Working Load (max.) N (21°C)	Backflex Radius (min) mm	Plate Thickness mm
		mm	inch					
XLA-Acetal								
XLA_HDFM LBP-7.5IN	10139139	190.5	7.50	4.28	610	3830	200	4.8
XLA_HDFM LBP-10IN	10139140	254.0	10.00	5.23				
XLA_HDFM LBP-12IN	10139141	304.8	12.00	5.83	680			

Standard length: 1.524 m - 5 feet (40 links).

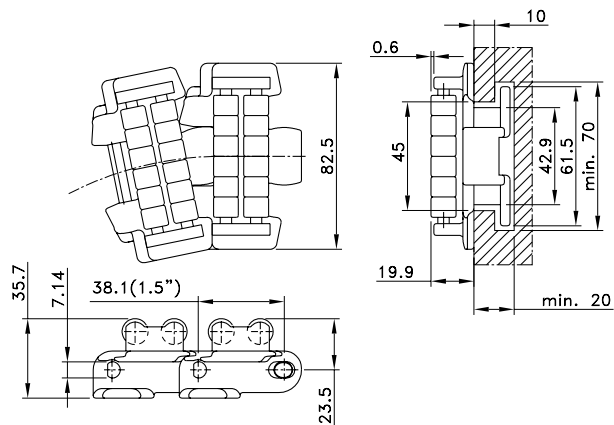
Standard Radius Single Hinge LBP



Chain Type	Code Number	Plate Width A		Weight kg/m	Sideflex Radius (min) mm	Working Load (max.) N (21°C)	Backflex Radius (min) mm	Plate Thickness mm
		mm	inch					
LF-Acetal								
LF883TAB LBP-4.5IN	10177547	114.3	4.50	2.50	610	3830	51	4.8
LF883TAB LBP-7.5IN	10177548	190.5	7.50	3.40				

Standard length: 3.048 m - 10 feet (80 links).

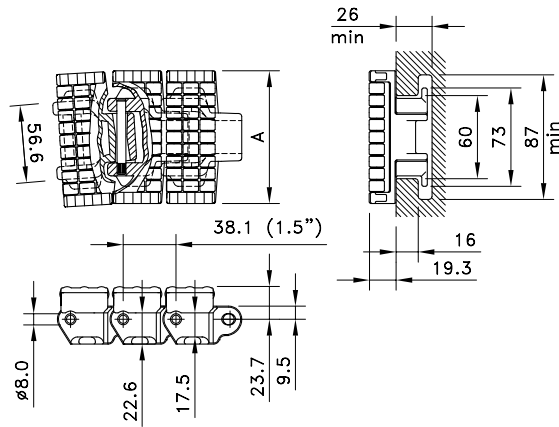
Small Radius Single Hinge Tab LBP



Chain Type	Code Number	Plate Width A		Weight kg/m	Sideflex Radius (min) mm	Working Load (max.) N (21°C)	Backflex Radius (min) mm	Plate Thickness mm
		mm	inch					
LF-Acetal								
LF879TAB BO LBP-3.25IN	10349805	82.5	3.25	1.08	200	2100	100	4.8

Standard length: 3.048 m - 10 feet (80 links).
 * Minimum order quantity 30.48 m - 100 feet.

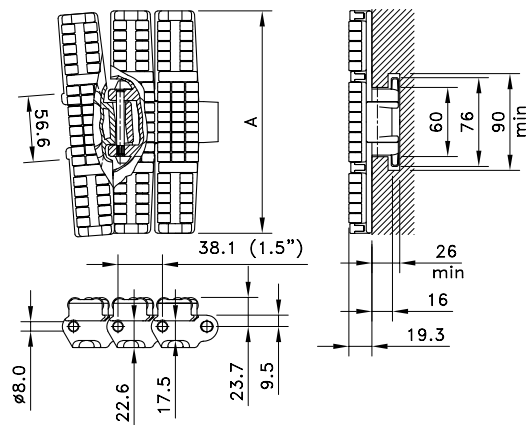
Sideflex Heavy Duty Tab LBP



Chain Type	Code Number	Plate Width		Weight	Sideflex Radius (min)	Working Load (max.)	Backflex Radius (min)	Plate Thickness
		A						
		mm	inch	kg/m	mm	N (21°C)	mm	mm
XLA-Acetal								
XLA_HDF LBP-3.75IN	10139142	95.3	3.75	3.30	667	3830	200	4.8

Standard length: 1.524 m - 5 feet (40 links).

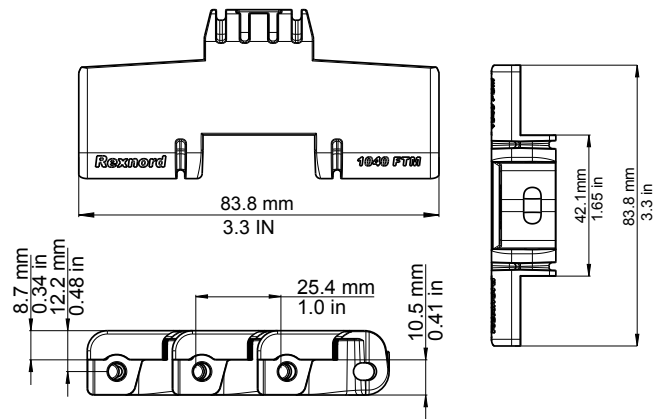
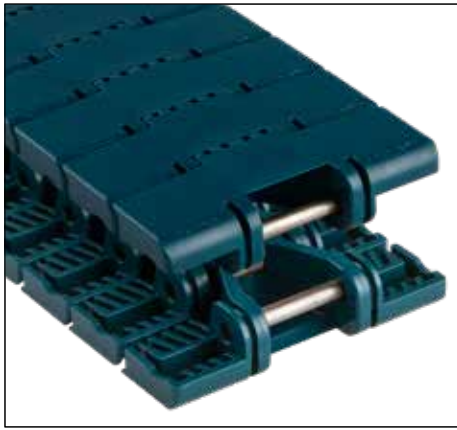
Sideflex Heavy Duty Tab LBP



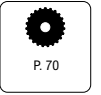
Chain Type	Code Number	Plate Width		Weight	Sideflex Radius (min)	Working Load (max.)	Backflex Radius (min)	Plate Thickness
		A						
		mm	inch	kg/m	mm	N (21°C)	mm	mm
XLA-Acetal								
XLA_HDF LBP-7.5IN	10139143	190.5	7.50	4.50	610	3830	200	4.8
XLA_HDF LBP-10IN	10139144	254.0	10.00	5.71				
XLA_HDF LBP-12IN	10139145	304.8	12.00	6.38	680			

Standard length: 1.524 m - 5 feet (40 links).

FlatTop Magnetflex 1040



P. 117

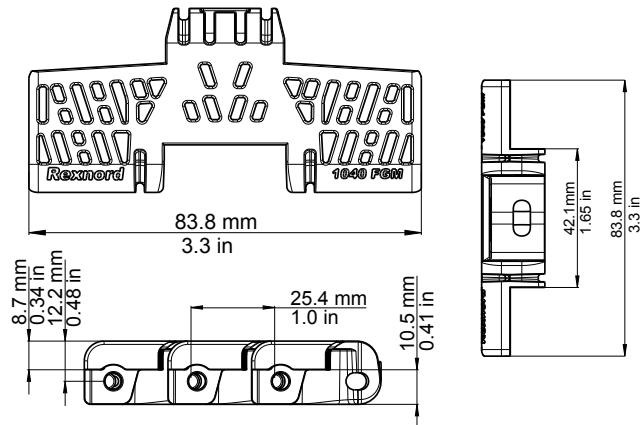
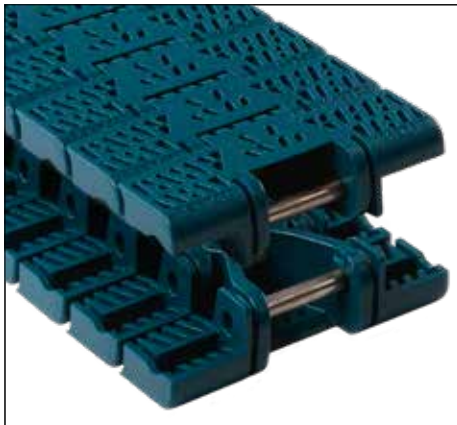


P. 70

Rexnord 1040 Series Magnetflex TableTop Chain Material Overview

Chain Type	Material	Code Number	Working Load (max)	Weight	Backflex Radius (min)	Plate Thickness	Sideflex Radius (min)	Plate Width
			lbs / N	lbs/ft / kg/m	mm / in	mm / in	mm / in	mm / in
DRY-PT1040FTM-3.3IN	DRY-PT	10604554	337 / 1500	0.67 / 1.00	130.0 / 5.12	8.7 / 0.34	500 / 19.7	83.8 / 3.33
PSX1040FTM-3.3IN	PSX	10604578						
XLG1040FTM-3.3IN	XLG	10604555						
HP1040FTM-3.3IN	HP	10608553						
DKA1040FTM-3.3IN	DKA	10608551						

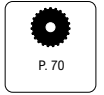
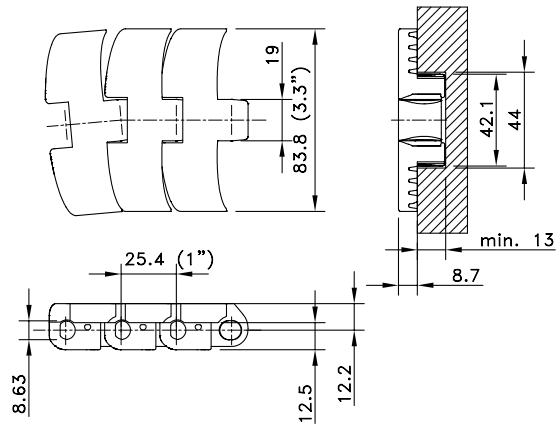
Flush Grid Magnetflex 1040



Rexnord 1040 Series Magnetflex Flush Grid TableTop Chain Material Overview

Chain Type	Material	Code Number	Working Load (max)	Weight	Backflex Radius (min)	Plate Thickness	Sideflex Radius (min)	Plate Width
			lbs / N	lbs/ft / kg/m	mm / in	mm / in	mm / in	mm / in
DRY-PT1040FGM-3.3IN	DRY-PT	10604582	337 / 1500	0.64 / 0.95	130.0 / 5.12	8.7 / 0.34	500 / 19.7	83.8 / 3.33
PSX1040FGM-3.3IN	PSX	10604586						
XLG1040FGM-3.3IN	XLG	10604583						
HP1040FGM-3.3IN	HP	10608555						
DKA1040FGM-3.3IN	DKA	10608554						

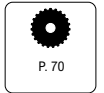
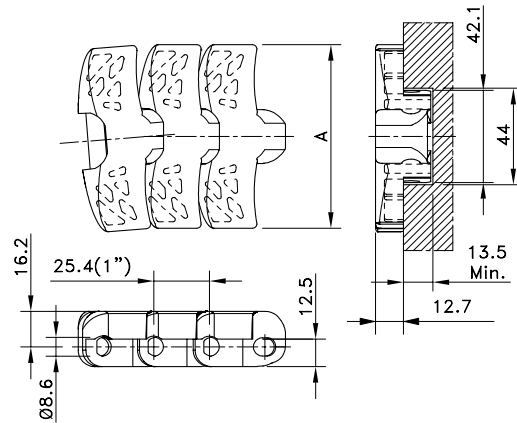
FlatTop Magnetflex® 1060



Chain Type	Code Number	Plate Width		Weight	Sideflex Radius (min)	Working Load (max.)	Backflex Radius (min)	Plate Thickness
		A						
		mm	inch	kg/m	mm	N (21°C)	mm	mm
XLG-Acetal								
XLG1060FTM-3.3IN	10139063	83.8	3.30	1.68	500	1900	130	8.7
PSX Advanced Performance Polymer Alloy								
PSX1060FTM-3.3IN	10312036	83.8	3.30	1.68	500	1900	130	8.7

Standard length: 3.048 m - 10 feet (120 links).

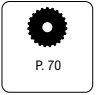
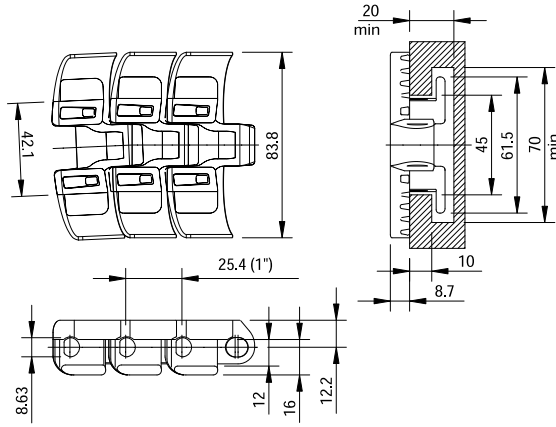
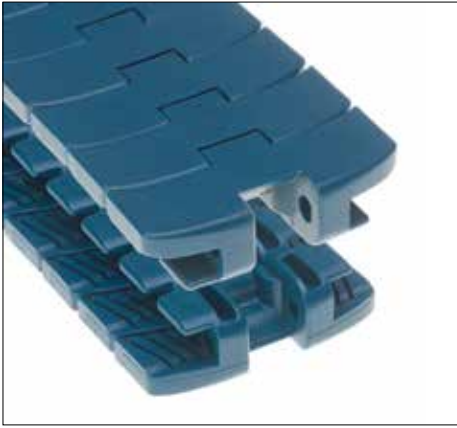
FlatTop Magnetflex® 1055



Chain Type	Code Number	Plate Width		Weight	Sideflex Radius (min)	Working Load (max.)	Backflex Radius (min)	Plate Thickness
		A						
		mm	inch	kg/m	mm	N (21°C)	mm	mm
XLG-Acetal								
XLG1055FTM-3.3IN	10375089	83.8	3.30	1.90	500	2200	130	12.7
XLG1055FTM-4.5IN	10186163	114.3	4.50	2.20				
PSX Advanced Performance Polymer Alloy								
PSX1055FTM-3.3IN	10375002	83.8	3.30	1.90	500	2200	130	12.7

Standard length: 3.048 m - 10 feet (120 links).

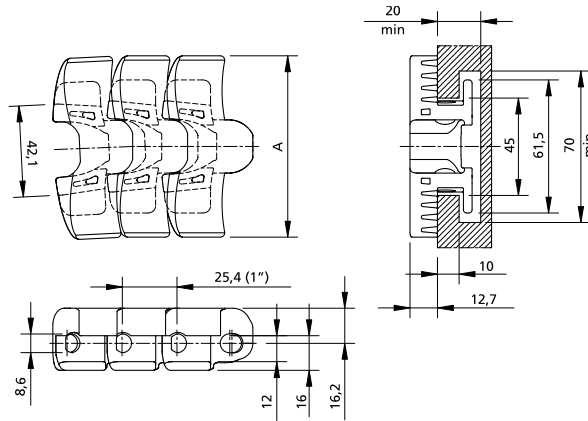
FlatTop 1050 TAB



Chain Type	Code Number	Plate Width		Weight	Sideflex Radius (min)	Working Load (max.)	Backflex Radius (min)	Plate Thickness
		A						
		mm	inch					
XLG-Acetal								
XLG1050FTTAB-3.3IN	10375093	83.8	3.30	1.93	500	1650	130	8.7

Standard length: 3.048 m - 10 feet (120 links).

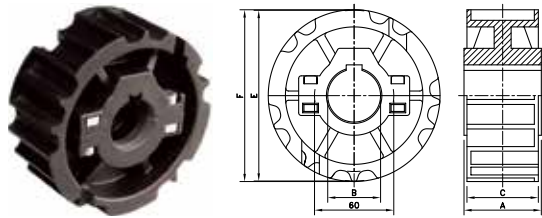
FlatTop 1055 TAB



Chain Type	Code Number	Plate Width		Weight	Sideflex Radius (min)	Working Load (max.)	Backflex Radius (min)	Plate Thickness
		A						
		mm	inch					
XLG-Acetal								
XLG1055FTTAB-3.3IN	10139075	83.8	3.30	2.13	500	2200	130	12.7
XLG1055FTTAB-4.5IN	10374992	114.3	4.50	2.30	500	2200	130	12.7

Standard length: 3.048 m - 10 feet (120 links).

NS815



Sprocket Type	Code Number	Number of Teeth	Bore	Pitch Diameter	Outside Diameter	Width (Teeth)	Hub Width	Hub Diameter
			B	E	F	C	A	H
			mm/inch	mm	mm	mm	mm	mm

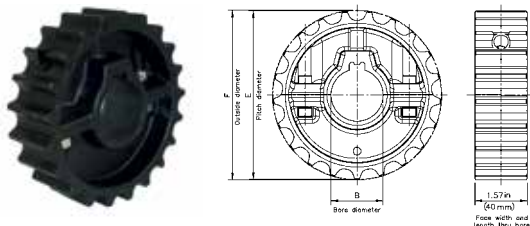
Split Sprockets, Injection Moulded - NS 815

Metric Bores								
NS815-21T_25MM_1KW_PA	10334394	21	25	129.3	129.5	52	51	60
NS815-21T_30MM_1KW_PA	10334395	21	30					
NS815-21T_35MM_1KW_PA	10334396	21	35					
NS815-21T_40MM_1KW_PA	10334397	21	40					
NS815-21T_45MM_1KW_PA	10334398	21	45					
NS815-23T_25MM_1KW_PA	10334400	23	25	141.2	142.0	52	51	
NS815-23T_30MM_1KW_PA	10334401	23	30					
NS815-23T_35MM_1KW_PA	10334402	23	35					
NS815-23T_40MM_1KW_PA	10334403	23	40					
NS815-23T_45MM_1KW_PA	10334404	23	45	153.2	154.2	54.0	58.5	
NS815-25T_25MM_1KW_PA	10334406	25	25					
NS815-25T_30MM_1KW_PA	10131628	25	30					
NS815-25T_35MM_1KW_PA	10131629	25	35					
NS815-25T_40MM_1KW_PA	10334409	25	40					
NS815-25T_45MM_1KW_PA	10334410	25	45					

Inch Bores								
NS815-21T_1IN_1KW_PA	10177474	21	1.00"	129.3	129.5	52.0	51.0	60
NS815-21T_1-1/4IN_1KW_PA	10328297	21	1.25"					
NS815-23T_1IN_1KW_PA	10403007	23	1.00"					
NS815-23T_1-1/4IN_1KW_PA	10328298	23	1.25"	141.2	142.0	52.0	51.0	
NS815-25T_1IN_1KW_PA	10609043	25	1.00"					
NS815-25T_1-1/4IN_1KW_PA	10328299	25	1.25"	153.2	154.2	54.0	58.5	
NS815-25T_1-1/2IN_1KW_PA	10328188	25	1.50"					

For steel chain series: **Rexnord:** 812 (except TAB and mini hinge), 815.
 single hinge straight run, single hinge Magnetflex. Note: not for heavy duty tab.
 * Ask customer service for minimum order quantity.

NSH815



Sprocket Type	Code Number	Number of Teeth	Pitch Diameter	Outside Diameter	Width	Hub Width	Shaft Size	Equivalent of KUS 815
			in-mm	in-mm	in-mm	in-mm	in-mm	

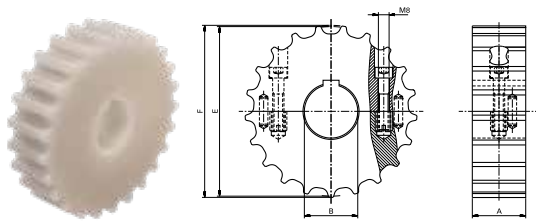
Split moulded sprocket NSH 815

NSH815-21T_30MM_1KW_PA	10330167	21	5.09 / 129.3	5.11 / 130.0	1.57 / 40	1.57 / 40	1.18 / 30	753.62.23
NSH815-21T_40MM_1KW_PA	10330169	21	5.09 / 129.3	5.11 / 130.0	1.57 / 40	1.57 / 40	1.57 / 40	753.62.43
NSH815-25T_40MM_1KW_PA	10330165	25	6.03 / 153.2	6.05 / 153.9	1.57 / 40	1.57 / 40	1.57 / 40	753.62.45

Split moulded sprocket NSH 815 with M8 setscrew

NSH815-21T_30MM_1KW1SS_PA	10330168	21	5.09 / 129.3	5.11 / 130.0	1.57 / 40	1.57 / 40	1.18 / 30	753.62.23
NSH815-21T_40MM_1KW1SS_PA	10330170	21	5.09 / 129.3	5.11 / 130.0	1.57 / 40	1.57 / 40	1.57 / 40	753.62.43
NSH815-25T_40MM_1KW1SS_PA	10330166	25	6.03 / 153.2	6.05 / 153.9	1.57 / 40	1.57 / 40	1.57 / 40	753.62.45

KUS815



Sprocket Type	Code Number	Number of Teeth	Bore	Pitch Diameter	Outside Diameter	Width (Teeth)	Hub Width	Hub Diameter
			B	E	F	C	A	H
			mm	mm	mm	mm	mm	mm

Split Sprockets And Idlers, Machined - KUS 815

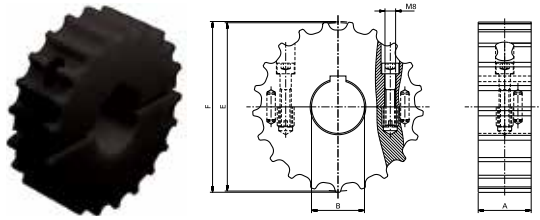
Sprockets, Metric Bores

KUS815-17T_25MM_1KW_PA	10331076	17	25	105.5	104.5	40.0	40.0	-
KUS815-17T_30MM_1KW_PA	10331476	17	30					
KUS815-17T_35MM_1KW_PA	10331829	17	35					
KUS815-17T_40MM_1KW_PA	10332190	17	40					
KUS815-19T_25MM_1KW_PA	10331078	19	25	117.3	116.3			
KUS815-19T_30MM_1KW_PA	10139146	19	30					
KUS815-19T_35MM_1KW_PA	10331831	19	35					
KUS815-19T_40MM_1KW_PA	10332192	19	40					
KUS815-19T_50MM_1KW_PA	10359781	19	50	129.3	130.0			
KUS815-21T_25MM_1KW_PA	10331080	21	25					
KUS815-21T_30MM_1KW_PA	10139147	21	30					
KUS815-21T_35MM_1KW_PA	10331833	21	35					
KUS815-21T_40MM_1KW_PA	10332194	21	40	141.2	141.9			
KUS815-21T_50MM_1KW_PA	10139150	21	50					
KUS815-23T_25MM_1KW_PA	10331082	23	25					
KUS815-23T_30MM_1KW_PA	10139148	23	30					
KUS815-23T_35MM_1KW_PA	10331835	23	35	153.2	153.9			
KUS815-23T_40MM_1KW_PA	10332196	23	40					
KUS815-23T_50MM_1KW_PA	10332815	23	50					
KUS815-25T_25MM_1KW_PA	10331084	25	25			165.2	165.9	
KUS815-25T_30MM_1KW_PA	10331484	25	30					
KUS815-25T_35MM_1KW_PA	10331837	25	35					
KUS815-25T_40MM_1KW_PA	10139149	25	40					
KUS815-25T_50MM_1KW_PA	10332817	25	50	165.2	165.9			
KUS815-27T_25MM_1KW_PA	10331086	27	25					
KUS815-27T_30MM_1KW_PA	10331486	27	30					
KUS815-27T_35MM_1KW_PA	10331839	27	35					
KUS815-27T_40MM_1KW_PA	10332200	27	40	165.2	165.9			
KUS815-27T_50MM_1KW_PA	10332819	27	50					

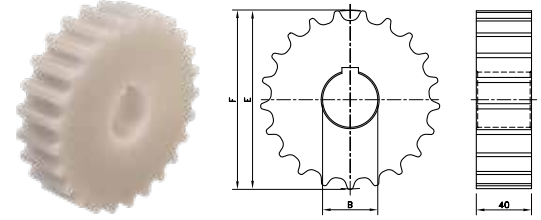
Idlers, Metric Bores

KUS815-17T_25MM_I_PA	10331077	17	25	105.5	104.5	40.0	40.0	-
KUS815-17T_30MM_I_PA	10331477	17	30					
KUS815-17T_35MM_I_PA	10331830	17	35					
KUS815-17T_40MM_I_PA	10332191	17	40					
KUS815-19T_25MM_I_PA	10331079	19	25	117.3	116.3			
KUS815-19T_30MM_I_PA	10331479	19	30					
KUS815-19T_35MM_I_PA	10331832	19	35					
KUS815-19T_40MM_I_PA	10332193	19	40					
KUS815-19T_50MM_I_PA	10359768	19	50	129.3	130.0			
KUS815-21T_25MM_I_PA	10331081	21	25					
KUS815-21T_30MM_I_PA	10331481	21	30					
KUS815-21T_35MM_I_PA	10331834	21	35					
KUS815-21T_40MM_I_PA	10332195	21	40	141.2	141.9			
KUS815-21T_50MM_I_PA	10332814	21	50					
KUS815-23T_25MM_I_PA	10331083	23	25					
KUS815-23T_30MM_I_PA	10331483	23	30					
KUS815-23T_35MM_I_PA	10331836	23	35	141.2	141.9			
KUS815-23T_40MM_I_PA	10332197	23	40					
KUS815-23T_50MM_I_PA	10332816	23	50					

KUS815



KU815



Sprocket Type	Code Number	Number of Teeth	Bore	Pitch Diameter	Outside Diameter	Width (Teeth)	Hub Width	Hub Diameter
			B	E	F	C	A	H
			mm	mm	mm	mm	mm	mm

Idlers, Metric Bores continued

KUS815-25T_25MM_I_PA	10331085	25	25	153.2	153.9	40.0	40.0	-
KUS815-25T_30MM_I_PA	10331485	25	30					
KUS815-25T_35MM_I_PA	10331838	25	35					
KUS815-25T_40MM_I_PA	10332199	25	40					
KUS815-25T_50MM_I_PA	10332818	25	50					
KUS815-27T_25MM_I_PA	10331087	27	25	165.2	165.9	40.0	40.0	-
KUS815-27T_30MM_I_PA	10331487	27	30					
KUS815-27T_35MM_I_PA	10331840	27	35					
KUS815-27T_40MM_I_PA	10332201	27	40					
KUS815-27T_50MM_I_PA	10332820	27	50					

For steel chain series: **Rexnord**: 812 (except TAB and mini hinge), 815, single hinge straight run, single hinge Magnetflex, 66 ST 75 RM.

Classic Sprockets, Machined - KU 815

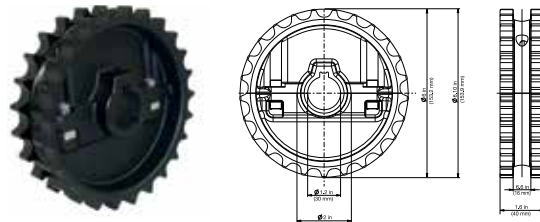
Metric Bores

KU815-17T_20MM_P_PA	10297045	17	20*	105.5	104.5	40	-	-
KU815-19T_20MM_P_PA	10297046	19	20*	117.3	116.3			
KU815-21T_20MM_P_PA	10297047	21	20*	129.3	130.0			
KU815-23T_20MM_P_PA	10297048	23	20*	141.2	141.9			
KU815-25T_20MM_P_PA	10297049	25	20*	153.2	153.9			
KU815-27T_20MM_P_PA	10297050	27	20*	165.2	165.9			

*Pre-bore

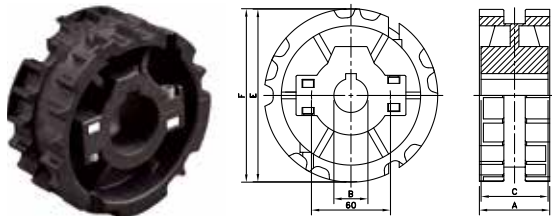
For steel chain series: **Rexnord**: 812 (except TAB and mini hinge), 815, single hinge straight run, single hinge Magnetflex, 66 ST 75 RM.

NSH820

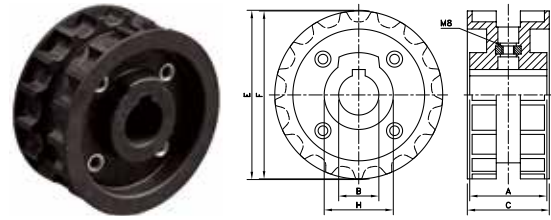


Sprocket Type	Code Number	Number of Teeth	Pitch Diameter	Outside Diameter	Width	Hub Width	Shaft Size	Equivalent to NS 820	Equivalent to NS 831
			in-mm	in-mm	in-mm	in-mm	in-mm		
NSH820-25T_25MM_1KW_PA	10334525	25	6.0 / 153.2	6.1 / 154.2	1.50 / 38	1.6 / 40	0.98 / 25	L0820665361	L0831604202
NSH820-25T_30MM_1KW_PA	10334526	25	6.0 / 153.2	6.1 / 154.2	1.65 / 42	1.6 / 40	1.18 / 30	L0820665371	L0831604212
NSH820-25T_35MM_1KW_PA	10334527	25	6.0 / 153.2	6.1 / 154.2	1.85 / 47	1.6 / 40	1.37 / 35	L0820665381	L0831604222
NSH820-25T_40MM_1KW_PA	10334528	25	6.0 / 153.2	6.1 / 154.2	2.05 / 52	1.6 / 40	1.57 / 40	L0820665391	L0831604232
NSH820-25T_45MM_1KW_PA	10334529	25	6.0 / 153.2	6.1 / 154.2	2.25 / 57	1.6 / 40	1.77 / 45	L0820665401	L0831604242

NS820



N820



Sprocket Type	Code Number	Number of Teeth	Bore	Pitch Diameter	Outside Diameter	Width (Teeth)	Hub Width	Hub Diameter
			B	E	F	C	A	H
			mm/inch	mm	mm	mm	mm	mm

Split Sprockets, Injection Moulded - NS 820

Metric Bores								
NS820-21T_25MM_1KW_PA	10334413	21	25	129.3	129.5	52.0	51.0	60
NS820-21T_30MM_1KW_PA	10028632	21	30	129.3	129.5	52.0	51.0	
NS820-21T_35MM_1KW_PA	10334415	21	35	129.3	129.5	52.0	51.0	
NS820-21T_40MM_1KW_PA	10334416	21	40	129.3	129.5	52.0	51.0	
NS820-21T_45MM_1KW_PA	10334417	21	45	129.3	129.5	52.0	51.0	
NS820-23T_25MM_1KW_PA	10334418	23	25	141.2	142.0	52.0	51.0	
NS820-23T_30MM_1KW_PA	10028637	23	30	141.2	142.0	52.0	51.0	
NS820-23T_35MM_1KW_PA	10334421	23	35	141.2	142.0	52.0	51.0	
NS820-23T_40MM_1KW_PA	10334422	23	40	141.2	142.0	52.0	51.0	
NS820-23T_45MM_1KW_PA	10334423	23	45	141.2	142.0	52.0	51.0	
NS820-25T_25MM_1KW_PA	10334424	25	25	153.2	154.2	54.0	58.5	
NS820-25T_30MM_1KW_PA	10028648	25	30	153.2	154.2	54.0	58.5	
NS820-25T_35MM_1KW_PA	10334427	25	35	153.2	154.2	54.0	58.5	
NS820-25T_40MM_1KW_PA	10334428	25	40	153.2	154.2	54.0	58.5	
NS820-25T_45MM_1KW_PA	10334429	25	45	153.2	154.2	54.0	58.5	
Inch Bores*								
NS820-21T_1IN_1KW_PA	10328037	21	1.00"	129.3	129.5	52.0	51.0	60
NS820-21T_1-1/4IN_1KW_PA	10328300	21	1.25"	129.3	129.5	52.0	51.0	
NS820-23T_1IN_1KW_PA	10328038	23	1.00"	141.2	142.0	52.0	51.0	
NS820-23T_1-1/4IN_1KW_PA	10328301	23	1.25"	141.2	142.0	52.0	51.0	
NS820-25T_1IN_1KW_PA	10328039	25	1.00"	153.2	154.2	54.0	58.5	
NS820-25T_1-1/4IN_1KW_PA	10328302	25	1.25"	153.2	154.2	54.0	58.5	

For steel chain series (optional): Rexnord: 812 (except TAB and mini hinge), 815. single hinge straight run, single hinge Magnetflex.

For plastic chain series: 820, SH; Note: not suitable for 831.

* Ask Customer service for minimum order quantity of sprockets with inch bores.

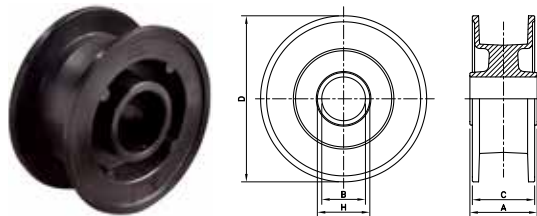
Classic Sprockets, Injection Moulded - N 820

Metric Bores								
N820-15T_25MM_1KW_PA	10334334	15	25	93.7	92.2	50.0	50.0	43
N820-15T_30MM_1KW_PA	10334335	15	30	93.7	92.2	50.0	50.0	43
N820-17T_25MM_1KW_PA	10334336	17	25	105.5	104.7	51.0	48.0	43
N820-17T_30MM_1KW_PA	10177482	17	30	105.5	104.7	51.0	48.0	43
N820-19T_20MM_1KW_PA	10334338	19	20	117.4	117.1	50.0	50.0	60
N820-19T_25MM_1KW_PA	10177483	19	25	117.4	117.1	50.0	50.0	60
N820-19T_30MM_1KW_PA	10177484	19	30	117.4	117.1	50.0	50.0	60
N820-19T_35MM_1KW_PA	10334341	19	35	117.4	117.1	50.0	50.0	60
N820-19T_40MM_1KW_PA	10334342	19	40	117.4	117.1	50.0	50.0	60

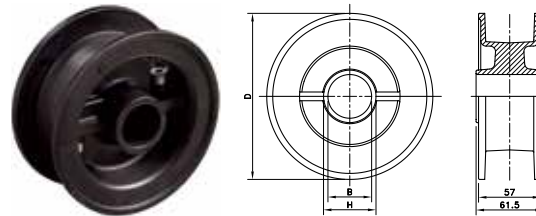
For steel chain series (optional): Rexnord: 812 (except TAB and mini hinge), 815. single hinge straight run, single hinge Magnetflex.

For plastic chain series: 820, SH; Note: not suitable for 831.

NT820



NST820



Sprocket Type	Code Number	Number of Teeth	Bore	Outside Diameter	Width (Teeth)	Hub Width	Hub Diameter
			B	F	C	A	H
			mm/inch	mm	mm	mm	mm

Classic Idler Drums, Injection Moulded - NT 820

Metric Bores							
NT820-15T_25MM_I_PA	10334543	15	25	95.5	55.0	92.0	40
NT820-15T_30MM_I_PA	10334544	15	30	95.5	55.0	92.0	40
NT820-17T_25MM_I_PA	10334545	17	25	106.5	53.0	57.0	42
NT820-17T_30MM_I_PA	10334546	17	30	106.5	53.0	57.0	42
NT820-18T_25MM_I_PA	10334547	18	25	113.0	57.0	92.0	40
NT820-18T_30MM_I_PA	10334548	18	30	113.0	57.0	92.0	40
NT820-19T_25MM_I_PA	10334549	19	25	118.0	57.0	57.0	42
NT820-19T_30MM_I_PA	10177481	19	30	118.0	57.0	57.0	42
NT820-19T_40MM_I_PA	10334551	19	40	118.0	57.0	57.0	51
NT820-21T_25MM_I_PA	10297306	21	25	130.0	60.0	61.5	35
NT820-21T_30MM_I_PA	10297307	21	30	130.0	60.0	61.5	40
NT820-21T_35MM_I_PA	10334554	21	35	130.0	60.0	61.5	45
NT820-21T_40MM_I_PA	10334555	21	40	130.0	60.0	61.5	50
NT820-23T_25MM_I_PA	10334556	23	25	142.5	59.5	61.5	35
NT820-23T_30MM_I_PA	10297300	23	30	142.5	59.5	61.5	40
NT820-23T_35MM_I_PA	10298169	23	35	142.5	59.5	61.5	45
NT820-23T_40MM_I_PA	10334559	23	40	142.5	59.5	61.5	50
NT820-25T_25MM_I_PA	10297295	25	25	154.5	59.0	61.5	35
NT820-25T_30MM_I_PA	10334561	25	30	154.5	59.0	61.5	40
NT820-25T_35MM_I_PA	10334562	25	35	154.5	59.0	61.5	45
NT820-25T_40MM_I_PA	10334563	25	40	154.5	59.0	61.5	50

Inch Bores

NT820-21T_1IN_I_PA	10328540	21	1.00"	130.0	60.0	61.5	35
NT820-21T_1-1/4IN_I_PA	10328545	21	1.25"	130.0	60.0	61.5	40
NT820-21T_1-1/2IN_I_PA	10328542	21	1.50"	130.0	60.0	61.5	45
NT820-23T_1-1/4IN_I_PA	10319215	23	1.25"	142.5	59.5	61.5	40
NT820-23T_1-1/2IN_I_PA	10328543	23	1.50"	142.5	59.5	61.5	45
NT820-25T_1IN_I_PA	10328541	25	1.00"	154.5	59.0	61.5	35
NT820-25T_1-1/4IN_I_PA	10328547	25	1.25"	154.5	59.0	61.5	40
NT820-25T_1-1/2IN_I_PA	10328544	25	1.50"	154.5	59.0	61.5	45

For steel chain series: Rexnord: 812 (except TAB and mini hinge), 815, 881 (except TAB), 8811 (except TAB).
single hinge straight run, single hinge Magnetflex.

For plastic chain series: 879-Bevel, 880-Bevel, 820, 831, RHM, RHMD, RHMP, RHMDP, SHP.

Split Idler Drums, Injection Moulded - NST 820

Metric Bores							
NST820-21T_25MM_I_PA	10334530	21	25	130.0	57.0	61.5	40
NST820-21T_30MM_I_PA	10318282	21	30	130.0	57.0	61.5	40
NST820-21T_35MM_I_PA	10291542	21	35	130.0	57.0	61.5	50
NST820-21T_40MM_I_PA	10288598	21	40	130.0	57.0	61.5	50
NST820-23T_25MM_I_PA	10334534	23	25	142.5	57.0	61.5	40
NST820-23T_30MM_I_PA	10334535	23	30	142.5	57.0	61.5	40
NST820-23T_35MM_I_PA	10334536	23	35	142.5	57.0	61.5	50
NST820-23T_40MM_I_PA	10334537	23	40	142.5	57.0	61.5	50
NST820-25T_25MM_I_PA	10334538	25	25	154.5	57.0	61.5	35
NST820-25T_30MM_I_PA	10350819	25	30	154.5	57.0	61.5	40
NST820-25T_35MM_I_PA	10334540	25	35	154.5	57.0	61.5	45
NST820-25T_40MM_I_PA	10334541	25	40	154.5	57.0	61.5	50
NST820-25T_45MM_I_PA	10334542	25	45	154.5	57.0	61.5	50

Sprocket Type	Code Number	Number of Teeth	Bore	Pitch Diameter	Outside Diameter	Width (Teeth)	Hub Width	Hub Diameter
			B	E	F	C	A	H
			mm/inch	mm	mm	mm	mm	mm

Split Idler Drums, Injection Moulded - NST 820 continued

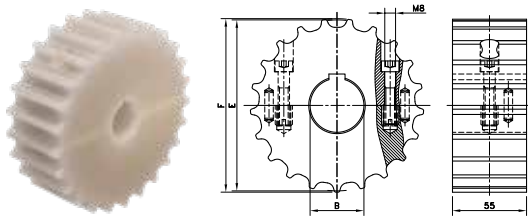
Inch Bores*								
NST820-21T_1IN_I_PA	10328533	21	1.00"	--	130.0	57.0	61.5	40
NST820-21T_1-1/4IN_I_PA	10328537	21	1.25"	--	130.0	57.0	61.5	40
NST820-25T_1IN_I_PA	10328534	25	1.00"	--	154.5	57.0	61.5	40
NST820-25T_1-1/4IN_I_PA	10328539	25	1.25"	--	154.5	57.0	61.5	40
NST820-25T_1-1/2IN_I_PA	10328536	25	1.50"	--	154.5	57.0	61.5	50

For steel chain series: Rexnord: 812 (except TAB and mini hinge), 815, 881 (except TAB), 8811 (except TAB).
single hinge straight run, single hinge Magnetflex, single hinge bevel rubber top.

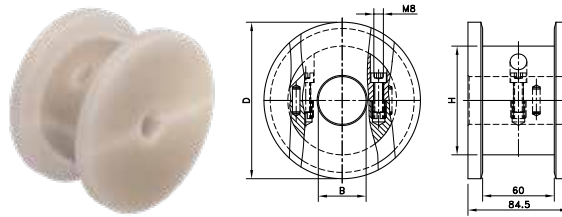
For plastic chain series: 879-Bevel, 880-Bevel, 820, 831, RHM, RHMD,RHMP, RHMDP, SHP.

* Ask Customer service for minimum order quantity of sprockets with inch bores.

KUS75



KST75



Split Sprockets And Idlers, Machined - KUS75

Sprockets, Metric Bores								
KUS75-21T_25MM_1KW_PA	10331049	21	25	129.3	130.0	55.0	55.0	-
KUS75-21T_30MM_1KW_PA	10331449	21	30					
KUS75-21T_35MM_1KW_PA	10331803	21	35					
KUS75-21T_40MM_1KW_PA	10332163	21	40					
KUS75-21T_50MM_1KW_PA	10332793	21	50					
KUS75-25T_25MM_1KW_PA	10331053	25	25	153.2	153.9	55.0	55.0	-
KUS75-25T_30MM_1KW_PA	10331453	25	30					
KUS75-25T_35MM_1KW_PA	10331807	25	35					
KUS75-25T_40MM_1KW_PA	10332167	25	40					
KUS75-25T_50MM_1KW_PA	10332797	25	50					

Idlers, Metric Bores								
KUS75-21T_25MM_I_PA	10331050	21	25	129.3	130.0	55.0	55.0	-
KUS75-21T_30MM_I_PA	10331450	21	30					
KUS75-21T_35MM_I_PA	10331804	21	35					
KUS75-21T_40MM_I_PA	10332164	21	40					
KUS75-21T_50MM_I_PA	10332794	21	50					
KUS75-25T_25MM_I_PA	10331054	25	25	153.2	153.9	55.0	55.0	-
KUS75-25T_30MM_I_PA	10331454	25	30					
KUS75-25T_35MM_I_PA	10331808	25	35					
KUS75-25T_40MM_I_PA	10332168	25	40					
KUS75-25T_50MM_I_PA	10332798	25	50					

For steel chain series: Rexnord: straight run heavy duty, heavy duty Magnetflex

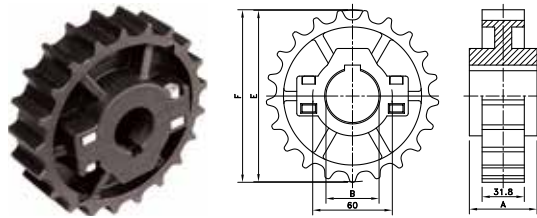
Split Idler Drums, Machined - KST75

Metric Bores								
KST75-21T_20MM_I_PA	10330414	21	20	129.3	131.0	84.5	84.5	91
KST75-21T_25MM_I_PA	10330873	21	25					
KST75-21T_30MM_I_PA	10331276	21	30					
KST75-21T_35MM_I_PA	10331669	21	35					
KST75-21T_40MM_I_PA	10331999	21	40					
KST75-21T_50MM_I_PA	10405106	21	50	153.2	155.0	84.5	84.5	115
KST75-25T_20MM_I_PA	10330418	25	20					
KST75-25T_25MM_I_PA	10330875	25	25					
KST75-25T_30MM_I_PA	10331278	25	30					
KST75-25T_35MM_I_PA	10331671	25	35					
KST75-25T_40MM_I_PA	10332001	25	40	153.2	155.0	84.5	84.5	115
KST75-25T_50MM_I_PA	10332658	25	50					

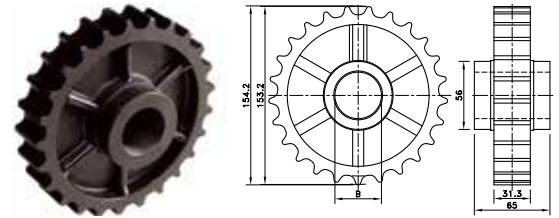
For steel chain series: straight run heavy duty, heavy duty Magnetflex.

For plastic chain series: HDS, HDFM.

NS881



N881



Sprocket Type	Code Number	Number of Teeth	Bore	Pitch Diameter	Outside Diameter	Width (Teeth)	Hub Width	Hub Diameter
			B	E	F	C	A	H
			mm/inch	mm	mm	mm	mm	mm

Split Sprockets and Idlers, Injection Moulded - NS881

Sprockets, Metric Bores

NS881-21T_25MM_1KW_PA	10334488	21	25	129.3	129.5	51.0	60
NS881-21T_30MM_1KW_PA	10334490	21	30				
NS881-21T_35MM_1KW_PA	10334492	21	35				
NS881-21T_40MM_1KW_PA	10334494	21	40				
NS881-21T_45MM_1KW_PA	10334496	21	45				
NS881-23T_25MM_1KW_PA	10334498	23	25	141.2	142.0	31.8	60
NS881-23T_30MM_1KW_PA	10334500	23	30				
NS881-23T_35MM_1KW_PA	10334502	23	35				
NS881-23T_40MM_1KW_PA	10334504	23	40				
NS881-23T_45MM_1KW_PA	10334506	23	45	153.2	154.2	58.5	60
NS881-25T_25MM_1KW_PA	10334507	25	25				
NS881-25T_30MM_1KW_PA	10350817	25	30				
NS881-25T_35MM_1KW_PA	10334511	25	35				
NS881-25T_40MM_1KW_PA	10334513	25	40				
NS881-25T_45MM_1KW_PA	10334515	25	45				

Sprockets, Inch Bores*

NS881-21T_1IN_1KW_PA	10328045	21	1.00"	129.3	129.5	51.0	60
NS881-21T_1-1/4IN_1KW_PA	10328307	21	1.25"				
NS881-21T_1-1/2IN_1KW_PA	10328192	21	1.50"				
NS881-23T_1IN_1KW_PA	10328046	23	1.00"	141.2	142.0	31.8	60
NS881-23T_1-1/4IN_1KW_PA	10328308	23	1.25"				
NS881-25T_1IN_1KW_PA	10328047	25	1.00"	153.2	154.2	58.5	60
NS881-25T_1-1/4IN_1KW_PA	10328310	25	1.25"				
NS881-25T_1-1/2IN_1KW_PA	10328193	25	1.50"				

Idlers, Metric Bores

NS881-21T_25MM_I_PA	10334487	21	25	129.3	129.5	51.0	60
NS881-21T_30MM_I_PA	10334489	21	30				
NS881-21T_35MM_I_PA	10334491	21	35				
NS881-21T_40MM_I_PA	10334493	21	40				
NS881-23T_25MM_I_PA	10334497	23	25	141.2	142.0	31.8	60
NS881-23T_30MM_I_PA	10334499	23	30				
NS881-23T_35MM_I_PA	10334501	23	35				
NS881-23T_40MM_I_PA	10334503	23	40				
NS881-25T_30MM_I_PA	10334508	25	30	153.2	154.2	58.5	60
NS881-25T_35MM_I_PA	10334510	25	35				
NS881-25T_40MM_I_PA	10334512	25	40				
NS881-25T_45MM_I_PA	10334514	25	45				

For steel chain series: Rexnord: 812 mini hinge, 812-TAB, 881, 8811 (all): single hinge TAB rubber top.

*Ask Customer service for minimum order quantity of sprockets with inch bores.

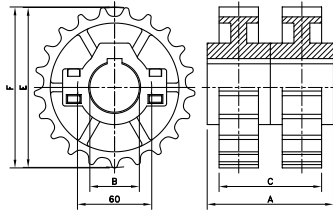
Classic Idlers, Injection Moulded - N881

Metric Bores

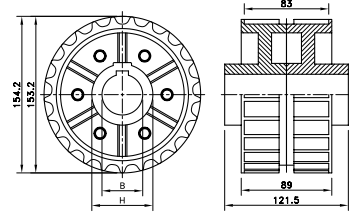
N881-25T_25MM_I_PA	10334360	25	25	153.2	154.2	31.3	65.0	56
N881-25T_30MM_I_PA	10334361	25	30					
N881-25T_35MM_I_PA	10334362	25	35					
N881-25T_40MM_I_PA	10334363	25	40					

For steel chain series: Rexnord: 812 mini hinge, 812-TAB, 881, 8811 (all).

NS821



N800



Sprocket Type	Code Number	Number of Teeth	Bore	Pitch Diameter	Outside Diameter	Width (Teeth)	Hub Width	Hub Diameter
			B	E	F	C	A	H
			mm/inch	mm	mm	mm	mm	mm

Split Sprockets And Idlers, Injection Moulded - NS821

Sprockets, Metric Bores

Code Number	Number of Teeth	Bore (mm)	Pitch Diameter (mm)	Outside Diameter (mm)	Width (mm)	Hub Width (mm)	Hub Diameter (mm)
NS821-21T_35MM_1KW_PA	21	35	129.2	129.5	82.0	103.0	60
NS821-21T_40MM_1KW_PA	21	40					
NS821-21T_45MM_1KW_PA	21	45					
NS821-23T_30MM_1KW_PA	23	30	141.2	142.0	82.0	103.0	
NS821-23T_35MM_1KW_PA	23	35					
NS821-23T_40MM_1KW_PA	23	40					
NS821-23T_45MM_1KW_PA	23	45	153.2	154.2	82.0	117.0	
NS821-25T_30MM_1KW_PA	25	30					
NS821-25T_35MM_1KW_PA	25	35					
NS821-25T_40MM_1KW_PA	25	40					
NS821-25T_45MM_1KW_PA	25	45					

Idlers, Metric Bores

Code Number	Number of Teeth	Bore (mm)	Pitch Diameter (mm)	Outside Diameter (mm)	Width (mm)	Hub Width (mm)	Hub Diameter (mm)
NS821-21T_30MM_I_PA	21	30	129.2	129.5	82.0	103.0	60
NS821-21T_35MM_I_PA	21	35					
NS821-21T_40MM_I_PA	21	40					
NS821-23T_30MM_I_PA	23	30	141.2	142.0	82.0	103.0	
NS821-23T_35MM_I_PA	23	35					
NS821-23T_40MM_I_PA	23	40					
NS821-25T_30MM_I_PA	25	30	153.2	154.2	82.0	117.0	
NS821-25T_35MM_I_PA	25	35					
NS821-25T_40MM_I_PA	25	40					

For steel chain series: Rexnord: 802 (all), 805: double hinge.
For plastic chain series: 821, SWH.

Classic Sprockets And Idlers, Injection Moulded - N800

Sprockets, Metric Bores

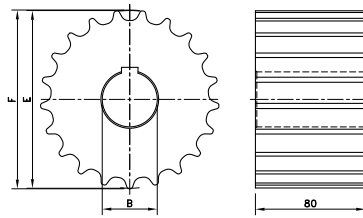
Code Number	Number of Teeth	Bore (mm)	Pitch Diameter (mm)	Outside Diameter (mm)	Width (mm)	Hub Width (mm)	Hub Diameter (mm)
N800-25T_30MM_1KW_PA	25	30	153.2	154.2	89.0	118	60
N800-25T_35MM_1KW_PA	25	35					
N800-25T_40MM_1KW_PA	25	40					

Idlers, Metric Bores

Code Number	Number of Teeth	Bore (mm)	Pitch Diameter (mm)	Outside Diameter (mm)	Width (mm)	Hub Width (mm)	Hub Diameter (mm)
N800-25T_30MM_I_NY	25	30	153.2	154.2	89.0	118	60
N800-25T_35MM_I_NY	25	35					
N800-25T_40MM_I_NY	25	40					

For steel chain series: Rexnord: 802 (all), 805: double hinge.

KU821



Sprocket Type	Code Number	Number of Teeth	Bore	Pitch Diameter	Outside Diameter	Width (Teeth)
			B	E	F	C
			mm/inch	mm	mm	mm

Classic Sprockets And Idlers, Machined - KU 821

Sprockets, Metric Bores

Sprocket Type	Code Number	Number of Teeth	Bore B	Pitch Diameter E	Outside Diameter F	Width (Teeth) C
KU821-19T_25MM_1KW_PA	10330902	19	25	117.3	116.3	80.0
KU821-19T_30MM_1KW_PA	10331305	19	30			
KU821-19T_35MM_1KW_PA	10331697	19	35			
KU821-19T_40MM_1KW_PA	10332028	19	40			
KU821-19T_50MM_1KW_PA	10332679	19	50			
KU821-21T_25MM_1KW_PA	10139159	21	25	129.3	130.0	
KU821-21T_30MM_1KW_PA	10331307	21	30			
KU821-21T_35MM_1KW_PA	10331699	21	35			
KU821-21T_40MM_1KW_PA	10332030	21	40			
KU821-21T_50MM_1KW_PA	10332681	21	50			
KU821-23T_25MM_1KW_PA	10330906	23	25	141.2	141.9	
KU821-23T_30MM_1KW_PA	10331309	23	30			
KU821-23T_35MM_1KW_PA	10331701	23	35			
KU821-23T_40MM_1KW_PA	10332032	23	40			
KU821-23T_50MM_1KW_PA	10332683	23	50			
KU821-25T_25MM_1KW_PA	10330908	25	25	153.2	153.9	
KU821-25T_30MM_1KW_PA	10331311	25	30			
KU821-25T_35MM_1KW_PA	10331703	25	35			
KU821-25T_40MM_1KW_PA	10332034	25	40			
KU821-25T_50MM_1KW_PA	10332685	25	50			
KU821-27T_25MM_1KW_PA	10330910	27	25	165.2	165.9	
KU821-27T_30MM_1KW_PA	10331313	27	30			
KU821-27T_35MM_1KW_PA	10331705	27	35			
KU821-27T_40MM_1KW_PA	10332036	27	40			
KU821-27T_50MM_1KW_PA	10332687	27	50			
KU821-29T_25MM_1KW_PA	10330912	29	25	177.2	178.0	
KU821-29T_30MM_1KW_PA	10331315	29	30			
KU821-29T_35MM_1KW_PA	10331707	29	35			
KU821-29T_40MM_1KW_PA	10332038	29	40			
KU821-29T_50MM_1KW_PA	10332689	29	50			

Idlers, Metric Bores

Sprocket Type	Code Number	Number of Teeth	Bore B	Pitch Diameter E	Outside Diameter F	Width (Teeth) C
KU821-19T_25MM_I_PA	10330903	19	25	117.3	116.3	80.0
KU821-19T_30MM_I_PA	10331306	19	30			
KU821-19T_35MM_I_PA	10331698	19	35			
KU821-19T_40MM_I_PA	10332029	19	40			
KU821-19T_50MM_I_PA	10332680	19	50			
KU821-21T_25MM_I_PA	10330905	21	25	129.3	130.0	
KU821-21T_30MM_I_PA	10331308	21	30			
KU821-21T_35MM_I_PA	10331700	21	35			
KU821-21T_40MM_I_PA	10332031	21	40			
KU821-21T_50MM_I_PA	10332682	21	50			
KU821-23T_25MM_I_PA	10330907	23	25	141.2	141.9	
KU821-23T_30MM_I_PA	10331310	23	30			
KU821-23T_35MM_I_PA	10331702	23	35			
KU821-23T_40MM_I_PA	10332033	23	40			
KU821-23T_50MM_I_PA	10332684	23	50			
KU821-25T_25MM_I_PA	10330909	25	25	153.2	153.9	
KU821-25T_30MM_I_PA	10331312	25	30			
KU821-25T_35MM_I_PA	10331704	25	35			
KU821-25T_40MM_I_PA	10332035	25	40			
KU821-25T_50MM_I_PA	10332686	25	50			

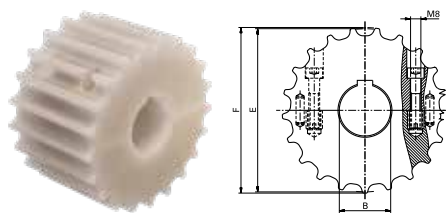
Sprocket Type	Code Number	Number of Teeth	Bore	Pitch Diameter	Outside Diameter	Width (Teeth)	Hub Width	Hub Diameter
			B	E	F	C	A	H
			mm/inch	mm	mm	mm	mm	mm

Classic Sprockets And Idlers, Machined - KU 821 continued

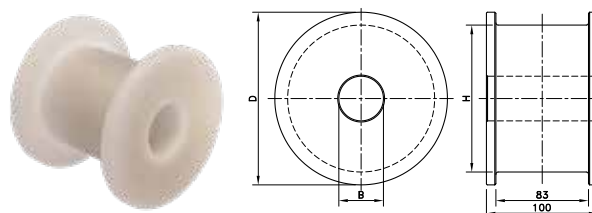
Idlers, Metric Bores								
KU821-27T_25MM_I_PA	10330911	27	25	165.2	165.9	80.0	-	-
KU821-27T_30MM_I_PA	10331314	27	30					
KU821-27T_35MM_I_PA	10331706	27	35					
KU821-27T_40MM_I_PA	10332037	27	40					
KU821-27T_50MM_I_PA	10332688	27	50					
KU821-29T_25MM_I_PA	10330913	29	25	177.2	178.0	80.0	-	-
KU821-29T_30MM_I_PA	10331316	29	30					
KU821-29T_35MM_I_PA	10331708	29	35					
KU821-29T_40MM_I_PA	10332039	29	40					
KU821-29T_50MM_I_PA	10332690	29	50					

For steel chain series: **Rexnord**: 802 (all), 805 double hinge For plastic chain series: 821, SWH.

KUS821



KT800



Split Sprockets And Idlers, Machined - KUS 821

Sprockets, Metric Bores								
KUS821-23T_25MM_1KW_PA	10331092	23	25	141.2	141.9	80.0	-	-
KUS821-23T_30MM_1KW_PA	10331492	23	30					
KUS821-23T_35MM_1KW_PA	10331845	23	35					
KUS821-23T_40MM_1KW_PA	10332206	23	40					
KUS821-23T_50MM_1KW_PA	10332823	23	50					
KUS821-27T_25MM_1KW_PA	10331096	27	25	165.2	165.9	80.0	-	-
KUS821-27T_30MM_1KW_PA	10331496	27	30					
KUS821-27T_35MM_1KW_PA	10331849	27	35					
KUS821-27T_40MM_1KW_PA	10332210	27	40					
KUS821-27T_50MM_1KW_PA	10332827	27	50					

Idlers, Metric Bores								
KUS821-23T_25MM_I_PA	10331093	23	25	141.2	141.9	80.0	-	-
KUS821-23T_30MM_I_PA	10331493	23	30					
KUS821-23T_35MM_I_PA	10331846	23	35					
KUS821-23T_40MM_I_PA	10332207	23	40					
KUS821-23T_50MM_I_PA	10332824	23	50					
KUS821-27T_25MM_I_PA	10331097	27	25	165.2	165.9	80.0	-	-
KUS821-27T_30MM_I_PA	10331497	27	30					
KUS821-27T_35MM_I_PA	10331850	27	35					
KUS821-27T_40MM_I_PA	10332211	27	40					
KUS821-27T_50MM_I_PA	10332828	27	50					

For steel chain series: **Rexnord**: 802 (all), 805 double hinge.

For plastic chain series: 821, SWH.

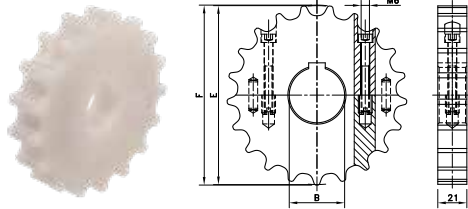
Classic Idler Drums, Machined - KT800

Metric Bores								
KT800-21T_25MM_I_PA	10298158	21	25*	106.8	129.8	100.0	-	106.8
KT800-23T_25MM_I_PA	10298159	23	25*	119.3	142.3			119.3
KT800-25T_25MM_I_PA	10298160	25	25*	131.7	154.7			131.7

* Pre-bore.

For steel chain series: **Rexnord**: 802 (all), 805 double hinge.

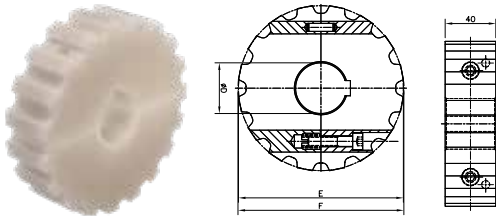
KUSMINI



Sprocket Type	Code Number	Number of Teeth	Bore	Pitch Diameter	Outside Diameter	Width (Teeth)	Hub Width
			B	E	F	C	A
Split Sprockets, Machined - KUSMINI							
Metric Bores							
KUSMINI-21T_25MM_1KW_PA	10331184	21	25	129.3	130.0	21.0	21.0
KUSMINI-21T_30MM_1KW_PA	10331584	21	30				
KUSMINI-21T_35MM_1KW_PA	10331923	21	35				
KUSMINI-21T_40MM_1KW_PA	10332297	21	40				
KUSMINI-21T_50MM_1KW_PA	10332899	21	50				
KUSMINI-25T_25MM_1KW_PA	10331188	25	25	153.2	153.9	21.0	21.0
KUSMINI-25T_30MM_1KW_PA	10331588	25	30				
KUSMINI-25T_35MM_1KW_PA	10331927	25	35				
KUSMINI-25T_40MM_1KW_PA	10332301	25	40				
KUSMINI-25T_50MM_1KW_PA	10332903	25	50				

For steel chain series: Rexnord: 812-narrow, mini hinge.

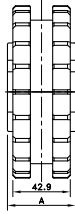
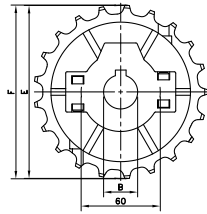
KUS661



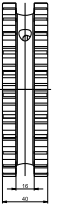
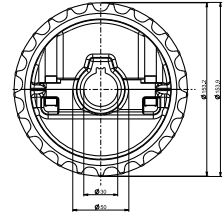
Sprocket Type	Code Number	Number of Teeth	Bore	Pitch Diameter	Outside Diameter	Hub Width
			B	E	F/D	A
Split Sprockets And Idlers, Machined - KUS661						
Sprockets, Metric Bores						
KUS661-16T_30MM_1KW_PA	10331472	16	30	130.2	131.0	40
KUS661-16T_35MM_1KW_PA	10331825	16	35			
KUS661-16T_40MM_1KW_PA	10332186	16	40			
KUS661-19T_30MM_1KW_PA	10331474	19	30	154.3	155.4	
KUS661-19T_35MM_1KW_PA	10331827	19	35			
KUS661-19T_40MM_1KW_PA	10332188	19	40			
Sprockets, inch bores						
KUS661-16T_1-1/4IN_1KW_PA	10327205	16	1.250"	130.2	131.0	40
KUS661-16T_1-7/16IN_1KW_PA	10327681	16	1.438"			
KUS661-16T_1-1/2IN_1KW_PA	10327006	16	1.500"			
KUS661-19T_1-1/4IN_1KW_PA	10327206	19	1.250"	154.3	155.4	
KUS661-19T_1-7/16IN_1KW_PA	10327682	19	1.438"			
KUS661-19T_1-1/2IN_1KW_PA	10327004	19	1.500"			
Idlers, Metric Bores						
KUS661-16T_30MM_I_PA	10331473	16	30	130.2	131.0	40
KUS661-16T_35MM_I_PA	10331826	16	35			
KUS661-16T_40MM_I_PA	10332187	16	40			
KUS661-19T_30MM_I_PA	10331475	19	30	154.3	155.4	
KUS661-19T_35MM_I_PA	10331828	19	35			
KUS661-19T_40MM_I_PA	10332189	19	40			
Split Sprockets And Idlers, Machined - KUS661 continued						
Idlers, Inch Bores						
KUS661-16T_1-1/4IN_I_PA	10327292	16	1.250"	130.2	131.0	40
KUS661-16T_1-7/16IN_I_PA	10327768	16	1.438"			
KUS661-16T_1-1/2IN_I_PA	10327007	16	1.500"			
KUS661-19T_1-1/4IN_I_PA	10327291	19	1.250"	154.3	155.4	
KUS661-19T_1-7/16IN_I_PA	10327767	19	1.438"			
KUS661-19T_1-1/2IN_I_PA	10327005	19	1.500"			

For steel chain series: 661.

NS831



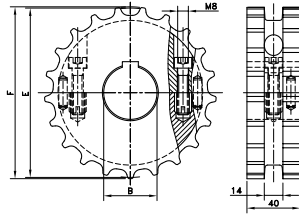
NSH820/831



Sprocket Type	Code Number	Number of Teeth	Bore	Pitch Diameter	Outside Diameter	Width (Teeth)	Hub Width	Hub Diameter
			B	E	F	C	A	
mm/inch								
Split Sprockets, Injection Moulded - NSH820/831								
Metric Bores								
NSH820-25T_25MM_1KW_PA	10334525	25	25	153.2	154.2	42.9	40	60
NSH820-25T_30MM_1KW_PA	10334526	25	30					
NSH820-25T_35MM_1KW_PA	10334527	25	35					
NSH820-25T_40MM_1KW_PA	10334528	25	40					
NSH820-25T_45MM_1KW_PA	10334529	25	45					

For plastic chain series: 820, 831, SH.

KUS820



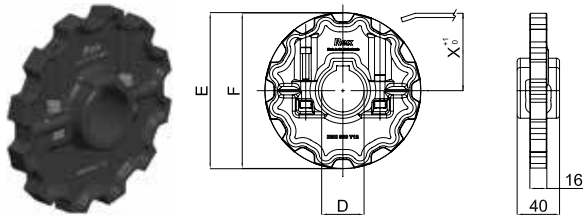
Sprocket Type	Code Number	Number of Teeth	Bore	Pitch Diameter	Outside Diameter	Width (Teeth)	Hub Width
			B mm/inch	E mm	F mm	C mm	A mm

Split Sprockets, Machined - KUS820

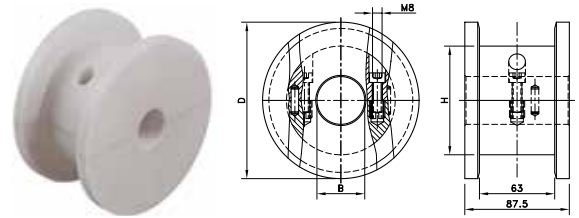
Metric Bores							
KUS820-17T_25MM_1KW_PA	10328705	17	25	105.5	104.5	40	40
KUS820-17T_30MM_1KW_PA	10328707	17	30				
KUS820-17T_35MM_1KW_PA	10328709	17	35				
KUS820-17T_40MM_1KW_PA	10328711	17	40				
KUS820-19T_25MM_1KW_PA	10328695	19	25	117.3	116.3		
KUS820-19T_30MM_1KW_PA	10328697	19	30				
KUS820-19T_35MM_1KW_PA	10328699	19	35				
KUS820-19T_40MM_1KW_PA	10328701	19	40				
KUS820-19T_50MM_1KW_PA	10360073	19	50	129.3	130.0		
KUS820-21T_25MM_1KW_PA	10328683	21	25				
KUS820-21T_30MM_1KW_PA	10328685	21	30				
KUS820-21T_35MM_1KW_PA	10328687	21	35				
KUS820-21T_40MM_1KW_PA	10328689	21	40	141.2	141.9		
KUS820-21T_50MM_1KW_PA	10328693	21	50				
KUS820-23T_25MM_1KW_PA	10328671	23	25				
KUS820-23T_30MM_1KW_PA	10328673	23	30				
KUS820-23T_35MM_1KW_PA	10328675	23	35	153.2	153.9		
KUS820-23T_40MM_1KW_PA	10328677	23	40				
KUS820-23T_50MM_1KW_PA	10328681	23	50				
KUS820-25T_25MM_1KW_PA	10328659	25	25				
KUS820-25T_30MM_1KW_PA	10139250	25	30	165.2	165.9		
KUS820-25T_35MM_1KW_PA	10328663	25	35				
KUS820-25T_40MM_1KW_PA	10328665	25	40				
KUS820-25T_50MM_1KW_PA	10328669	25	50				
KUS820-27T_25MM_1KW_PA	10328647	27	25	165.2	165.9		
KUS820-27T_30MM_1KW_PA	10328649	27	30				
KUS820-27T_35MM_1KW_PA	10328651	27	35				
KUS820-27T_40MM_1KW_PA	10328653	27	40				
KUS820-27T_50MM_1KW_PA	10328657	27	50				
Inch Bores							
KUS820-21T_1IN_1KW_PA	10326583	21	1.000"	129.3	130.0	40	40
KUS820-21T_1-3/16IN_1KW_PA	10327588	21	1.188"				
KUS820-21T_1-1/4IN_1KW_PA	10327270	21	1.250"				
KUS820-21T_1-7/16IN_1KW_PA	10327746	21	1.438"				
KUS815-21T_1-1/2IN_1KW_PA	10327054	21	1.500"				
KUS820-25T_1IN_1KW_PA	10326579	25	1.000"	153.2	153.9		
KUS820-25T_1-3/16IN_1KW_PA	10327590	25	1.188"				
KUS820-25T_1-1/4IN_1KW_PA	10327272	25	1.250"				
KUS820-25T_1-7/16IN_1KW_PA	10327748	25	1.438"				
KUS820-25T_1-1/2IN_1KW_PA	10326920	25	1.500"				

For plastic chain series: 820, 831.

NSH880



KST880



Sprocket Type	Code Number	Number of Teeth	Bore	Pitch Diameter	Outside Diameter	Width (Teeth)	Hub Width	Hub Diameter
			B	E	F	C	A	H
			mm/inch	mm	mm	mm	mm	mm

Split Sprockets Injection Moulded - NSH 880

Sprockets, Metric Bores

NSH880-12T_40MM_1KW_PA	10330171	12	40	147.2	147.4	15.9	58.5	60
------------------------	----------	----	----	-------	-------	------	------	----

Sprockets, Inch Bores

NSH880-12T_1-1/2IN_1KW_PA	10298203	12	1.5"	147.2	147.4	15.9	58.5	60
---------------------------	----------	----	------	-------	-------	------	------	----

For plastic chain series: 879, 880, RHM, RHMD, RHMP, RHMDP, SHP

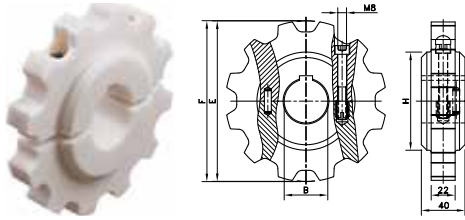
Split Idler Drums, Machined - KST880

Metric Bores

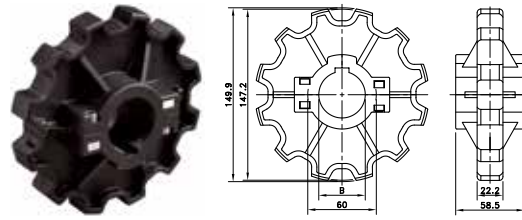
Code Number	Number of Teeth	Bore	Pitch Diameter	Outside Diameter	Width (Teeth)	Hub Width	Hub Diameter
KST880-10T_25MM_I_PA	10330876	10	25	123.3	131.0	87.5	87.5
KST880-10T_30MM_I_PA	10331279	10	30				
KST880-10T_35MM_I_PA	10331672	10	35				
KST880-10T_40MM_I_PA	10332002	10	40				
KST880-10T_50MM_I_PA	10359989	10	50				
KST880-11T_25MM_I_PA	10330877	11	25	135.2	143.0	87.5	87.5
KST880-11T_30MM_I_PA	10331280	11	30				
KST880-11T_35MM_I_PA	10331673	11	35				
KST880-11T_40MM_I_PA	10332003	11	40				
KST880-11T_50MM_I_PA	10490124	11	50				
KST880-12T_25MM_I_PA	10330878	12	25	147.2	155.0	87.5	87.5
KST880-12T_30MM_I_PA	10331281	12	30				
KST880-12T_35MM_I_PA	10331674	12	35				
KST880-12T_40MM_I_PA	10332004	12	40				
KST880-12T_50MM_I_PA	10332659	12	50				

For plastic chain series: 879-TAB, 880-TAB.

KUS882



NS882



Sprocket Type	Code Number	Number of Teeth	Bore	Pitch Diameter	Outside Diameter	Width (Teeth)	Hub Width	Hub Diameter
			B	E	F	C	A	H
			mm/inch	mm	mm	mm	mm	mm

Split Sprockets And Idlers, Machined - KUS882

Sprockets, Metric Bores								
KUS882-12T_40MM_1KW_PA	10360092	12	40	147.2	147.6	22.0	40	90
KUS882-12T_50MM_1KW_PA	10360093	12	50					

Sprockets, Inch Bores								
KUS882-11T_1IN_1KW_PA	10392938	11	1.000"	135.2	135.4	22.0	40	90
KUS882-11T_1-3/16IN_1KW_PA	10392936	11	1.188"					
KUS882-11T_1-1/4IN_1KW_PA	10392935	11	1.250"					
KUS882-11T_1-7/16IN_1KW_PA	10392937	11	1.438"					
KUS882-11T_1-1/2IN_1KW_PA	10392934	11	1.500"	147.2	147.6	22.0	40	90
KUS882-12T_1IN_1KW_PA	10381624	12	1.000"					
KUS882-12T_1-3/16IN_1KW_PA	10392947	12	1.188"					
KUS882-12T_1-1/4IN_1KW_PA	10139252	12	1.250"					
KUS882-12T_1-7/16IN_1KW_PA	10392948	12	1.438"					
KUS882-12T_1-1/2IN_1KW_PA	10360094	12	1.500"					

Idlers, Metric Bores								
KUS882-11T_25MM_I_PA	10328632	11	25	135.2	135.4	22.0	40	90
KUS882-11T_30MM_I_PA	10328633	11	30					
KUS882-11T_35MM_I_PA	10328634	11	35					
KUS882-11T_40MM_I_PA	10328635	11	40					
KUS882-12T_25MM_I_PA	10328627	12	25	147.2	147.6	22.0	40	90
KUS882-12T_30MM_I_PA	10328628	12	30					
KUS882-12T_35MM_I_PA	10328629	12	35					
KUS882-12T_40MM_I_PA	10328630	12	40					
KUS882-12T_50MM_I_PA	10360077	12	50					

For plastic chain series: 882, 883, HDF, HDFM, HDS

Split Sprockets and Idlers, Injection Moulded - NS882

Sprockets, Metric Bores								
NS882-12T_25MM_1KW_PA	10028754	12	25	147.2	149.9	22.2	58.5	60
NS882-12T_30MM_1KW_PA	10019783	12	30					
NS882-12T_35MM_1KW_PA	10334518	12	35					
NS882-12T_40MM_1KW_PA	10334519	12	40					
NS882-12T_45MM_1KW_PA	10334520	12	45					

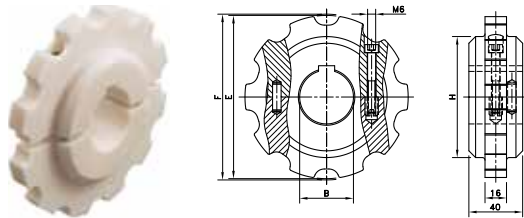
Sprockets, Inch Bores*								
NS882-12T_1IN_1KW_PA	10448021	12	1.000"	147.2	149.9	22.2	58.5	60
NS882-12T_1-1/4IN_1KW_PA	10328311	12	1.250"					
NS882-12T_1-1/2IN_1KW_PA	10328194	12	1.500"					

Idlers, Metric Bores								
NS882-12T_25MM_I_PA	10334521	12	25	147.2	149.9	22.2	58.5	60
NS882-12T_30MM_I_PA	10334522	12	30					
NS882-12T_35MM_I_PA	10334523	12	35					
NS882-12T_40MM_I_PA	10334524	12	40					

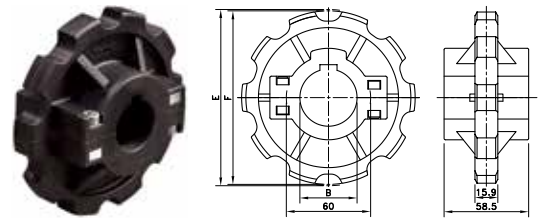
For plastic chain series: 882, 883, HDF, HDFM, HDS.

* Ask Customer service for minimum order quantity of NS882 sprockets with inch bores.

KUS880



NS880



Sprocket Type	Code Number	Number of Teeth	Bore	Pitch Diameter	Outside Diameter	Width (Teeth)	Hub Width	Hub Diameter
			B	E	F	C	A	H
			mm/inch	mm	mm	mm	mm	mm

Split Sprockets And Idlers, Machined - KUS880

Sprockets, Metric Bores								
KUS880-9T_25MM_1KW_PA	10328746	9	25	111.4	109.0	16.0	40.0	75
KUS880-9T_30MM_1KW_PA	10328748	9	30					
KUS880-9T_35MM_1KW_PA	10328750	9	35					
KUS880-9T_40MM_1KW_PA	10328752	9	40	123.3	121.4			90
KUS880-10T_25MM_1KW_PA	10328734	10	25					
KUS880-10T_30MM_1KW_PA	10328736	10	30					
KUS880-10T_35MM_1KW_PA	10328738	10	35	135.2	133.9			
KUS880-11T_25MM_1KW_PA	10328723	11	25					
KUS880-11T_30MM_1KW_PA	10139246	11	30					
KUS880-11T_35MM_1KW_PA	10328727	11	35	147.2	145.8			
KUS880-11T_40MM_1KW_PA	10328729	11	40					
KUS880-12T_25MM_1KW_PA	10328712	12	25					
KUS880-12T_30MM_1KW_PA	10139247	12	30	147.2	145.8			
KUS880-12T_35MM_1KW_PA	10139248	12	35					
KUS880-12T_40MM_1KW_PA	10328718	12	40					

Idlers, Metric Bores								
KUS880-9T_25MM_I_PA	10328747	9	25	111.4	109.0	16.0	40.0	75
KUS880-9T_30MM_I_PA	10328749	9	30					
KUS880-9T_35MM_I_PA	10328751	9	35					
KUS880-9T_40MM_I_PA	10328753	9	40	123.3	121.4			90
KUS880-10T_25MM_I_PA	10324458	10	25					
KUS880-10T_30MM_I_PA	10328737	10	30					
KUS880-10T_35MM_I_PA	10328739	10	35	135.2	133.9			
KUS880-10T_40MM_I_PA	10328741	10	40					
KUS880-11T_25MM_I_PA	10328724	11	25					
KUS880-11T_30MM_I_PA	10328726	11	30	147.2	145.8			
KUS880-11T_35MM_I_PA	10328728	11	35					
KUS880-11T_40MM_I_PA	10328730	11	40					
KUS880-12T_25MM_I_PA	10328713	12	25	147.2	145.8			
KUS880-12T_30MM_I_PA	10328715	12	30					
KUS880-12T_35MM_I_PA	10328717	12	35					
KUS880-12T_40MM_I_PA	10328719	12	40					

For plastic chain series: 879, 880, RHM, RHMD, RHMP, RHMDP, SHP

Split Sprockets and Idlers, Injection Moulded - NS880

Sprockets, Metric Bores								
NS880-10T_25MM_1KW_PA	10177499	10	25	123.3	122.5	15.9	58.5	60
NS880-10T_30MM_1KW_PA	10177500	10	30					
NS880-10T_35MM_1KW_PA	10299859	10	35					
NS880-10T_40MM_1KW_PA	10177501	10	40	147.2	147.4			
NS880-10T_45MM_1KW_PA	10334477	10	45					
NS880-12T_25MM_1KW_PA	10334479	12	25					
NS880-12T_30MM_1KW_PA	10028733	12	30	147.2	147.4			
NS880-12T_35MM_1KW_PA	10028734	12	35					
NS880-12T_40MM_1KW_PA	10334485	12	40					
NS880-12T_45MM_1KW_PA	10334486	12	45					

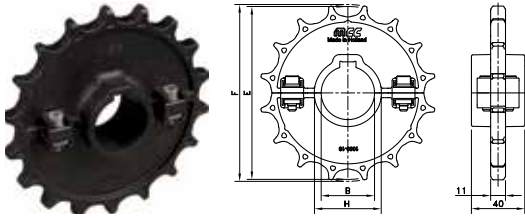
Sprockets, Inch Bores								
NS880-12T_1IN_1KW_PA	10447311	12	1.000"	147.2	147.4	15.9	58.5	60
NS880-12T_1-1/4IN_1KW_PA	10328306	12	1.250"					

Idlers, Metric Bores								
NS880-10T_25MM_I_PA	10177502	10	25	123.3	122.5	15.9	58.5	60
NS880-10T_30MM_I_PA	10334471	10	30					
NS880-10T_35MM_I_PA	10334473	10	35					
NS880-10T_40MM_I_PA	10334475	10	40	147.2	147.4			
NS880-12T_25MM_I_PA	10334478	12	25					
NS880-12T_30MM_I_PA	10334480	12	30					
NS880-12T_35MM_I_PA	10334482	12	35	147.2	147.4			
NS880-12T_40MM_I_PA	10334484	12	40					

For plastic chain series: 879, 880, RHM, RHMD, RHMP, RHMDP, SHP.

* Ask Customer service for minimum order quantity of NS880 sprockets with inch bores.

NS1050



Sprocket Type	Code Number	Number of Teeth	Bore	Pitch Diameter	Outside Diameter	Width (Teeth)	Hub Width	Hub Diameter
			B	E	F	C	A	H
			mm/inch	mm	mm	mm	mm	mm

Split Sprockets and Idlers, Injection Moulded - NS1050

Sprockets, Metric Bores

NS1050-16T_30MM_1KW_PA	10292804	16	30	130.2	130.9	11.0	40.0	40.0
NS1050-16T_40MM_1KW_PA	10139080	16	40	130.2	130.9	11.0	40.0	50.0
NS1050-18T_30MM_1KW_PA	10139079	18	30	146.3	146.8	11.0	40.0	40.0
NS1050-18T_40MM_1KW_PA	10139081	18	40	146.3	146.8	11.0	40.0	50.0

Sprockets, Inch Bores

NS1050-16T_1-1/2IN_1KW_PA	10328181	16	1.500"	130.2	130.9	11.0	40.0	48.1
NS1050-18T_1-1/2IN_1KW_PA	10139082	18	1.500"	146.3	146.8	11.0	40.0	48.1

Idlers, Metric Bores

NS1050-16T_30MM_I_PA	10334381	16	30	130.2	130.9	11.0	40.0	40.0
NS1050-16T_40MM_I_PA	10139078	16	40	130.2	130.9	11.0	40.0	50.0
NS1050-18T_30MM_I_PA	10139077	18	30	146.3	146.8	11.0	40.0	40.0
NS1050-18T_40MM_I_PA	10334387	18	40	146.3	146.8	11.0	40.0	50.0

Idlers, Inch Bores

NS1050-16T_1-1/2IN_I_PA	10328180	16	1.500"	130.2	130.9	11.0	40.0	48.1
NS1050-18T_1-1/2IN_I_PA	10328182	18	1.500"	146.3	146.8	11.0	40.0	48.1

For plastic chain series: 1040, 1050, 1055, 1060.

The product program offers a wide range of Rexnord multiflex chains and case conveyor chains. These chains are intended for single lane product handling in a variety of applications.

Features

Multiflex Chains

These chains use a unique pivot to connect the hinge pin with the chain link. In standard side-flexing chains the pin and hinge have to deal with horizontal rotation, due to the sideflexing of the chain in the curve, and with vertical rotation of the hinge, when moving over the sprocket. The pivot uncouples these movements, as the hinge pin is only involved in the rotations because of the chain links moving over the sprocket. The pivot can rotate inside the chain link, allowing sideflexing in a curve. Due to the pivot, multiflex chains are ideally suitable for running through multiple curves.

Armor Clad

The 1700 multiflex chains are also available with a hardened steel cover, the Armor Clad AC 1700 K. Because of this cover the chain is very suitable to convey parts with a high temperature that could damage a plastic chain surface. The steel cover gives the chain an excellent wear life, to make it suitable for part handling in automotive and similar applications

Safety

The ZeroGap 1765, 1775 and 1785 multiflex chain have a unique top plate design. The chain surface always stays closed when the chain is running through a curve or over a sprocket. Both chains are commonly used in packaging and automotive industry.

Case conveyor Chains

These chains have a very robust design, making them ideally suited for tough applications, such as case and crate handling. They are very open to deal with the often abrasive debris in these kinds of applications. The conveyor design for these chains can be very simple, resulting in a very economic solution for the sometimes very long distances empty or full crates and cases have to be conveyed in a production line.

Pin design

Both Multiflex and Case Conveyor chains have chain links characterized by two legs. The pins have a special design to prevent opening up of these link legs. This results in a high allowable working load.

Corner discs

For multiflex and some sideflexing slatband chains, corner discs can be used to reduce the friction in the curves, allowing a multitude of curves within one conveyor.

The use of corner discs is mainly found in conveyors with low-speed part handling in dairy applications, automotive part handling, tobacco industry, etc. The N880 drive corner disc with a toothed contour is used to drive the chain, integrating sprocket and curve function in the corner disc. This means that no return section for the chain is needed, making the conveyor design more simple and economic. In this kind of conveyor design however the amount of pitch elongation due to wear that can be absorbed is limited. The disc is mounted on the drive shafts by means of a clamping device, for which standard machine components can be used.

The carry disc is used in the upper part of the conveyor, contacting the chain in the normal position when it is conveying products. The return disc is used in the return part of the conveyor, contacting the chain when it is in the upside-down position. The ball bearing types of corner discs are recommended for high-speed and high-load applications; ball bearings are not included. In all other applications corner discs with thermoplastic bushings can be used. An open corner disc is mounted on the shaft which needs to run through the disc. A closed corner disc is mounted on top of the shaft. Some closed versions, such as 880B0, offer the ability to break out a diaphragm in the closing cap.



Programme

Multiflex and case conveyor chains are available in the following executions:

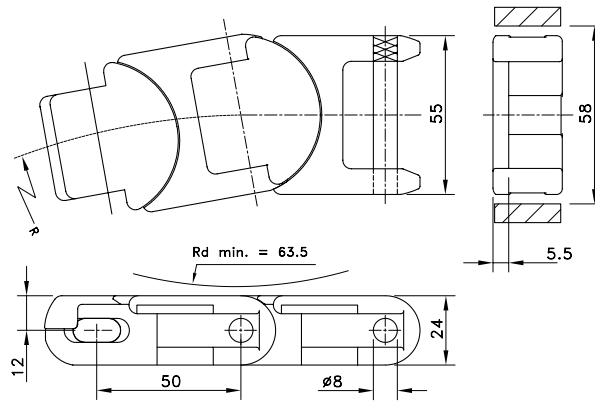
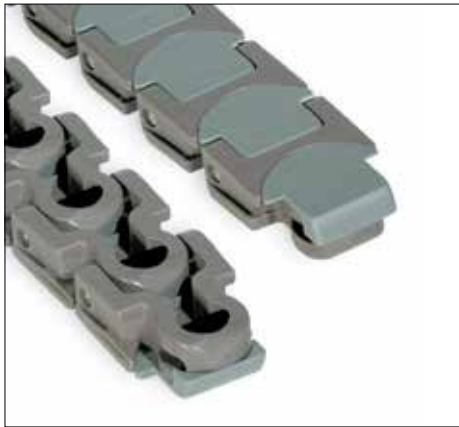
Rexnord Multiflex Chains	
1765	ZeroGap 50 mm pitch chain without gaps if sideflexing or running over a sprocket; low noise and long wear life
1757	1.5" pitch chain with unique top plate design, ideal for extruded aluminum modular conveyor designs, commonly used for part handling applications; also available with rubber top
1700	Basic 50 mm pitch chain when using corner disks; available in 3 versions: standard, with tabs and with hardened steel top surface (AC1700K)
1720	50 mm pitch chain for irregular cardboard containers; bidirectional and smooth edges
1775	1775 Zerogap 25 mm pitch chain with unique zerogap plate design, ideal for critical product handling like delicate consumer packaging
1785	1785 Zerogap designed with a heavy-duty 2-inch (48 mm) pitch. This chain can be used in a variety of industrial applications.
Case Conveyor Chains	
CC 1400	Reinforced chain; available in straight running and sideflexing executions
CC 1431	Reinforced chain with higher links; available in sideflexing execution
BSM2755	The 2755 Series Chain is designed for heavy load side-flex applications which require a combination of high-strength and robustness

Application

Chain Type	Standard Stable Products	Small Parts & Unstable Products	Large & Heavy Products (industrial)	Wide Products	Bi-directional Conveyors	Abrasive Parts Conveying	Inline Conveyors	Crate Conveying	Finger Safety
1700	Best choice					Optional		Optional	
AC 1700						Best choice			
1757	Optional	Best choice		Optional			Best choice		
1765 ZeroGap™	Optional	Best choice			Best choice	Optional			Best choice
1775 ZeroGap™	Optional	Best choice							Best choice
1785 ZeroGap™	Optional	Best choice	Best choice	Best choice		Optional			Best choice
BSM2755			Best choice	Optional		Best choice		Best choice	

Optional
 Best choice

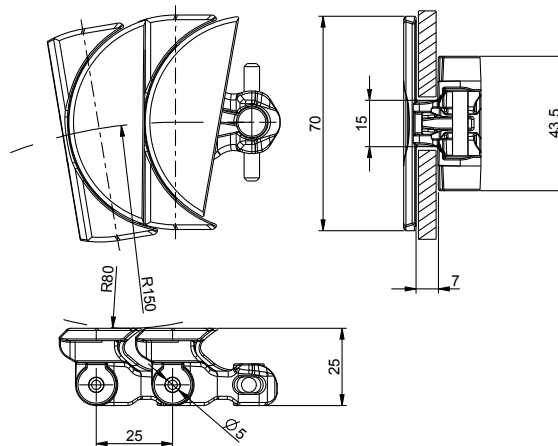
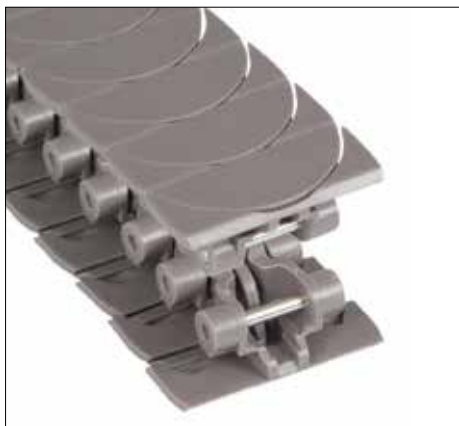
1765 ZeroGap™



Chain Type	Code Number	Link Width		Weight kg/m	Working Load (max.) N (21°C)	Backflex Radius (min) mm	Sideflex Radius (min) mm
		mm	inch				
HP-Acetal							
HP1765 ZG-55MM	10177518	55.0	2.17	1.46	2670	63.5	125

Standard length: 3.05 m - 10 feet (61 links).

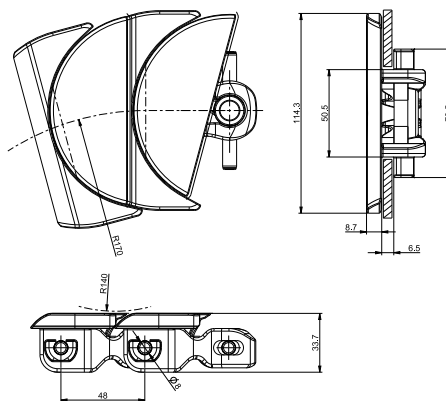
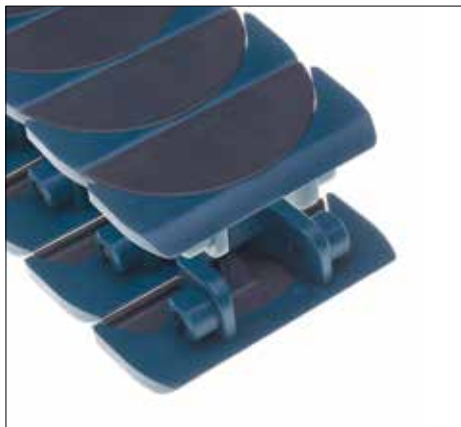
1775 ZeroGap™



Chain Type	Code Number	Link Width		Weight kg/m	Working Load (max.) N (21°C)	Backflex Radius (min) mm	Sideflex Radius (min) mm
		mm	inch				
HP-Acetal							
HP1775 ZG-70MM	10177523	70.0	2.76	1.05	1000	80	150

Standard length: 5 m – 16.4 ft (200 pitches).

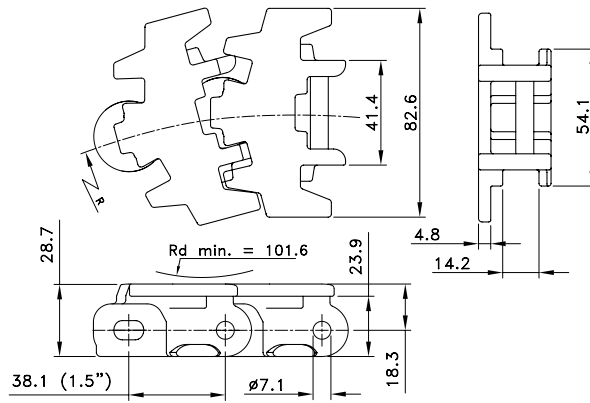
1785 ZeroGap™



Chain Type	Code Number	Link Width		Weight kg/m	Working Load (max.) N (21°C)	Backflex Radius (min) mm	Sideflex Radius (min) mm
		mm	inch				
XLG-Acetal							
XLG1785 ZG	10186170	114.3	4.5	2.54	2500	140	170

Standard length: 2.40 m - 7.87 feet (50 links).

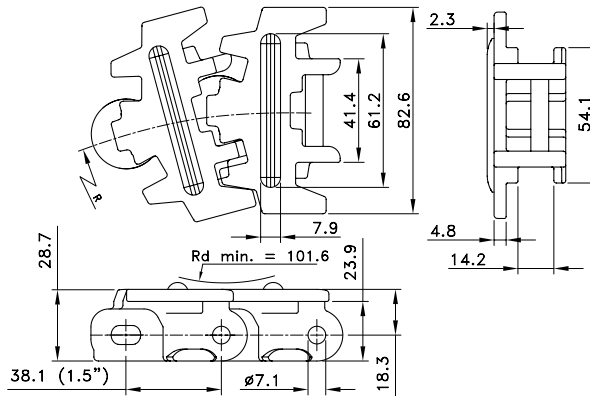
1757 TAB



Chain Type	Code Number	Link Width		Weight	Working Load (max.)	Backflex Radius (min)	Sideflex Radius (min)
		A					
		mm	inch				
LF-Acetal							
LF1757TAB-3.25IN SS PIN	10144646	82.6	3.25	1.48	1735	102	152

Standard length: 3.048 m - 10 feet (80 links).

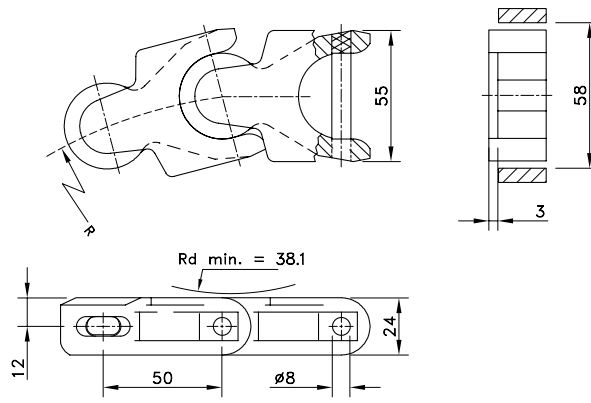
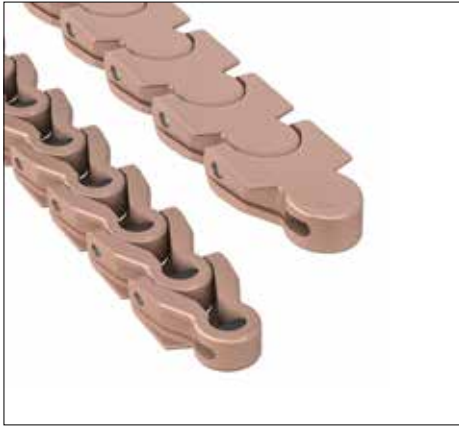
1757 TAB with Rubber



Chain Type	Code Number	Link Width		Weight	Working Load (max.)	Backflex Radius (min)	Sideflex Radius (min)
		A					
		mm	inch				
HP-Acetal							
HP1757TAB SG-3.25IN 1SGD60 T1P ZN PIN	10145209*	82.6	3.25	1.48	1735	102	152

Standard length: 3.048 m - 10 feet (80 links).

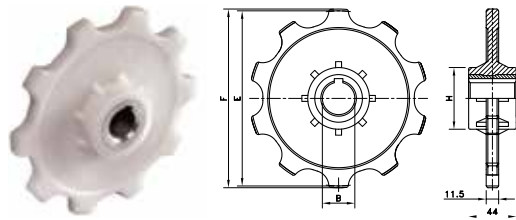
* Minimum order quantity 30.48 m – 100 feet.



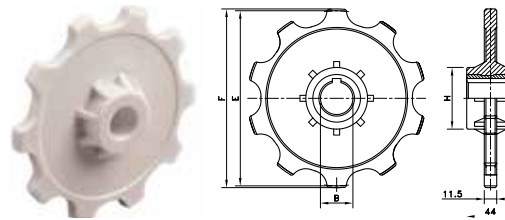
Chain Type	Code Number	Link Width A		Weight kg/m	Working Load (max.) N (21°C)	Backflex Radius (min) mm	Sideflex Radius (min) mm
		mm	inch				
LF-Acetal							
LF1700-55MM SS PIN	10156539	55.0	2.17	1.26	2670	38.1	140
Acetal with Hardened Steel Top Plates							
LF1700K AC-ZN-55MM ZN PIN	10374002	55.0	2.17	60	2670	38.1	140

Standard length: 10 m - 32.8 feet (200 links).

N1700



N1700



Sprocket Type	Code Number	Number of Teeth	Bore	Pitch Diameter	Outside Diameter	Width (Teeth Ring)	Hub Width	Hub Diameter
			B	E	F			
			mm	mm	mm	mm	mm	mm

N1700 - Classic Plastic Sprockets, Injection Moulded, Brass Hub

Metric Bores								
N1700-10T_24MM_1KW_PA	10334287	10	24	161.8	165.1	11.1	44.0	57
N1700-10T_25MM_1KW_PA	10334289	10	25					
N1700-10T_30MM_1KW_PA	10334290	10	30					

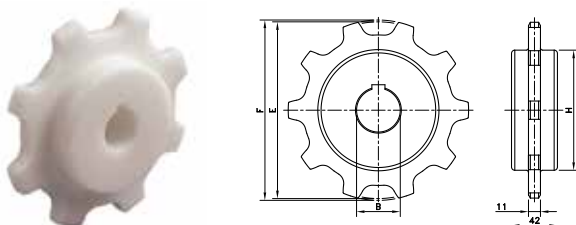
For Multiflex chain series: 1700, 1710, 1713, 1720, 1765.

NX 1700 - Classic Plastic Idler, Injection Moulded

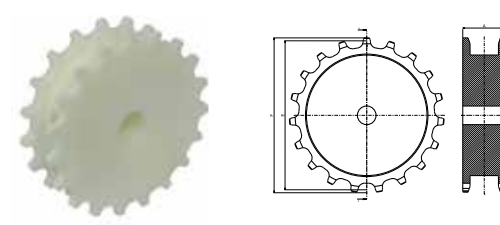
Metric Bores								
N1700-10T_25MM_I_PA	10177513	10	25	161.8	165.1	11.1	43.0	50

For Multiflex chain series: 1700, 1720, 1765.

KU1700



KU1775



KU 1700 - Classic Plastic Sprockets, Machined

Metric Bores								
KU1700-8T_20MM_P_PA	10298178	8	19	130.7	132.8	11.1	42.0	79
KU1700-8T_25MM_1KW_PA	10330978	8	25					
KU1700-8T_30MM_1KW_PA	10331380	8	30					
KU1700-10T_20MM_P_PA	10298179	10	19	161.8	165.1	11.1	42.0	110
KU1700-10T_25MM_1KW_PA	10330980	10	25					
KU1700-10T_30MM_1KW_PA	10331382	10	30					

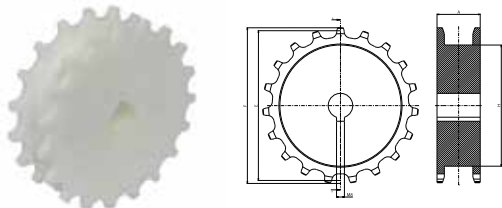
For Multiflex chain series: 1700, 1720, 1765

KU 1775 - Classic Plastic Sprockets, Machined

Metric Bores								
KU1775-19T_19MM_P_PA	10283942	19	25	151.9	157.9	7.4	43.8	112.9

For Multiflex chain series: 1775.

KUS1775

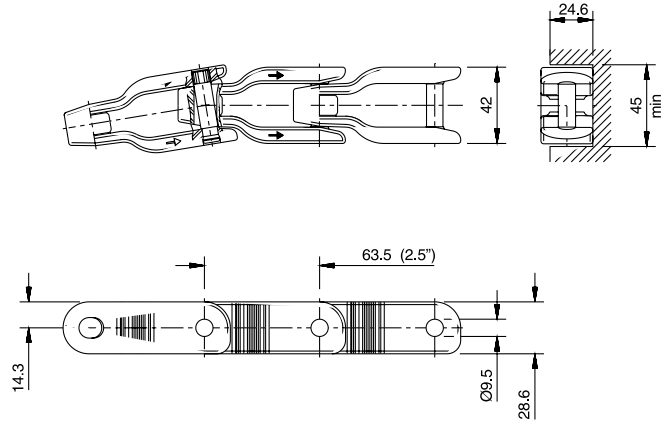


Split Plastic Sprockets, Machined – KUS1775

Metric Bores								
KUS1775-19T_25MM_1KW_PA	10365398	19	25	151.9	157.9	7.4	43.8	112.9

For Multiflex chain series: 1775

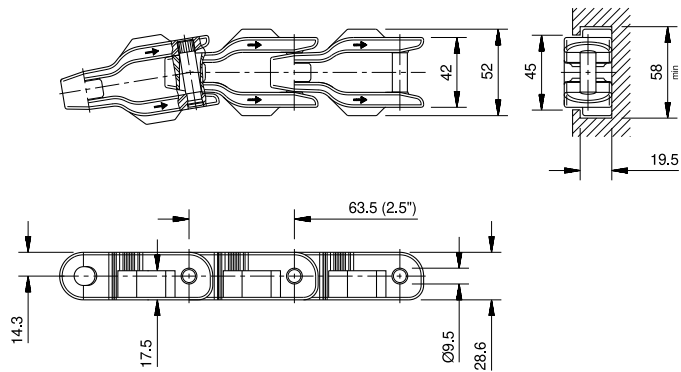
Straight Run without TABS



Chain Type	Code Number	Link Width A		Weight kg/m	Working Load (max.) N (21°C)	Backflex Radius (min) mm	Sideflex Radius (min) mm
		mm	inch				
LF-Acetal							
LF600-42MM	10139129	42.0	1.66	1.20	3950	50	457

Standard length: 3.048 m - 10 feet (48 links).

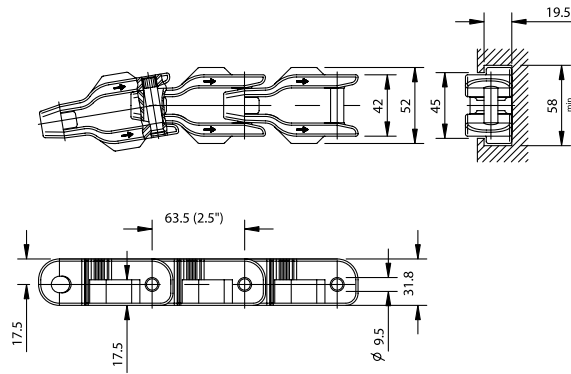
Sideflex with TABS



Chain Type	Code Number	Link Width A		Weight kg/m	Working Load (max.) N (21°C)	Backflex Radius (min) mm	Sideflex Radius (min) mm
		mm	inch				
LF-Acetal							
LF600TAB-42MM	10375137	42.0	1.66	1.25	3950	50	457

Standard length: 3.048 m - 10 feet (48 links).

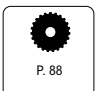
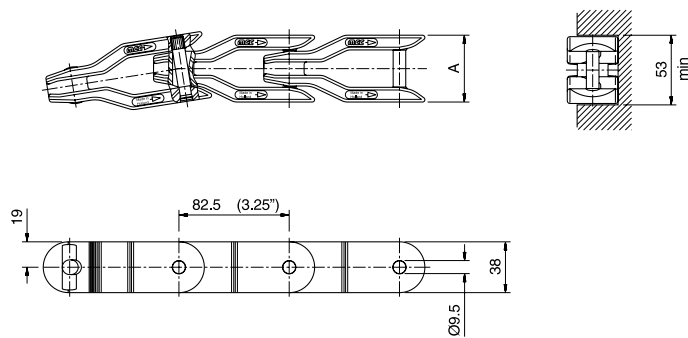
Sideflex with Tabs with Higher Link



Chain Type	Code Number	Link Width A		Weight kg/m	Working Load (max.) N (21°C)	Backflex Radius (min) mm	Sideflex Radius (min) mm
		mm	inch				
LF-Acetal							
LF631TAB-42MM	10139125	42.0	1.66	1.35	3950	50	457

Standard length: 3.048 m - 10 feet (48 links).
*Ask customer service for minimum order quantity.

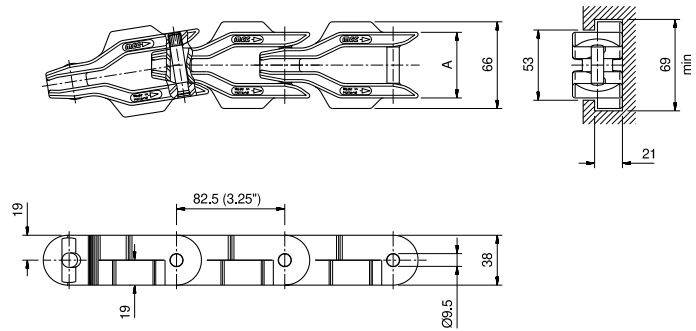
Straight Run Reinforced without Tabs



Chain Type	Code Number	Link Width A		Weight kg/m	Working Load (max.) N (21°C)	Backflex Radius (min) mm	Sideflex Radius (min) mm
		mm	inch				
LF-Acetal							
LF1400-50MM	10139124	50.0	1.97	1.70	6500	50	660

Standard length: 3.053 m - 10 feet (37 links).

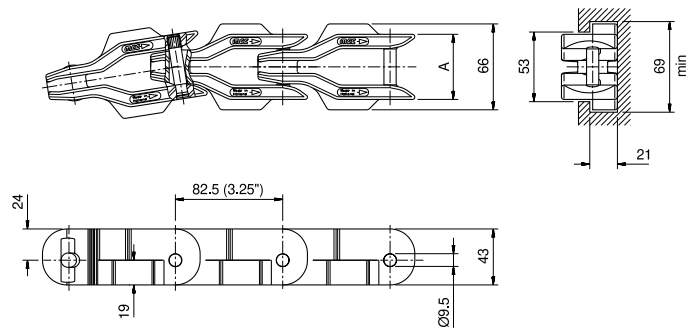
Sideflex Reinforced with TABS



Chain Type	Code Number	Link Width A		Weight kg/m	Working Load (max.) N (21°C)	Backflex Radius (min) mm	Sideflex Radius (min) mm
		mm	inch				
LF-Acetal							
LF1400TAB-50MM	10139123	50.0	1.97	1.75	6500	50	660

Standard length: 3.053 m - 10 feet (37 links).

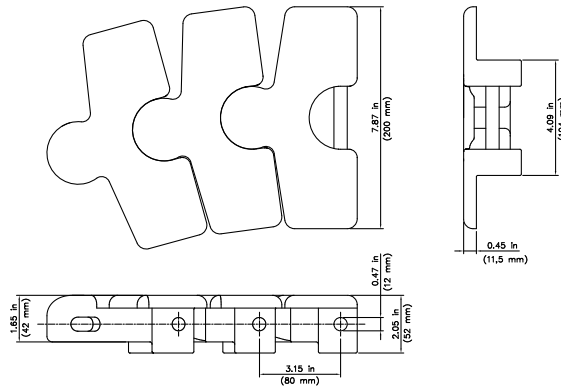
Sideflex Reinforced with Tabs with Higher Link



Chain Type	Code Number	Link Width A		Weight kg/m	Working Load (max.) N (21°C)	Backflex Radius (min) mm	Sideflex Radius (min) mm
		mm	inch				
LF-Acetal							
LF1431TAB-50MM	10375147	50.0	1.97	2.02	6500	50	660

Standard length: 3.053 m - 10 feet (37 links).

BSM 2755 Series TableTop Chain

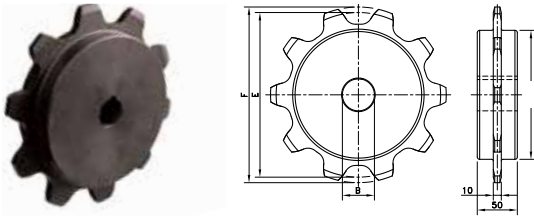


Chain Type	Code Number	Plate Width		Weight	Working Load (max.)	Sideflex Radius (min)	Backflex Radius (min)	Plate Thickness
		mm	inch					
BSM2755-200MM	10374922	200	7.87	6.1	12.500	23.9 / 600	4.9 / 125	0.45 / 11.5

Standard length: 1.52 m – 5 ft (19 links).



KU600

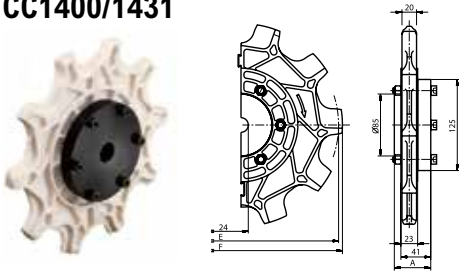


Type	Code Number	Number of Teeth	Bore B	Pitch Diameter E	Outside Diameter F	Hub Width A
			mm	mm	mm	mm

Classic Sprockets for CC600/631

Metric Bores						
KU600-6T_20MM_P_PA	10298157	6	20	127.0	128.0	50
KU600-8T_20MM_P_PA	10298154	8	20	165.9	177.7	
KU600-10T_20MM_P_PA	10298155	10	20	205.5	219.3	

CC1400/1431



Semi-Split Sprockets for CC1400/1431						
Sprocket Ring Set						
SPROCKET RING CC1400-10T	10139157	10	-	267.0	278.4	

The split sprocket rings and unsplit hubs are supplied separately, so that the hub doesn't need to be replaced in case of wear of the sprocket rings.

Rexnord has a wide variety of Plate Top and Gripper chains. The roller chain based Plate Top is developed for greater loading capacity and permits even higher speeds and longer runs than slatband chains. The roller based Gripper is perfect for product elevating, lowering, rinsing, sterilizing and inverting, by means of soft rubber gripper elements.

The base chain is made of steel or stainless steel.



Features

Plate Top chains

These chains permit a huge loading capacity, higher speeds and longer runs with a single drive. The straight running 843- and the 1843-series have a roller base chain ANSI 40. The 12.7 mm small pitch reduces the sagging effect and permits the use of smaller sprockets. They are recommended for step by step positioning. The straight running 1864- and 963-series have a roller base chain ANSI 60. The sideflexing 1874-, 1873-, and 3873-series have a roller base chain, Side Bow ANSI 63 SB. They also very suitable for step by step positioning. Plate Top chains fitted with steel top plates are designed for abrasive and heavy duty or high-temperature conditions. 963- 1873- and 3873-series, with “snap-on” plastic top plates combine the benefits of a plastic conveying surface with those of a precision roller base chain: less slip-stick, high working load and accurate positioning; the replaceable top plates are clipped on to the protruding pins.

Gripper chains

Main applications of Plate Top Gripper chains can be found in glass works. However, they can be used in various other situations, such as crate handling and can manufacturing. Typical Gripper solutions are omegas for easy crossing of production lines, all lifting and lowering with Gripper chain elevators. The grippers are provided in 2- or 3-finger grippers for smaller products and in D-type Grippers for other applications.

Connection links

All roller based chains are supplied in 10ft sections and provided with a connection link, so that the chains can be coupled very easily.

Sprockets

Plate Top chains don't require special sprockets. Standard ANSI 40 and 60 sprockets will fit; therefore they are not part of Rexnord's standard offering.

Plate Top	
1864	Straight running chains with steel top plates, suitable for heavy loads, long distances and high speeds. The chain consists of a base roller chain with welded on top plates in various steel alloys. The gap between the plates is 1.6 mm wide
963	Straight running chains with plastic overlapping top plates, therefore a uni-directional travel. The continuous surface facilitates stability and eases operations with unstable products
843	Straight running chains with plastic overlapping top plates, clipped on the protruding pins. Uni-directional travel
1843 TAB	Sideflexing tab chains with plastic top plates. Same construction as 843
1874 TAB	Sideflexing chains with steel "snap-on" top plates to form a continuous flat conveying surface. Hold-down tabs provide positive retention in curves and inclines. They will be used in abrasive and heavy duty or high-temperature conditions
1873 TAB	Sideflexing chains with plastic top plates; bi-directional travel. Also available with a rubber, anti-slip insert for inclined conveying up to 25°. The TAB guides permit to continue either from an inclined run to a plain one or vice versa
3873 TAB	Sideflexing chains with plastic top plates for a continuous surface, even in tight radius. Perfect for transport of trays. The Polycarbonate top plates are extreme resistant against impact

Gripper	
1874 TAB	Fitted with steel top plates for abrasive or high-temperature conditions. The base is a standard roller chain Side Bow ANSI 63 SB. The gripper elements are available as GD (smooth pad) and GJ (grooved pad); as clipped on they are easily replaceable. The clip for the TAB guide is riveted on the top plate.
1843 TAB	Fitted with thermoplastic top plates for a quieter and smoother operation; these mini-gripper chains enable reduction of plant weight, increase of conveying speed and dry service. The base is a standard roller chain Side Bow ANSI 43 SB. The clipped on gripper elements are available as GD (smooth pad) and GJ (grooved pad). These chains are specially suited for conveying ampoules, test tubes and other minute products, such as small industrial components
1873 TAB	Fitted with thermoplastic top plates for a quieter and smoother operation, enabling reduction of plant weight, increase of conveying speed and dry service. The base chain is a standard roller chain Side Bow ANSI 63 SB. GSD/GS2J/GS3J grippers are clipped on for easy replacement, GDB/GJB grippers are resistant to bending.

The chain description consists of respectively the material, type, plate width in inches, GRIP for grippers and a code indicating the gripper execution: D for D-style grippers, providing a smooth pad or flat surface; J for grooved path, in some cases combined with the number of gripper fingers per link.

Application

Plate Top Chain Type	Clean, dry, light duty	Clean, wet, light duty	Abrasive, dry, light duty	Abrasive, wet, light duty	Clean, dry, heavy duty	Clean, wet, heavy duty	Abrasive, dry, heavy duty	Abrasive, wet, heavy duty	Incline conveyor
1864									
1864 SS									
963									
843									
1843 TAB									
1874 TAB									
1873 TAB, LF Top Plate									
3873 TAB									
HFP 1873 TAB									

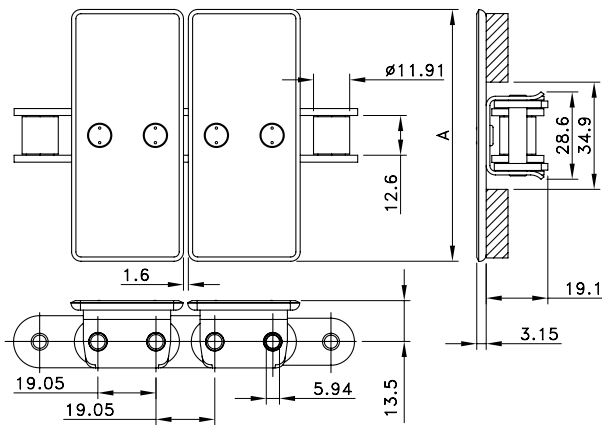
Application

Gripper Chain Type	Small empty product elevator	Small full product elevator	Large empty product elevator	Large full product elevator	Rinser application, ambient	Rinser application, high temperature
1874 TAB, Stainless Steel Top Plate						
1843 TAB, LF top plate						
1873 TAB, HP top plate						
1873 TAB, LF top plate						

Steel base chains are recommended for dry applications, stainless steel base chains are recommended for wet applications.

Optional Best choice

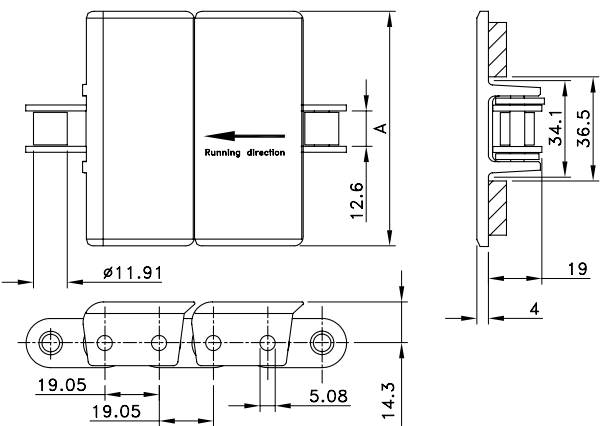
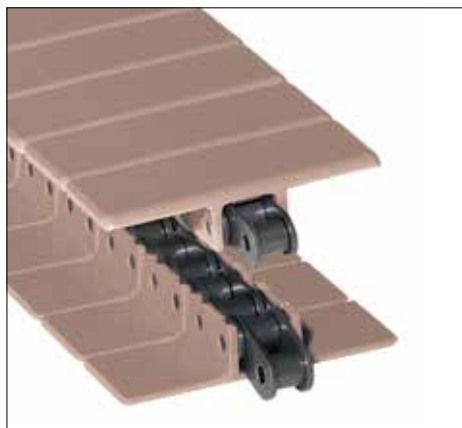
Straight Run 3/4" Pitch Steel Top Plate



Chain Type	Code Number	Plate Width		Weight	Working Load (max.)
		A			
		mm	inch	kg/m	N (21°C)
Steel Top Plate/Steel Base Chain					
S1864 S-3.25IN	10144787	82.5	3.25	3.33	4500
S1864 S-4.5IN	10144788	114.3	4.50	4.00	
S1864 S-6IN	10144789	152.4	6.00	4.40	
S1864 S-7.5IN	10144790	190.5	7.50	4.80	
Stainless Steel Top Plate/Stainless Steel Base Chain					
SS1864 SS-3.25IN	10144792	82.5	3.25	3.33	3400
SS1864 SS-4.5IN	10144793	114.3	4.50	4.00	
SS1864 SS-6IN	10144794	152.4	6.00	4.40	
SS1864 SS-7.5IN	10144795	190.5	7.50	4.80	

Standard length: 3.048 m – 10 feet (160 links). Min. backflex radius 305 mm.

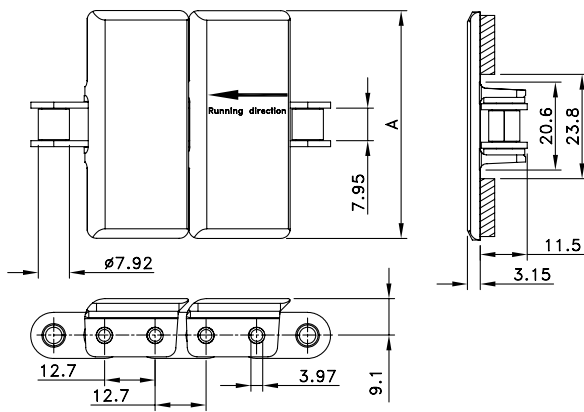
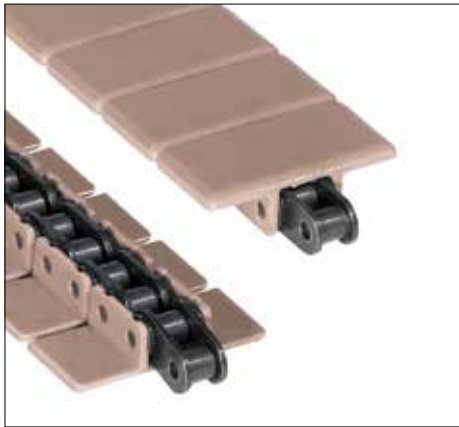
Straight Run 3/4" Pitch Plastic Top Plate



Chain Type	Code Number	Plate Width		Weight	Working Load (max.)
		A			
		mm	inch	kg/m	N (21°C)
LF-Acetal Top Plate/Steel Base Chain					
LF963 S-3.25IN	10177766	82.5	3.25	2.10	2700
LF963 S-4.5IN	10177768	114.3	4.50	2.23	
LF963 S-6IN	10177770	152.4	6.00	2.53	
LF963 S-7.5IN	10177771	190.5	7.50	2.68	
LF-Acetal Top Plate/Stainless Steel Base Chain					
LF963 SS-3.25IN	10177772	82.5	3.25	2.10	1900
LF963 SS-4.5IN	10177773	114.3	4.50	2.23	
LF963 SS-6IN	10177774	152.4	6.00	2.53	
LF963 SS-7.5IN	10177775	190.5	7.50	2.68	

Standard length: 3.048 m – 10 feet (160 links). Min. backflex radius 153 mm.

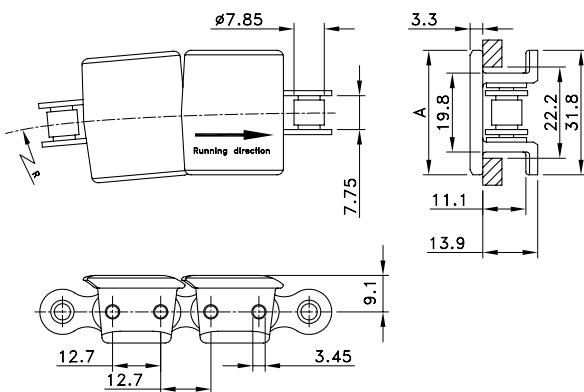
Straight Run 1/2" Pitch Plastic Top Plate



Chain Type	Code Number	Plate Width A		Weight kg/m	Working Load (max.) N (21°C)
		mm	inch		
LF-Acetal Top Plate/Steel Base Chain					
LF843-1.38IN	10373764	34.9	1.38	0.83	2700
LF843-1.44IN	10373765	36.5	1.44	0.84	
LF843-2IN	10373766	50.8	2.00	0.89	
LF843-3.25IN	10373767	82.5	3.25	1.03	
LF-Acetal Top Plate/Stainless Steel Base Chain					
LF843 SS-1.375IN	10177709	34.9	1.38	0.83	1900
LF843 SS-1.438IN	10177710	36.5	1.44	0.84	
LF843 SS-2IN	10177711	50.8	2.00	0.89	
LF843 SS-3.25IN	10177712	82.5	3.25	1.03	

Standard length: 3.048 m – 10 feet (240 links).
Min. backflex radius 153 mm.

Sideflex 1/2" Pitch Tab Plastic Top Plate



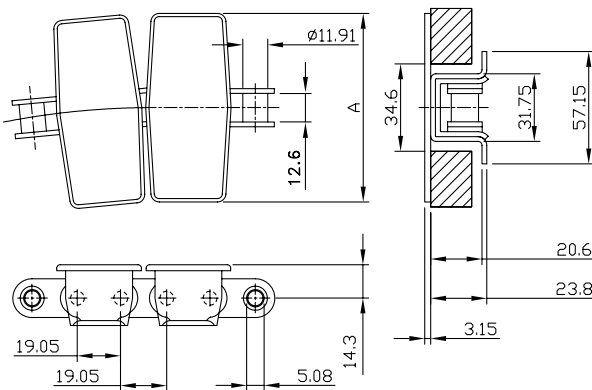
1843 MO Pin Plate
(Part #10084585)
Identifies Connector Link




Chain Type	Code Number	Plate Width A		Weight kg/m	Loose Top Plate Code Number	Working Load (max.) N (21°C)	Sideflex Radius (min) mm	Connection Link	
		mm	inch					Type	Code Number
LF-Acetal Top Plate/Steel Base Chain									
LF1843TAB S-1.25IN	10177561	31.8	1.25	0.74	10365405	2700	254	CONN LINK 1843 S	10084585
LF1843TAB S-2IN	10177562	50.8	2.00	0.90	10365406				

Standard length: 3.048 m – 10 feet (240 links).
Min. backflex radius 102 mm.

Sideflex 3/4" Pitch Tab Steel Top Plate




63 Pin Plate
 (Part #10370501)
 Identifies Connector Link



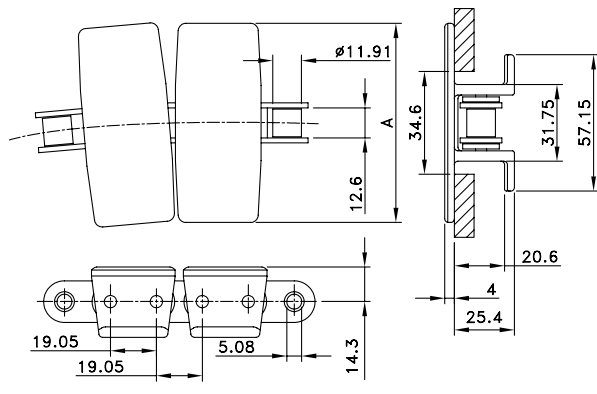
63 (SS) MO Pin Plate
 (Part #10137637)
 Identifies Connector Link





Chain Type	Code Number	Plate Width		Weight	Loose Top Plate	Working Load (max.)	Sideflex Radius (min)	Connection Link	
		A						Type	Code Number
		mm	inch	kg/m	Code Number	N (21°C)	mm		
Steel Top Plate/Steel Base Chain									
S1874TAB S-3.25IN	10084603	82.5	3.25	4.20	10069632	4500	381	CL 63 BTL SP	10370501
S1874TAB S-4.5IN	10084604	114.3	4.50	4.80	10069634		381		
S1874TAB S-6IN	10084605	152.4	6.00	5.70	10069638		457		
S1874TAB S-7.5IN	10084606	190.5	7.50	6.40	10069635		610		
Stainless Steel Top Plate/Stainless Steel Base Chain									
SS1874TAB SS-3.25IN	10084609	82.5	3.25	4.20	10069636	3400	381	CL 63 SS_KRV UKS BTL SP	10137637
SS1874TAB SS-4.5IN	10084610	114.3	4.50	4.80	10069637		381		
SS1874TAB SS-6IN	10084611	152.4	6.00	5.70	10069640		457		
SS1874TAB SS-7.5IN	10084612	190.5	7.50	6.40	10069639		610		

Standard length: 3.048 m – 10 feet (160 links).
Min. backflex radius 254 mm.

Sideflex 3/4" Pitch Tab Plastic Top Plate




63 Pin Plate
 (Part #10370501)
 Identifies Connector Link

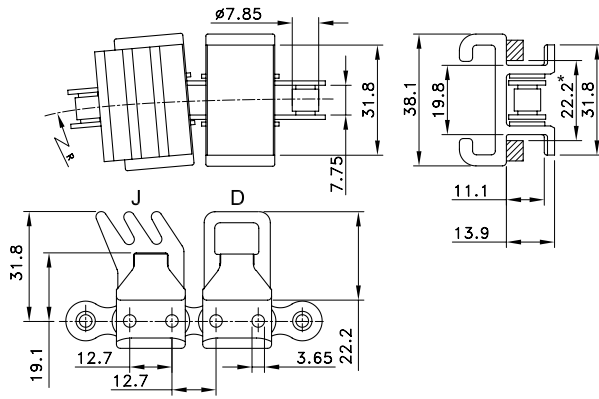

63 (SS) MO Pin Plate
 (Part #10137637)
 Identifies Connector Link



Chain Type	Code Number	Plate Width		Weight	Loose Top Plate	Working Load (max.)	Sideflex Radius (min)	Connection Link	
		A						Type	Code Number
		mm	inch	kg/m	Code Number	N (21°C)	mm		
LF-Acetal Top Plate/Steel Base Chain									
LF1873TAB S-3.25IN	10177569	82.5	3.25	2.10	10365410	4500	390	CL 63_BTL SP	10370501
LF1873TAB S-4.5IN	10177570	114.3	4.50	2.30	10365524		457		
LF1873TAB S-6IN	10177571	152.4	6.00	2.40	10365525		610		
LF1873TAB S-7.5IN	10177572	190.5	7.50	2.60	10365523				
LF1873TAB S-10IN	10177566	254.0	10.00	2.80	10365522				
LF1873TAB S-12IN	10177567	304.8	12.00	3.00	10365526				
LF-Acetal Top Plate/Stainless Steel Base Chain									
LF1873TAB SS-3.25IN	10177576	82.5	3.25	2.10	10365410	3400	390	CL 63 SS_KRV UKS BTL SP	10137637
LF1873TAB SS-4.5IN	10177577	114.3	4.50	2.30	10365524		457		
LF1873TAB SS-6IN	10177578	152.4	6.00	2.40	10365525		610		
LF1873TAB SS-7.5IN	10177579	190.5	7.50	2.60	10365523				
LF1873TAB SS-10IN	10177573	254.0	10.00	2.80	10365522				
LF1873TAB SS-12IN	10177574	304.8	12.00	3.00	10365526				

Standard length: 3.048 m – 10 feet (160 links). Min. backflex radius 305 mm.

Gripper 1/2" Pitch Plastic Tab



1843 MO Pin Plate
(Part #10084585)
Identifies Connector Link



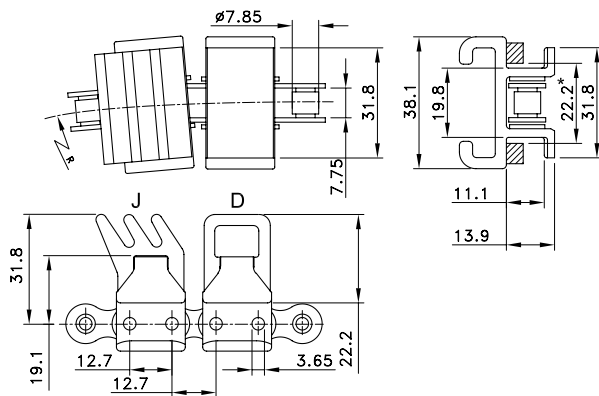
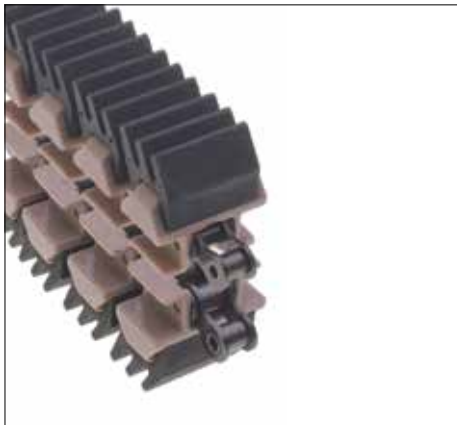
1843 (SS) MO Pin Plate
(Part #10084587)
Identifies Connector Link



Chain Type	Code Number	Plate Width A		Weight kg/m	Working Load (max.) N (21°C)	Sideflex Radius (min) mm	Connection Link	
		mm	inch				Type	Code Number
LF-Acetal Top Plate/Steel Base Chain								
LF1843TAB GRIP S-1.5IN D NEO BK 40	10373972	38.1	1.50	1.20	2700	254	CONN LINK 1843 S	10084585
LF-Acetal Top Plate/Stainless Steel Base Chain								
LF1843TAB GRIP SS-1.5IN D NEO BK 40	10373974	38.1	1.50	1.20	1900	254	CONN LINK 1843 SS	10084587

Standard length: 3.048 m – 10 feet (240 links).

3-Finger Gripper 1/2" Pitch Plastic Tab



1843 MO Pin Plate
(Part #10084585)
Identifies Connector Link



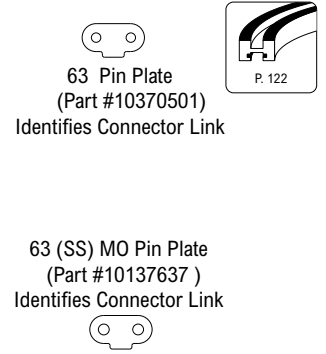
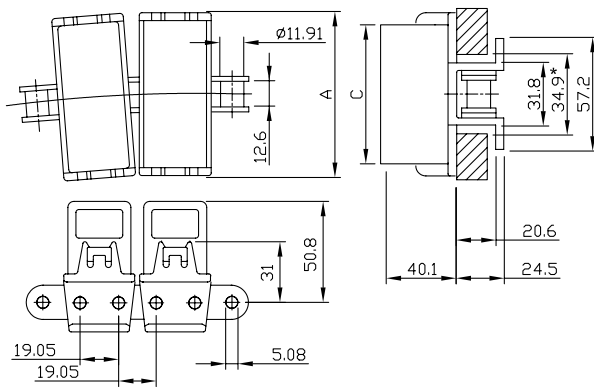
1843 (SS) MO Pin Plate
(Part #10084587)
Identifies Connector Link



Chain Type	Code Number	Plate Width A		Weight kg/m	Working Load (max.) N (21°C)	Sideflex Radius (min) mm	Connection Link	
		mm	inch				Type	Code Number
LF-Acetal Top Plate/Steel Base Chain								
LF1843TAB GRIP S-1.5IN J NEO BK 40SH	10177557	38.1	1.50	1.20	2700	254	CONN LINK 1843 S	10084585
LF-Acetal Top Plate/Stainless Steel Base Chain								
LF1843TAB GRIP SS-1.5IN J NEO BK 40	10373975	38.1	1.50	1.20	1900	254	CONN LINK 1843 SS	10084587

Standard length: 3.048 m – 10 feet (240 links).

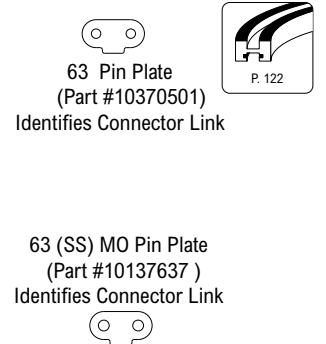
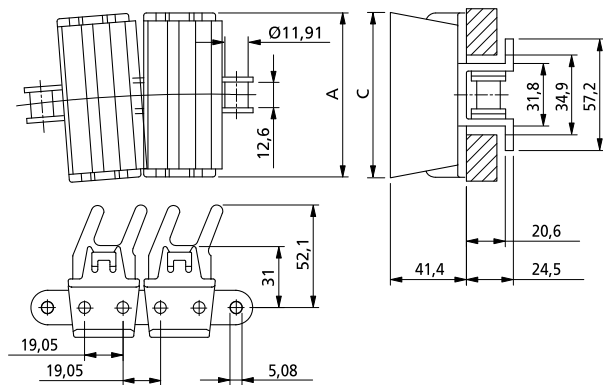
Snap-On Closed Gripper 3/4" Pitch Plastic Tab



Chain Type	Code Number	Plate Width A		Gripper Width C	Weight	Working Load (max.) N (21°C)	Sideflex Radius (min)	Connection Link	
		mm	inch					Type	Code Number
HP-Acetal Top Plate/Steel Base Chain									
HP1873TAB GRIP S-3.25IN SD EPDM GY 50	10373940	82.5	3.25	70	2.90	4500	381	CL 63_BTL SP	10370501
HP1873TAB GRIP S-4.5IN SD EPDM GY 50	10373938	114.3	4.50	102	3.00				
HP-Acetal Top Plate/Stainless Steel Base Chain									
HP1873TAB GRIP SS-3.25IN SD EPDM GY 50	10373944	82.5	3.25	70	2.90	3400	381	CL 63_SS_KRV UKS BTL SP	10137637
HP1873TAB GRIP SS-4.5IN SD EPDM GY 50	10373936	114.3	4.50	102	3.00				

Standard length: 3.048 m – 10 feet (160 links).

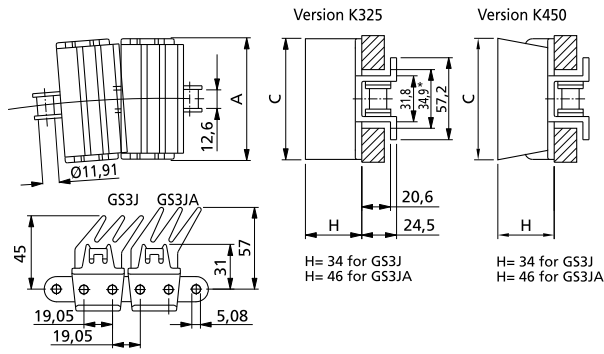
Snap-On 2-Finger Gripper 3/4" Pitch Plastic Tab




Chain Type	Code Number	Plate Width A		Gripper Width C	Weight	Working Load (max.) N (21°C)	Sideflex Radius (min)	Connection Link	
		mm	inch					Type	Code Number
HP-Acetal Top Plate /Steel Base Chain									
HP1873TAB GRIP S-3.25IN S2J EPDM BK 45	10373939	82.5	3.25	77	2.90	4500	381	CL 63_BTL SP	10370501
HP1873TAB GRIP S-4.5IN S2J EPDM BK 45	10373941	114.3	4.50	108	3.00				
HP-Acetal Top Plate /Stainless Steel Base Chain									
HP1873TAB GRIP SS-3.25IN S2J EPDM BK 45	10373943	82.5	3.25	77	2.90	3400	381	CL 63_SS_KRV UKS BTL SP	10137637
HP1873TAB GRIP SS-4.5IN S2J EPDM BK 45	10373945	114.3	4.50	108	3.00				

Standard length: 3.048 m – 10 feet (160 links).

Snap-On 3-Finger Gripper 3/4" Pitch Plastic Tab





63 Pin Plate
 (Part #10370501)
 Identifies Connector Link



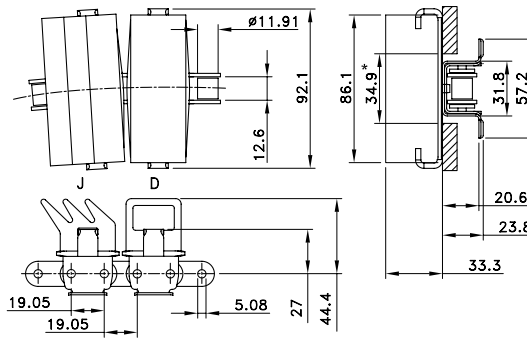



63 (SS) MO Pin Plate
 (Part #10137637)
 Identifies Connector Link

Chain Type	Code Number	Plate Width A		Gripper Width C	Weight	Working Load (max.)	Sideflex Radius (min)	Connection Link	
		mm	inch					Type	Code Number
HP-Acetal Top Plate/Steel Base Chain									
HP1873TAB GRIP S-3.25IN S3J EPDM GY 55	10301910	82.5	3.25	82.5	2.90	4500	381	CL 63_BTL SP	10370501
HP1873TAB GRIP S-4.5IN S3J EPDM GY 55	10373932	114.3	4.50	107	3.00				
HP-Acetal Top Plate/Stainless Steel Base Chain									
HP1873TAB GRIP SS-3.25IN S3J EPDM GY 55	10373942	82.5	3.25	82.5	2.90	3400	381	CL 63 SS_KRV UKS BTL SP	10137637
HP1873TAB GRIP SS-4.5IN S3J EPDM GY 55	10373917	114.3	4.50	107	3.00				
HP-Acetal Top Plate/Steel Base Chain									
HP1873TAB GRIP S-3.25IN S3JA EPDM GY 45	10177525	82.5	3.25	82.5	2.90	4500	381	CL 63_BTL SP	10370501
HP1873TAB GRIP S-4.5IN S3JA EPDM BK 45	10373933	114.3	4.50	109	3.00				
HP-Acetal Top Plate/Stainless Steel Base Chain									
HP1873TAB GRIP SS-3.25IN S3JA EPDM GY 45	10303011	82.5	3.25	82.5	2.90	3400	381	CL 63 SS_KRV UKS BTL SP	10137637
HP1873TAB GRIP SS-4.5IN S3JA EPDM BK 45	10373934	114.3	4.50	109	3.00				

Standard length: 3.048 m – 10 feet (160 links).

Snap-On 3-Finger Gripper 3/4" Pitch Steel Tab





 63 Pin Plate
 (Part #10370501)
 Identifies Connector Link



 63 (SS) MO Pin Plate
 (Part #10137637)
 Identifies Connector Link



Chain Type	Code Number	Plate Width A		Gripper Width C	Working Load (max.)	Sideflex Radius (min)	Connection Link	
		mm	inch				Type	Code Number
Steel Top Plate/Steel Base Chain								
S1874TAB GRIP S-3.625IN D NEO BK 40	10373893	92.1	3.63	5.60	4500	381	CL 63_BTL SP	10370501
S1874TAB GRIP S-3.625IN J EPDM WH 50SH	10144933	92.1	3.63	5.60	4500	381	CL 63_BTL SP	10370501
Stainless Steel Top Plate/Stainless Steel Base Chain								
SS1874TAB GRIP SS-3.625IN D NEO BK 40	10373894	92.1	3.63	5.60	3400	381	CL 63 SS_KRV UKS BTL SP	10137637
SS1874TAB GRIP SS-3.625IN J EPDM BK 50	10463288	92.1	3.63	5.60	3400	381	CL 63 SS_KRV UKS BTL SP	10137637

Standard length: 3.048 m – 10 feet (160 links).

For steel and plastic sideliflexing chains Rexnord offers the corresponding curve profiles. Without a doubt Magnetflex® is worldwide seen as the superior curve system. The programme also includes curves and straight tracks for Bevel and TAB chains.

Magnetflex® System

The Rexnord Magnetflex system has become the worldwide standard in the beverage industry. The great advantages of this system have made it the choice of the worlds leading OEMs. It is a Combi system for both plastic and steel chains. Magnets underneath the track hold the chain down in a reliable way. Magnetflex is the only system where two magnets cover almost the complete base of the curve instead of just the track. Because the magnets are connected by a steel plate, a very broad magnetic field is being formed.

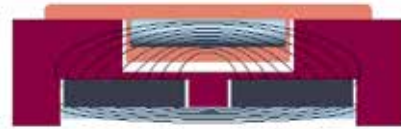
Unlike other magnetic curves this results in a force that keeps down plastic chains with steel pins just as well as steel chains. Another advantage is that this magnet position only has a slight reduction in hold-down force when the chain is being lifted, in case of pollution or broken glass, without jumping from the track. Where in other systems the chains can block and jam in the curve profile due to pollution, in the Magnetflex system the chain simply lifts slightly and keeps on running. The magnets are placed in the curve at fixed angles instead of at fixed distances to make sure that no pulsation effect is being created by the magnets, when a chain is being pulled through the curve.

The magnets make sure that all chains lie perfectly flat in the curve without tilting. In other systems the chain tension is causing the chain to use up the play in the chain guidance, causing chain edges to lift. Especially in multiple-strand curves and with high-speed conveying this means product toppling.

Another big advantage of the Magnetflex® system is the easy installation of the chains and the perfect cleanability of the system. This is due to the open and rectangular track in the curve. The chains can easily be installed from above as if the curve was a straight part of the conveyor. Also the chains can easily be lifted from the track for maintenance and cleaning, without breaking the chain or even removing it from the conveyor construction.

Magnetflex® curves can be installed in the conveyor frame in different ways. The upper and return part can be supplied bolted together and with inserts to mount the assembled curve into the conveyor frame. The option most often used in multiple track curves is to deliver the upper and return part separately. They are then mounted against a conveyor crossbar. In this case both upper part and return part are equipped with inserts and/or holes. In both build-in options the hole and inserts can be standard or customer specific.

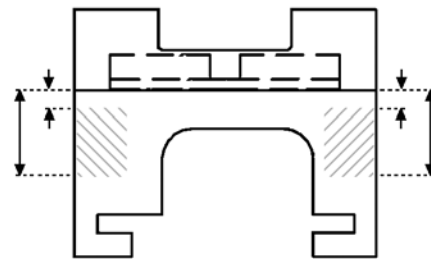
Most Magnetflex® curves are equipped with a return guide shoe. This machined shoe is meant to bring the chain at the right level to enter the return part of the curve. The position of the return guide shoe is determined by the design of the return part (level or staggered) and by the chain type. A staggered design is used when the pitch between the tracks is too small to allow the chains to run at the same level in the return. In that case two levels of tracks are made in the return part: one level in which the uneven tracks (1, 3, 5 etc.) run and one in which the even tracks run. The height of a staggered return part (usually 63 mm) is always higher than that of a non-staggered return (usually 55 mm).



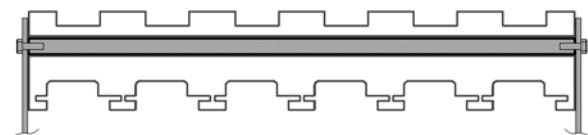
Magnetflex® curve with 2 magnets for better hold-down of the chain



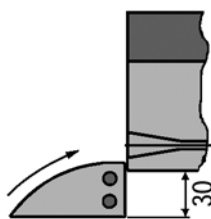
Usual magnetic curve with only 1 magnet



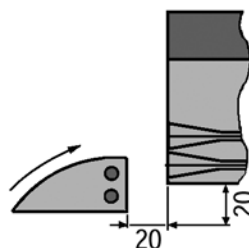
Upper and return part bolted together



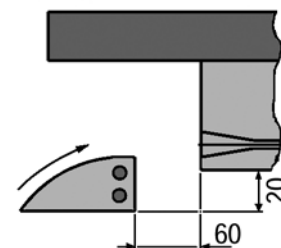
Upper and return part mounted against a cross bar



Return part at same level



Staggered return part



Chainbelts

A special execution of a Magnetflex® curve is a CIP (Cleaning in Place) curve, equipped with spraying nozzles and tubes. It is opened up as much as possible to allow good cleaning of the steel or plastic chain and curve profile from the inside of the curve. The CIP curve can be integrated in an existing CIP system.

Magnetflex® curves are available in five different materials. The standard material, Combi-A, is a high grade of polyethylene. It is suitable for most lubricated applications with steel and plastic chains. In clean environment and with low chain speeds Combi-A can also be used in dry running applications. For dry running applications with plastic TableTop chains Combi-L and Combi-S are recommended. These materials are able to work with higher chain speeds. Combi-S has the largest application field, where Combi-L offers better noise reduction. Rexnord's calculation program determines the PV (pressure-velocity) load on the curve in a specific application and will advise in which application load and speed require Combi-L or Combi-S curves. For lubricated, abrasive applications (filler discharge) or abrasive, dry running applications (glassworks) with (stainless) steel chains, Combi-G is most suitable. This ceramic reinforced polyethylene offers an extremely good wear resistance. New Generation Combi-X curves can be applied in high speed (dry running) applications.



Application

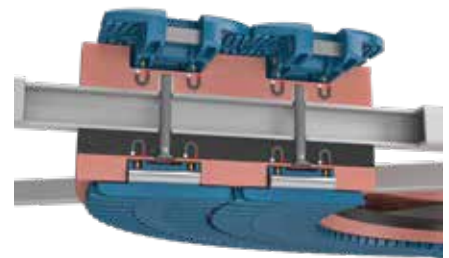
Curve Material	Lubricated, clean, stainless steel chains, plastic chains	Lubricated, abrasive, stainless steel chains	Lubricated, abrasive, plastic chains	Dry running, low speed, abrasive, steel chains	Dry running, low speed, clean, plastic chains	Dry running, high speed, clean, plastic chains	Dry running, abrasive, plastic chains
Combi-X	Best choice	Optional	Best choice		Best choice		Best choice
Combi-A	Best choice				Best choice		
Combi-S				Optional		Optional	Best choice
Combi-G		Best choice		Best choice			

Optional
Best choice

Magnetflex® Combi-X New Generation

Non Marking Tubular Returnpart

With today's high speed conveyor applications and sometimes also abrasive conditions, it is required that the chain surface remains in optimum condition to avoid any unwanted product handling issues. Therefore Rexnord has developed a special Non Marking return section to be combined with the standard Magnetflex® upper part. This new returnpart features a Stainless Steel tubular return which reduces abrasive wear of the chain topsurface. The result is that the chain surface will remain in perfect condition over a long period of time, and optimum product handling at high speeds can be achieved.



Magnetic-Return

Tab and Bevel

In many industry segments Tab and Bevel curves and straight tracks are an economic solution if stability of the product conveyed, cleanability and ease of installation are not the key areas of interest. They are available for TableTop®, Multiflex and Plate Top chains. Tab and Bevel machined profiles retain the chains in a mechanical way. For these tracks a high grade, wear resistant polyethylene is used.



Combi-X Corner Track

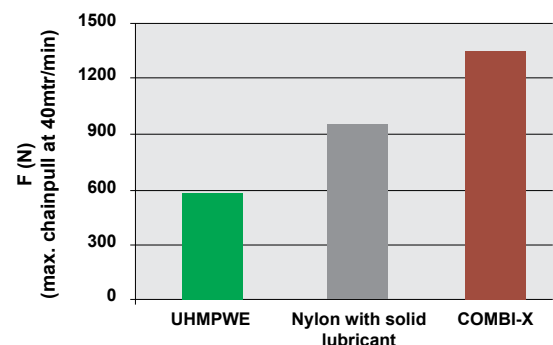
High PV-limit

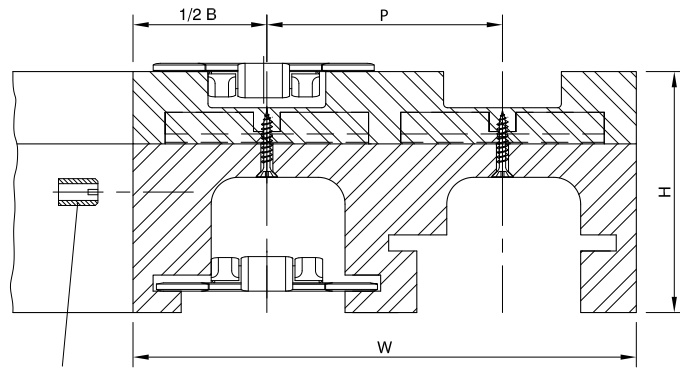
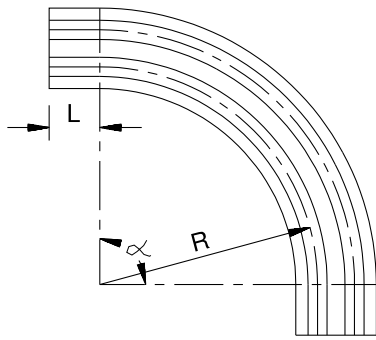
The Magnetflex® Combi-X has improved PV-properties with respect to the original Rexnord Nylatron curve material. This means the curves can be applied in high speed (dry running) applications.

Customized curves

If these standard versions do not meet specific conveyor needs, it is possible to order customized versions. Both standard and customer specific curves can be supplied in just several working days.

PV-Limit





Selection Tables

Select your curve by reading the tables from left to right. You'll find more information on the specified pages.

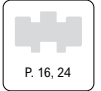
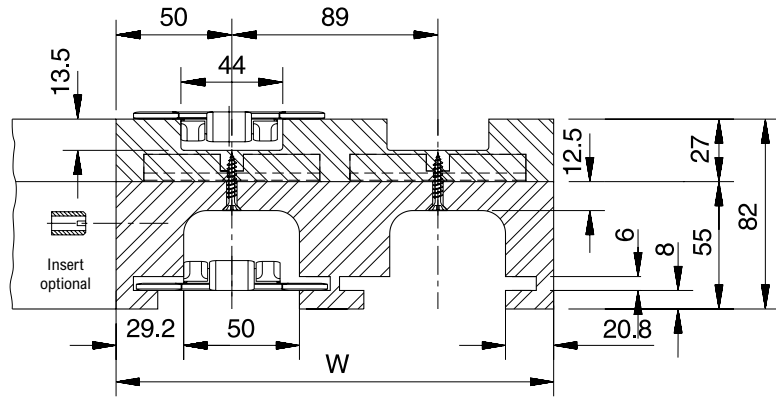
For Chain Type (s)	Radius	Pitch	Basic Width	Infeed Length	Total Height	Version Number	See Page
	R	P	B	L	H		
	mm	mm	mm	mm	mm		
For Chains With 3.25"/3.30" Plate Width							
Steel/Plastic	500	85	100	0	82 / 89	C7-CX7	109
				100	90	C6-CX6	108
			111	90	C4	106	
		90	100	90	C14	110	
			125	82	C1	103	
			100	82	C2	103	
	590	180	100	100	82	C3	106
			110	0	82	C5B	on request
		-	100	100	82	C5A	107
			111	100	90	C42	110
			100	125	82	C5C	107
			100	0	82	C5D	on request
1000	85	111	100	90	C43	112	
Cip-Curve for Chains With 3.25" Plate Width for Chains with 4.50" Plate Width							
661 steel	500	85	100	100	82	CF6	110
Steel	500	85	111	100	100	CIP4	107
Steel/plastic	500	120	129	125	90	C21A	111
	610	120	129	125	90	C22A	111
For Chains with 7.50" Plate Width							
Steel	610	196	214	125	90	C61	113
	860	-	214	0	82	C66	112
	1000	-	214	0	82	C65	112
Steel / HDFM 750 (SG)	610	195	200	100	95	C81	115
	860	-	214	0	87	C86	115
For Chains with 10.00" Plate Width							
HDFM 1000 (SG)	860	-	290	0	87	C91	116
For Chains with 12.00" Plate Width							
HDFM 1200 (SG)	860	-	340	0	87	C96	116
For LBP Chains							
RHMD 325 LBP	500	90	100	100	90	LBP2	117
HDFM 750 LBP	860	-	214	0	95	LBP861	117
HDFM 1000 LBP	860	-	290	0	95	LBP91	118
HDFM 1200 LBP	860	-	340	0	95	LBP96	118
For Chainbelts							
FGM/FTM 1040/1060	500	85	100	100	90	CB6-CXB6	119
FTM 1055 K330	500	85	100	100	90	CC6-CXC6	120
FTM 1055 K450	500	120	129	125	90	CC21	121

All these Magnetflex curves include a return guide shoe, except C7. Inserts are optional; M8 or M10 inserts in the return part and M6 or M8 inserts in the guide shoe can be supplied according your detailed drawing. If you need a special Magnetflex curve, following parameters are necessary:

1. Basic width
2. Radius
3. Infeed length
4. Pitch
5. Angle
6. Number of tracks

For tab and bevel curves see page 120-125.

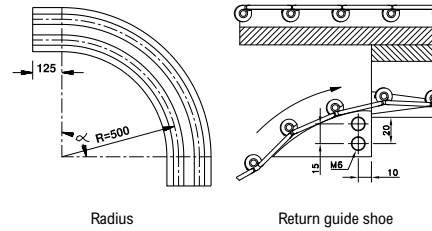
Magnetflex Combi-A Version C1



Number of Tracks	1	2	3	4	5	6
Width W	100 mm	189 mm	278 mm	367 mm	456 mm	545 mm

Version C1

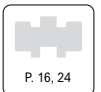
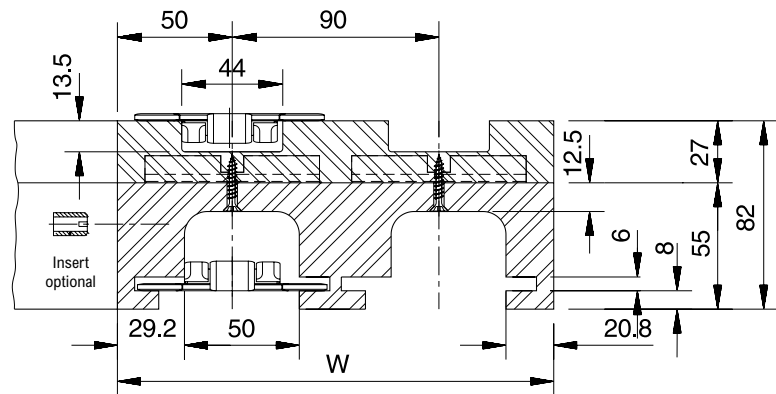
15°	704.05.16	704.05.17	704.05.18	704.05.19	704.05.20	704.05.21
30°	704.05.31	704.05.32	704.05.33	704.05.34	704.05.35	704.05.36
45°	704.05.46	704.05.47	704.05.48	704.05.49	704.05.50	704.05.51
60°	704.05.61	704.05.62	704.05.63	704.05.64	704.05.65	704.05.66
75°	704.05.76	704.05.77	704.05.78	704.05.79	704.05.80	704.05.81
90°	704.05.01	704.05.02	704.05.03	704.05.04	704.05.05	704.05.06



More than 6 tracks on request.

- For steel chains: 10/60/66 M 31 M, 60/66 M 31 XM, 66 M 31 RM, 60/66 M 84 XM.
- For plastic chains: RHMP 325, RHMDP 325, RHMP 84.

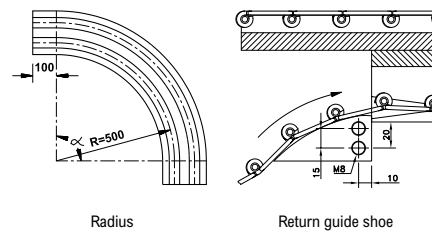
Magnetflex Combi-A Version C2



Number of Tracks	1	2	3	4	5	6
Width W	100 mm	190 mm	280 mm	370 mm	460 mm	550 mm

Version C2

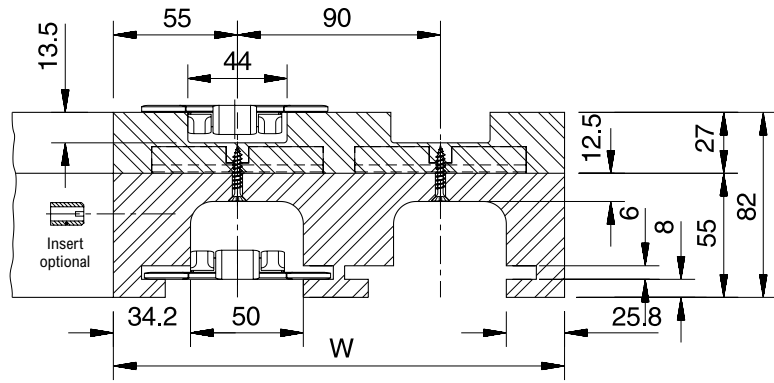
15°	704.06.16	704.06.17	704.06.18	704.06.19	704.06.20	704.06.21
30°	704.06.31	704.06.32	704.06.33	704.06.34	704.06.35	704.06.36
45°	704.06.46	704.06.47	704.06.48	704.06.49	704.06.50	704.06.51
60°	704.06.61	704.06.62	704.06.63	704.06.64	704.06.65	704.06.66
75°	704.06.76	704.06.77	704.06.78	704.06.79	704.06.80	704.06.81
90°	704.06.01	704.06.02	704.06.03	704.06.04	704.06.05	704.06.06



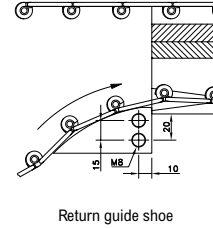
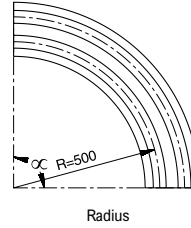
More than 6 tracks on request.

- For steel chains: 10/60/66 M 31 M, 60/66 M 31 XM, 66 M 31 RM, 60/66 M 84 XM.
- For plastic chains: RHMP 325, RHMDP 325, RHMP 84.

Magnetflex Combi-A Version C3



Number of Tracks	1	2	3	4	5	6
Width W	110 mm	200 mm	290 mm	380 mm	470 mm	560 mm
Version C3						
15°	704.07.16	704.07.17	704.07.18	704.07.19	704.07.20	704.07.21
30°	704.07.31	704.07.32	704.07.33	704.07.34	704.07.35	704.07.36
45°	704.07.46	704.07.47	704.07.48	704.07.49	704.07.50	704.07.51
60°	704.07.61	704.07.62	704.07.63	704.07.64	704.07.65	704.07.66
75°	704.07.76	704.07.77	704.07.78	704.07.79	704.07.80	704.07.81
90°	704.07.01	704.07.02	704.07.03	704.07.04	704.07.05	704.07.06



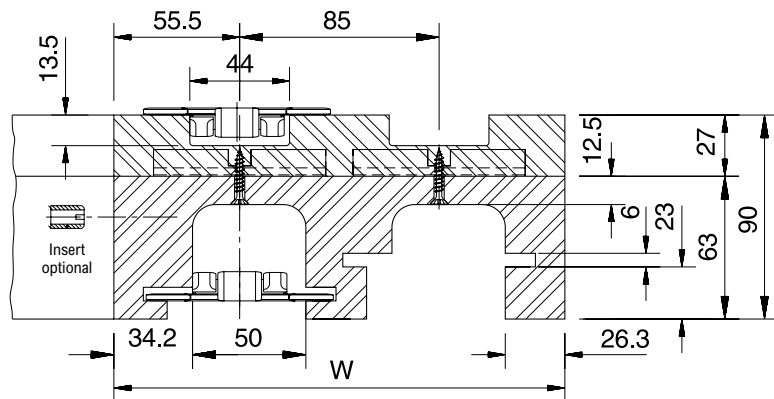
Radius

Return guide shoe

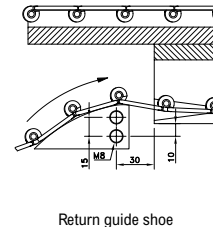
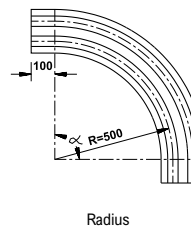
More than 6 tracks on request.

- For steel chains: 10/60/66 M 31 M, 60/66 M 31 XM, 66 M 31 RM, 60/66 M 84 XM.
- For plastic chains: RHMP 325, RHMDP 325, RHMP 84.

Magnetflex Combi-A Version C4



Number of Tracks	1	2	3	4	5	6
Width W	111 mm	196 mm	281 mm	366 mm	451 mm	536 mm
Version C4						
15°	704.08.16	704.08.17	704.08.18	704.08.19	704.08.20	704.08.21
30°	704.08.31	704.08.32	704.08.33	704.08.34	704.08.35	704.08.36
45°	704.08.46	704.08.47	704.08.48	704.08.49	704.08.50	704.08.51
60°	704.08.61	704.08.62	704.08.63	704.08.64	704.08.65	704.08.66
75°	704.08.76	704.08.77	704.08.78	704.08.79	704.08.80	704.08.81
90°	704.08.01	704.08.02	704.08.03	704.08.04	704.08.05	704.08.06



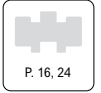
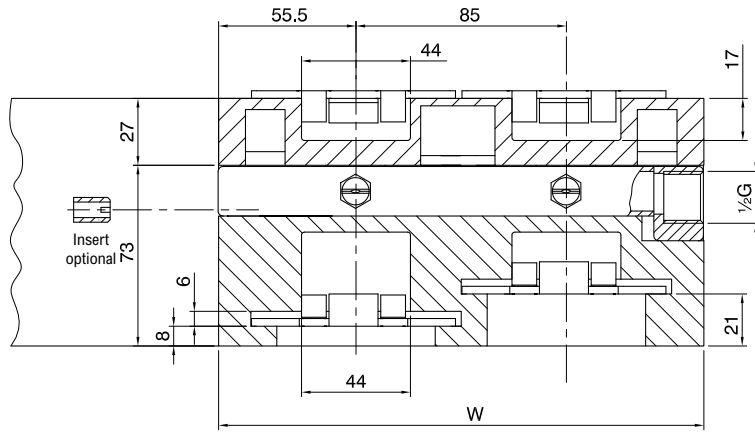
Radius

Return guide shoe

More than 6 tracks on request.

- For steel chains: 10/60/66 M 31 M, 60/66 M 31 XM, 66 M 31 RM, 60/66 M 84 XM.
- For plastic chains: RHMP 325, RHMDP 325, RHMP 84.

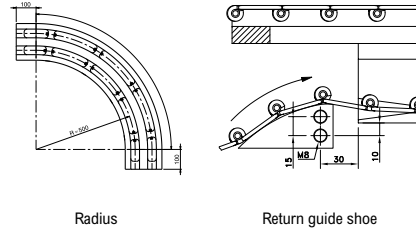
Magnetflex Version CIP4



Number of Tracks	1	2	3	4	5	6
Width W	111 mm	196 mm	281 mm	366 mm	451 mm	536 mm

Version CIP4

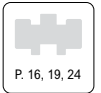
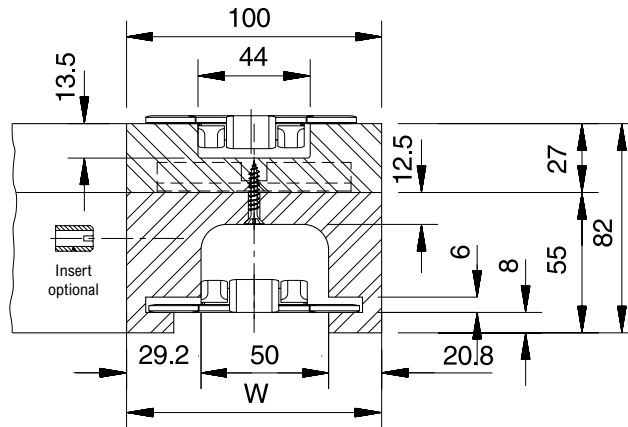
15°	785.45.16	785.45.17	785.45.18	785.45.19	785.45.20	785.45.21
30°	785.45.31	785.45.32	785.45.33	785.45.34	785.45.35	785.45.36
45°	785.45.46	785.45.47	785.45.48	785.45.49	785.45.50	785.45.51
60°	785.45.61	785.45.62	785.45.63	785.45.64	785.45.65	785.45.66
75°	785.45.76	785.45.77	785.45.78	785.45.79	785.45.80	785.45.81
90°	785.45.01	785.45.02	785.45.03	785.45.04	785.45.05	785.45.06



More than 6 tracks on request.

• For steel chains: 10/60/66 M 31 M, 60/66 M 31 XM, 66 M 31 RM, 60/66 M 84 XM.

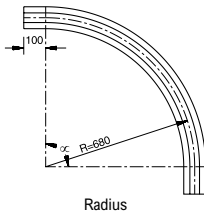
Magnetflex Combi-A Version C5A-C5C



Number of Tracks	1
Width W	100 mm

Version C5A

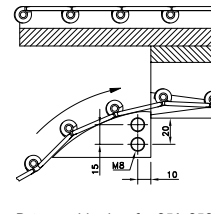
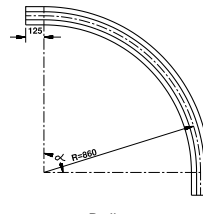
15°	704.09.16
30°	704.09.31
45°	704.09.46
60°	704.09.61
75°	704.09.76
90°	704.09.01



Number of Tracks	1
Width W	100 mm

Version C5C

15°	704.11.16
30°	704.11.31
45°	704.11.46
60°	704.11.61
75°	704.11.76
90°	704.11.01



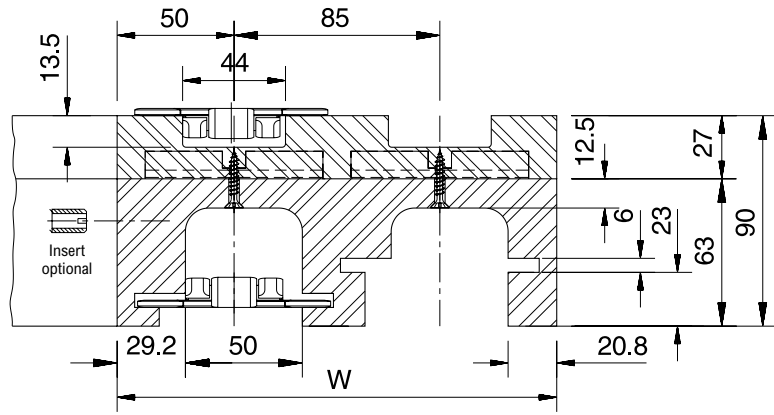
More than 1 track on request.

• For steel chains: 10/60/66 M 31 M, 60/66 M 31 XM, 66 M 31 RM, 60/66 M 84 XM.
• For plastic chains: RHMP 325, RHMDP 325, RHMP 84.

More than 1 track on request.

• For steel chains: 10/60/66 M 31 M, 60/66 M 31 XM, 66 M 31 RM, 60/66 M 84 XM.
• For plastic chains: RHMP 325, RHMDP 325, RHMP 84.

Magnetflex Combi-A Version C6

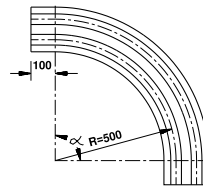


P. 16, 24

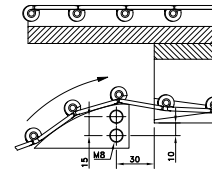


P. 31

Number of Tracks	1	2	3	4	5	6
Width W	100 mm	185 mm	270 mm	355 mm	440 mm	525 mm
Version C6						
15°	704.14.16	704.14.17	704.14.18	704.14.19	704.14.20	704.14.21
30°	704.14.31	704.14.32	704.14.33	704.14.34	704.14.35	704.14.36
45°	704.14.46	704.14.47	704.14.48	704.14.49	704.14.50	704.14.51
60°	704.14.61	704.14.62	704.14.63	704.14.64	704.14.65	704.14.66
75°	704.14.76	704.14.77	704.14.78	704.14.79	704.14.80	704.14.81
90°	704.14.01	704.14.02	704.14.03	704.14.04	704.14.05	704.14.06



Radius

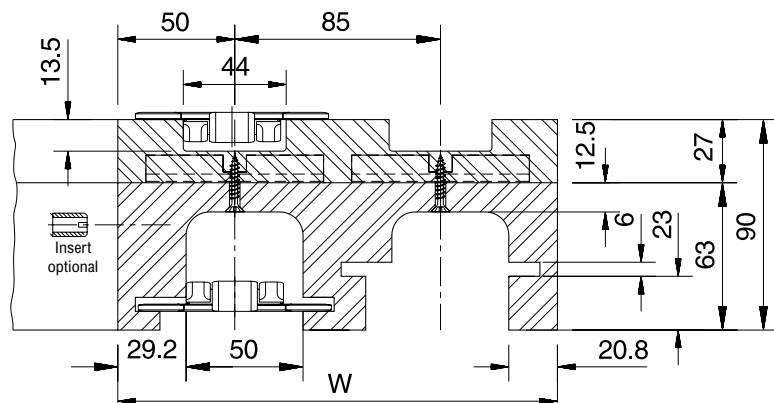
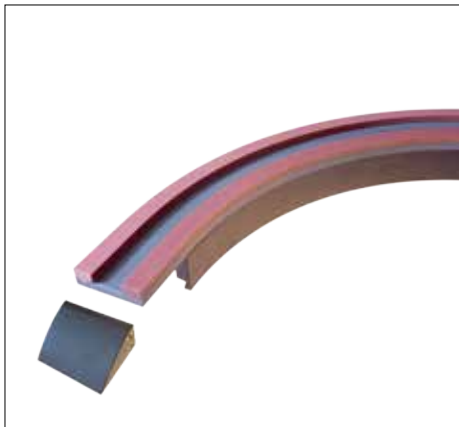


Return guide shoe

More than 6 tracks on request.

- For steel chains: 10/60/66 M 31 M, 60/66 M 31 XM, 66 M 31 RM, 60/66 M 84 XM.
- For plastic chains: RHMP 325, RHMDP 325, RHMP 84.

Magnetflex Combi-X Version CX6

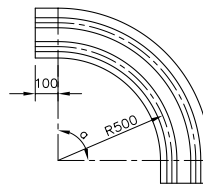


P. 16, 24

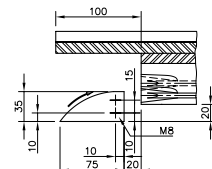


P. 31

Number of Tracks	1	2	3	4	5	6
Width W	100 mm	185 mm	270 mm	355 mm	440 mm	525 mm
Version CX6						
15°	704.41.16	704.41.17	704.41.18	704.41.19	704.41.20	704.41.21
30°	704.41.31	704.41.32	704.41.33	704.41.34	704.41.35	704.41.36
45°	704.41.46	704.41.47	704.41.48	704.41.49	704.41.50	704.41.51
60°	704.41.61	704.41.62	704.41.63	704.41.64	704.41.65	704.41.66
75°	704.41.76	704.41.77	704.41.78	704.41.79	704.41.80	704.41.81
90°	704.41.01	704.41.02	704.41.03	704.41.04	704.41.05	704.41.06



Radius

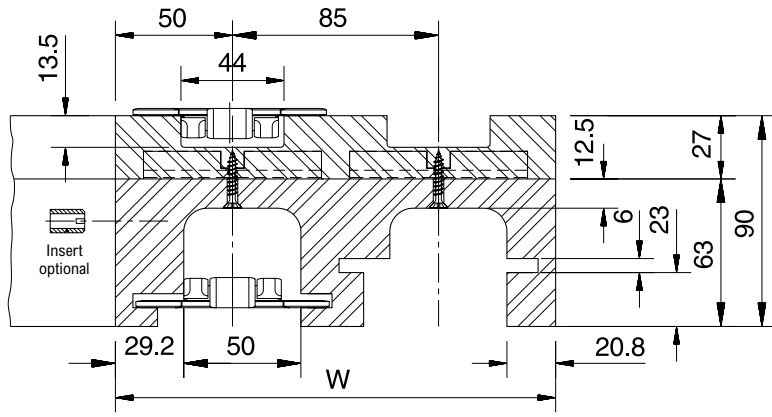


Return guide shoe

More than 6 tracks on request.

- For steel chains: 10/60/66 M 31 M, 60/66 M 31 XM, 66 M 31 RM, 60/66 M 84 XM.
- For plastic chains: RHMP 325, RHMDP 325, RHMP 84.

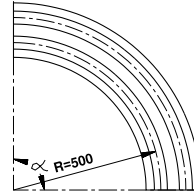
Magnetflex Combi-A Version C7



Number of Tracks	1	2	3	4	5	6
Width W	100 mm	185 mm	270 mm	355 mm	440 mm	525 mm

Version C7

15°	704.15.16	704.15.17	704.15.18	704.15.19	704.15.20	704.15.21
30°	704.15.31	704.15.32	704.15.33	704.15.34	704.15.35	704.15.36
45°	704.15.46	704.15.47	704.15.48	704.15.49	704.15.50	704.15.51
60°	704.15.61	704.15.62	704.15.63	704.15.64	704.15.65	704.15.66
75°	704.15.76	704.15.77	704.15.78	704.15.79	704.15.80	704.15.81
90°	704.15.01	704.15.02	704.15.03	704.15.04	704.15.05	704.15.06

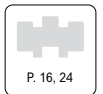
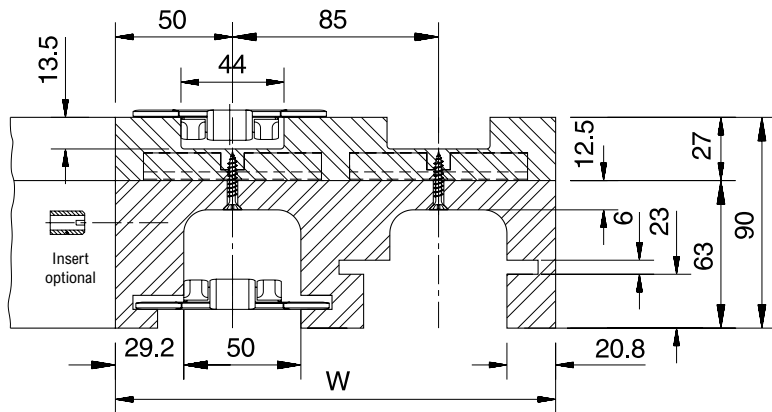


Radius

No return guide shoe

More than 6 tracks on request. The height of the return part is 55 mm in case of a single track C7.
 • For steel chains: 10/60/66 M 31 M, 60/66 M 31 XM, 66 M 31 RM, 60/66 M 84 XM.
 • For plastic chains: RHMP 325, RHMDP 325, RHMP 84.

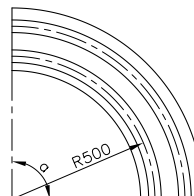
Magnetflex Combi-X Version CX7



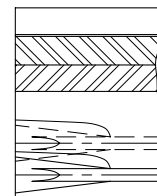
Number of Tracks	1	2	3	4	5	6
Width W	100 mm	185 mm	270 mm	355 mm	440 mm	525 mm

Version CX7

15°	704.42.16	704.42.17	704.42.18	704.42.19	704.42.20	704.42.21
30°	704.42.31	704.42.32	704.42.33	704.42.34	704.42.35	704.42.36
45°	704.42.46	704.42.47	704.42.48	704.42.49	704.42.50	704.42.51
60°	704.42.61	704.42.62	704.42.63	704.42.64	704.42.65	704.42.66
75°	704.42.76	704.42.77	704.42.78	704.42.79	704.42.80	704.42.81
90°	704.42.01	704.42.02	704.42.03	704.42.04	704.42.05	704.42.06



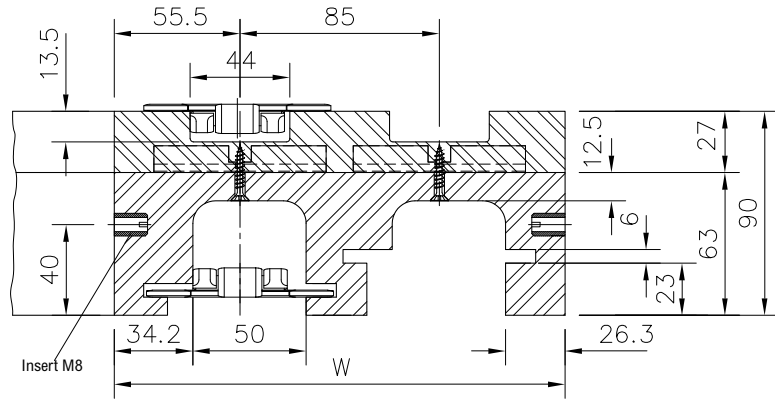
Radius



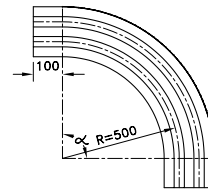
Return guide shoe

More than 6 tracks on request. The height of the return part is 55 mm in case of a single track C7.
 • For steel chains: 10/60/66 M 31 M, 60/66 M 31 XM, 66 M 31 RM, 60/66 M 84 XM.
 • For plastic chains: RHMP 325, RHMDP 325, RHMP 84.

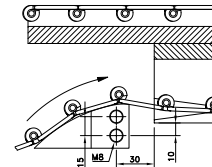
Magnetflex Combi-A Version C14



Number of Tracks	1	2	3	4	5	6
Width W	111 mm	196 mm	281 mm	366 mm	451 mm	536 mm
Version C14						
15°	704.19.16	704.19.17	704.19.18	704.19.19	704.19.20	704.19.21
30°	704.19.31	704.19.32	704.19.33	704.19.34	704.19.35	704.19.36
45°	704.19.46	704.19.47	704.19.48	704.19.49	704.19.50	704.19.51
60°	704.19.61	704.19.62	704.19.63	704.19.64	704.19.65	704.19.66
75°	704.19.76	704.19.77	704.19.78	704.19.79	704.19.80	704.19.81
90°	704.19.01	704.19.02	704.19.03	704.19.04	704.19.05	704.19.06



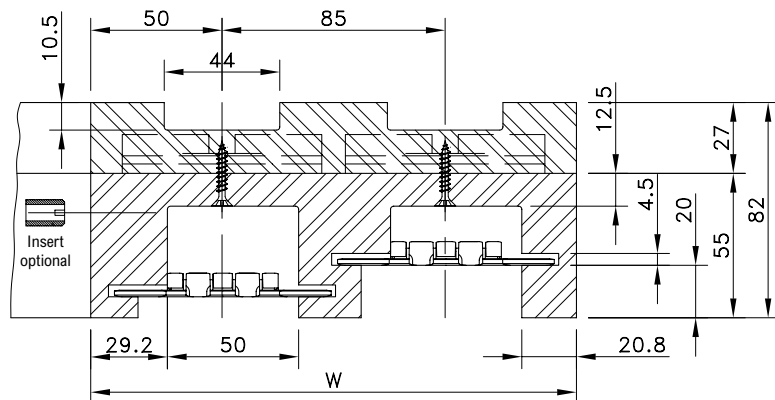
Radius



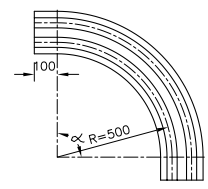
Return guide shoe

More than 6 tracks on request. C14 curves include inserts, of which the pattern varies per angle.
 • For steel chains: 10/60/66 M 31 M, 60/66 M 31 XM, 66 M 31 RM, 60/66 M 84 XM.
 • For plastic chains: RHMP 325, RHMDP 325, RHMP 84.

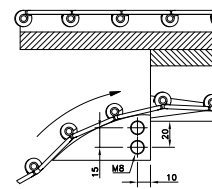
Magnetflex Combi-A Version CF6



Number of Tracks	1	2	3	4	5	6
Width W	100 mm	185 mm	270 mm	355 mm	440 mm	525 mm
Version CF6						
15°	624.38.16	624.38.17	624.38.18	624.38.19	624.38.20	624.38.21
30°	624.38.31	624.38.32	624.38.33	624.38.34	624.38.35	624.38.36
45°	624.38.46	624.38.47	624.38.48	624.38.49	624.38.50	624.38.51
60°	624.38.61	624.38.62	624.38.63	624.38.64	624.38.65	624.38.66
75°	624.38.76	624.38.77	624.38.78	624.38.79	624.38.80	624.38.81
90°	624.38.01	624.38.02	624.38.03	624.38.04	624.38.05	624.38.06



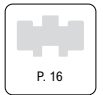
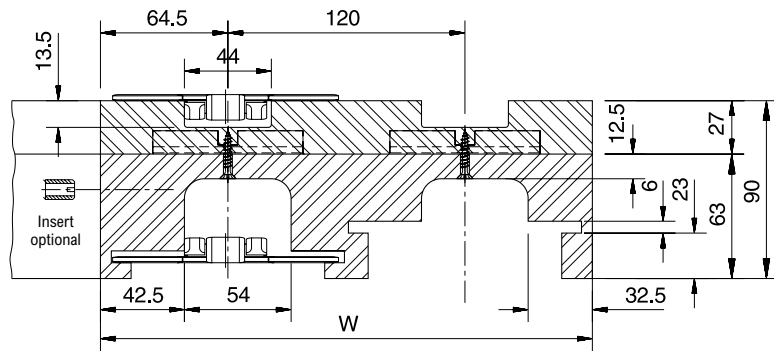
Radius



Return guide shoe

More than 6 tracks on request.
 • Other curves, such as CF4, CF7, CF42 and CF5C can be supplied as well. Please ask Technical Support for all details.
 • For steel chains: 661 M 31 SM, 661 M 84 SM.

Magnetflex Combi-A Version C21A



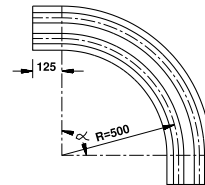
Number of Tracks	1	2	3	4
Width W	129 mm	249 mm	369 mm	489 mm

Version C21A

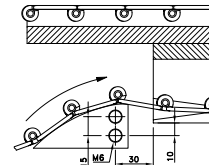
15°	714.08.16	714.08.17	714.08.18	714.08.19
30°	714.08.31	714.08.32	714.08.33	714.08.34
45°	714.08.46	714.08.47	714.08.48	714.08.49
60°	714.08.61	714.08.62	714.08.63	714.08.64
75°	714.08.76	714.08.77	714.08.78	714.08.79
90°	714.08.01	714.08.02	714.08.03	714.08.04

More than 4 tracks on request.

- For steel chains: 10/60 M 42 M.
- For plastic chains: RHM 450, RHMD 450, RHM-4.5IN, RHMD-4.5IN.

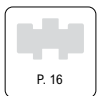
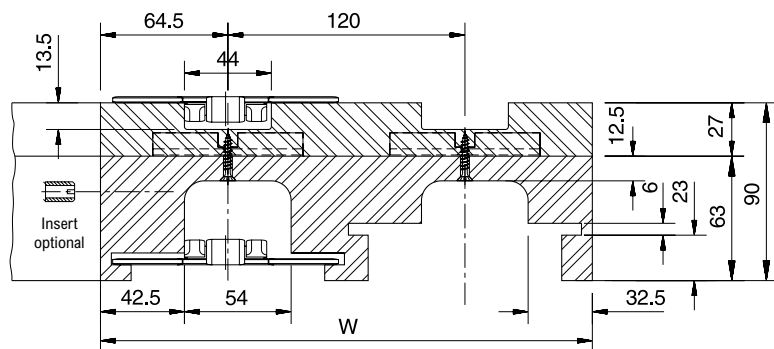


Radius



Return guide shoe

Magnetflex Combi-A Version C22A



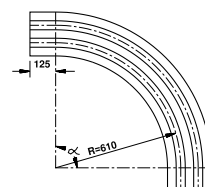
Number of Tracks	1	2	3	4
Width W	129 mm	249 mm	369 mm	489 mm

Version C22A

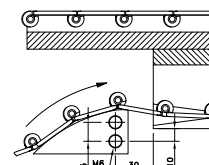
15°	714.09.16	714.09.17	714.09.18	714.09.19
30°	714.09.31	714.09.32	714.09.33	714.09.34
45°	714.09.46	714.09.47	714.09.48	714.09.49
60°	714.09.61	714.09.62	714.09.63	714.09.64
75°	714.09.76	714.09.77	714.09.78	714.09.79
90°	714.09.01	714.09.02	714.09.03	714.09.04

More than 4 tracks on request.

- For steel chains: 10/60 M 42 M.
- For plastic chains: RHM 450, RHMD 450, RHM-4.5IN, RHMD-4.5IN.

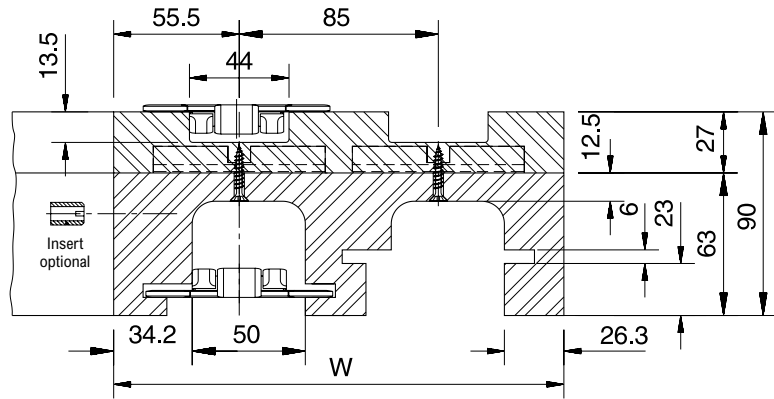


Radius

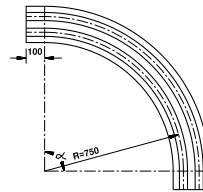


Return guide shoe

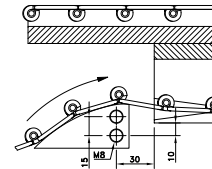
Magnetflex Combi-A Version C42



Number of Tracks	1	2	3	4	5	6
Width W	111 mm	196 mm	281 mm	366 mm	451 mm	536 mm
Version C42						
15°	704.28.16	704.28.17	704.28.18	704.28.19	704.28.20	704.28.21
30°	704.28.31	704.28.32	704.28.33	704.28.34	704.28.35	704.28.36
45°	704.28.46	704.28.47	704.28.48	704.28.49	704.28.50	704.28.51
60°	704.28.61	704.28.62	704.28.63	704.28.64	704.28.65	704.28.66
75°	704.28.76	704.28.77	704.28.78	704.28.79	704.28.80	704.28.81
90°	704.28.01	704.28.02	704.28.03	704.28.04	704.28.05	704.28.06



Radius

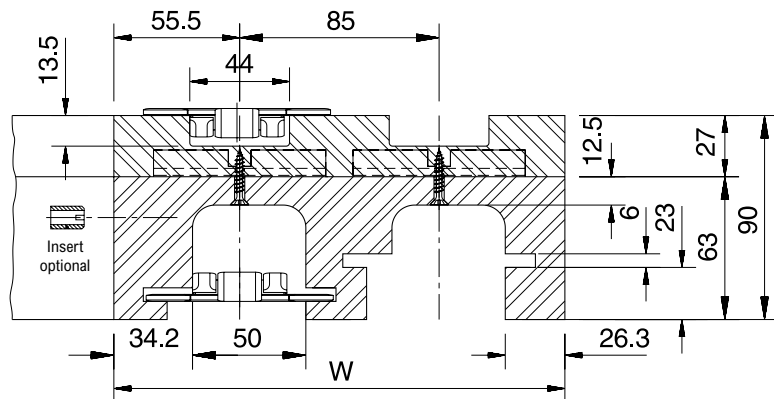


Return guide shoe

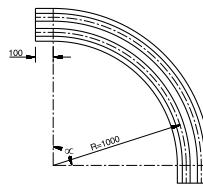
More than 6 tracks on request.

- For steel chains: 10/60/66 M 31 M, 60/66 M 31 XM, 66 M 31 RM, 60/66 M 84 XM.
- For plastic chains: RHMP 325, RHMDP 325, RHMP 84, RHMP-3.25IN, RHMDP-3.25IN.

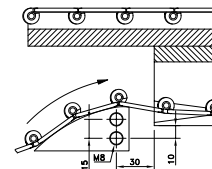
Magnetflex Combi-A Version C43



Number of Tracks	1	2	3	4	5	6
Width W	111 mm	196 mm	281 mm	366 mm	451 mm	536 mm
Version C43						
15°	704.29.16	704.29.17	704.29.18	704.29.19	704.29.20	704.29.21
30°	704.29.31	704.29.32	704.29.33	704.29.34	704.29.35	704.29.36
45°	704.29.46	704.29.47	704.29.48	704.29.49	704.29.50	704.29.51
60°	704.29.61	704.29.62	704.29.63	704.29.64	704.29.65	704.29.66
75°	704.29.76	704.29.77	704.29.78	704.29.79	704.29.80	704.29.81
90°	704.29.01	704.29.02	704.29.03	704.29.04	704.29.05	704.29.06



Radius

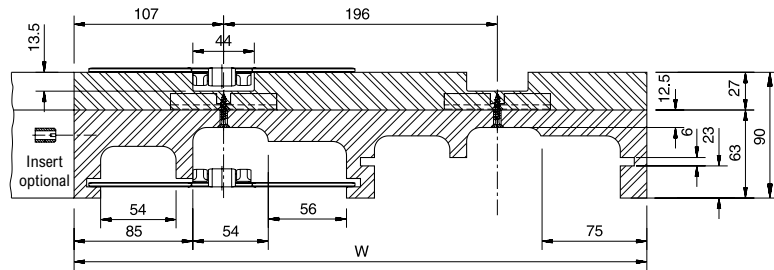


Return guide shoe

More than 6 tracks on request.

- For steel chains: 10/60/66 M 31 M, 60/66 M 31 XM, 66 M 31 RM, 60/66 M 84 XM, SSC 581 M-K325.
- For plastic chains: RHMP 325, RHMDP 325, RHMP 84, RHMP-3.25IN, RHMDP-3.25IN.

Magnetflex Combi-A Version C61



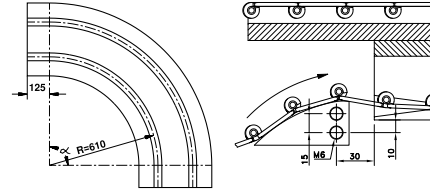
Number of Tracks	1	2	3	4
Width W	214 mm	410 mm	606 mm	802 mm

Version C61

15°	724.05.16	724.05.17	724.05.18	724.05.19
30°	724.05.31	724.05.32	724.05.33	724.05.34
45°	724.05.46	724.05.47	724.05.48	724.05.49
60°	724.05.61	724.05.62	724.05.63	724.05.64
75°	724.05.76	724.05.77	724.05.78	724.05.79
90°	724.05.01	724.05.02	724.05.03	724.05.04

More than 4 tracks on request.

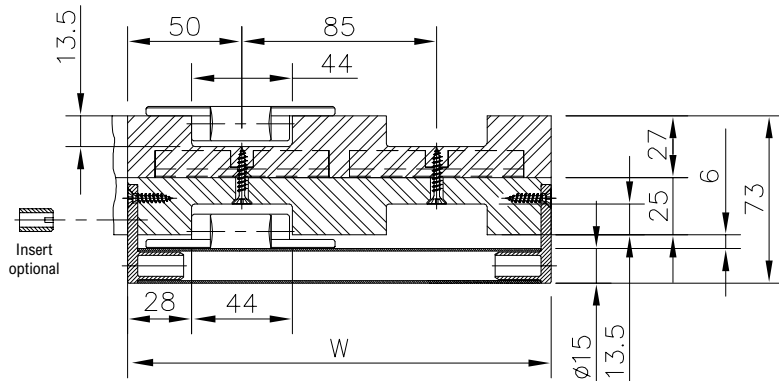
• For steel chains: 10/60/66 M 72 M, 66 M 72 RM.



Radius

Return guide shoe

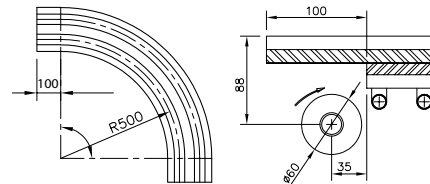
Magnetflex Combi-A Version C6T



Number of Tracks	1	2	3	4	5	6
Width W	100 mm	185 mm	270 mm	355 mm	340 mm	525 mm

Version C6T

15°	704.32.16	704.32.17	704.32.18	704.32.19	704.32.20	704.32.21
30°	704.32.31	704.32.32	704.32.33	704.32.34	704.32.35	704.32.36
45°	704.32.46	704.32.47	704.32.48	704.32.49	704.32.50	704.32.51
60°	704.32.61	704.32.62	704.32.63	704.32.64	704.32.65	704.32.66
75°	704.32.76	704.32.77	704.32.78	704.32.79	704.32.80	704.32.81
90°	704.32.01	704.32.02	704.32.03	704.32.04	704.32.05	704.32.06



Radius

Optional Infeed Roller

More than 6 tracks on request.

• For plastic chains: RHMP 325, RHMDP 325, RHMP 84, RHMP-3.25IN, RHMDP-3.25IN.

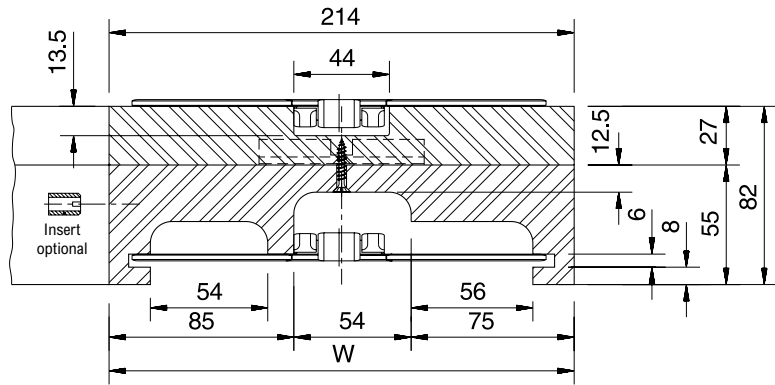
• Not suitable for steel chains.

Also available in the following executions:

• COMBI A VERSION CB6T suitable for: 1040 FGM, FGM 1050 and FTM 1060 chainbelts.

• COMBI A VERSION CC6T suitable for: FTM 1055 chainbelts.

Magnetflex Combi-A Version C65

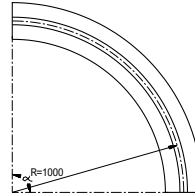


Number of Tracks	1
Width W	214 mm

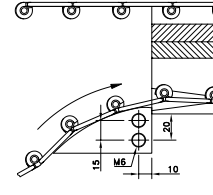
Version C65	
15°	724.07.16
30°	724.07.31
45°	724.07.46
60°	724.07.61
75°	724.07.76
90°	724.07.01

More than 1 track on request.

• For steel chains: 10/60/66 M 72 M, 66 M 72 RM.

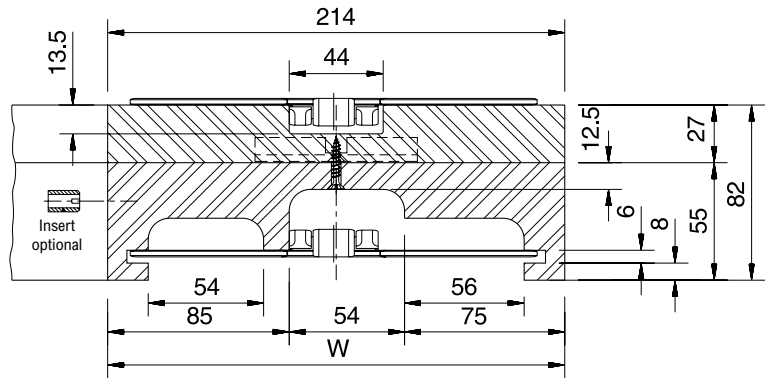


Radius



Return guide shoe

Magnetflex Combi-A Version C66

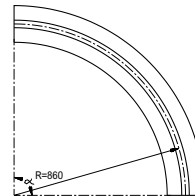


Number of Tracks	1
Width W	214 mm

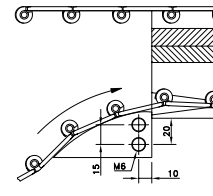
Version C66	
15°	724.11.16
30°	724.11.31
45°	724.11.46
60°	724.11.61
75°	724.11.76
90°	724.11.01

More than 1 track on request.

• For steel chains: 10/60/66 M 72 M, 66 M 72 RM.

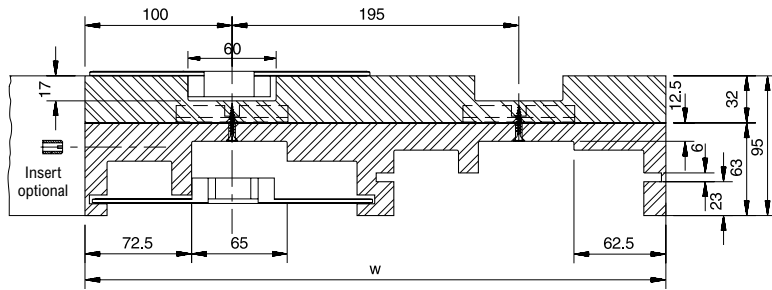


Radius



Return guide shoe

Magnetflex Combi-A Version C81



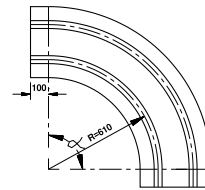
Number of Tracks	1	2	3	4
Width W	200 mm	395 mm	590 mm	785 mm

Version C81

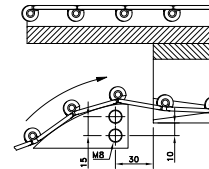
15°	724.31.16	724.31.17	724.31.18	724.31.19
30°	724.31.31	724.31.32	724.31.33	724.31.34
45°	724.31.46	724.31.47	724.31.48	724.31.49
60°	724.31.61	724.31.62	724.31.63	724.31.64
75°	724.31.76	724.31.77	724.31.78	724.31.79
90°	724.31.01	724.31.02	724.31.03	724.31.04

More than 4 tracks on request.

• For plastic chains: HDFM 750 LF/SG.

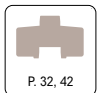
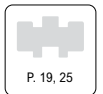
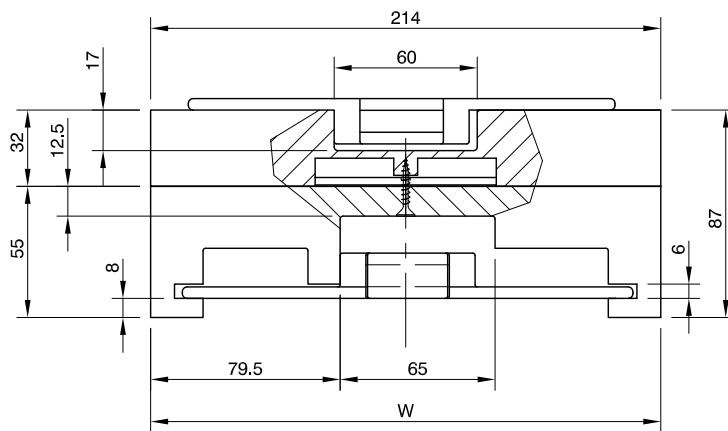


Radius



Return guide shoe

Magnetflex Combi-A Version C86



Number of Tracks	1
Width W	214 mm

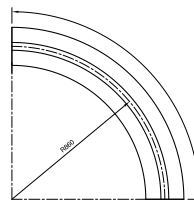
Version C86

15°	724.36.16
30°	724.36.31
45°	724.36.46
60°	724.36.61
75°	724.36.76
90°	724.36.01

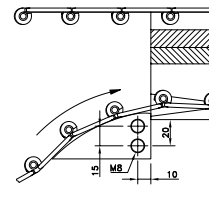
More than 1 track on request.

• For steel chains: 60/66 M 75 M, 66 M 75 RM.

• For plastic chains: HDFM 750 LF/SG.

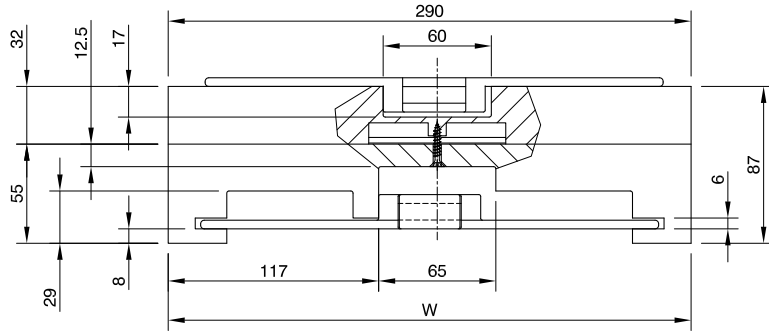
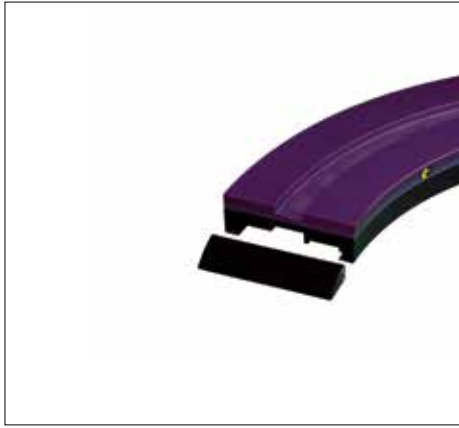


Radius



Return guide shoe

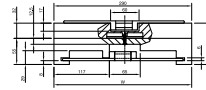
Magnetflex Combi-A Version C91



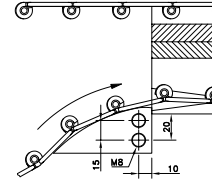
Number of Tracks	1
Width W	290 mm

Version C91	
15°	724.42.16
30°	724.42.31
45°	724.42.46
60°	724.42.61
75°	724.42.76
90°	724.42.01

More than 1 track on request.
 • For plastic chains: HDFM 1000 LF/SG.

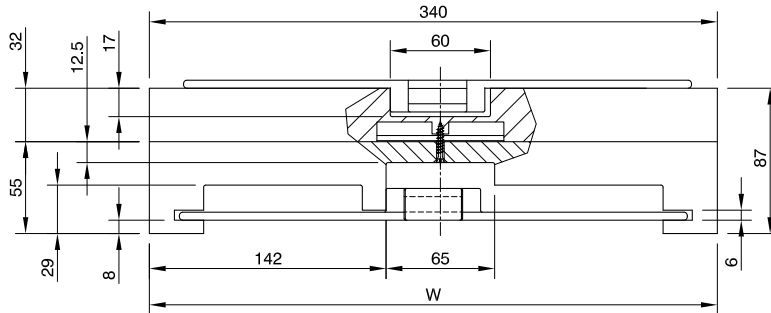


Radius



Return guide shoe

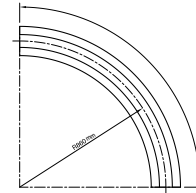
Magnetflex Combi-A Version C96



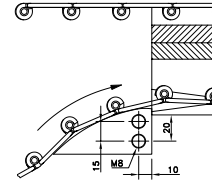
Number of Tracks	1
Width W	340 mm

Version C96	
15°	724.44.16
30°	724.44.31
45°	724.44.46
60°	724.44.61
75°	724.44.76
90°	724.44.01

More than 1 track on request.
 • For plastic chains: HDFM 1200 LF/SG.

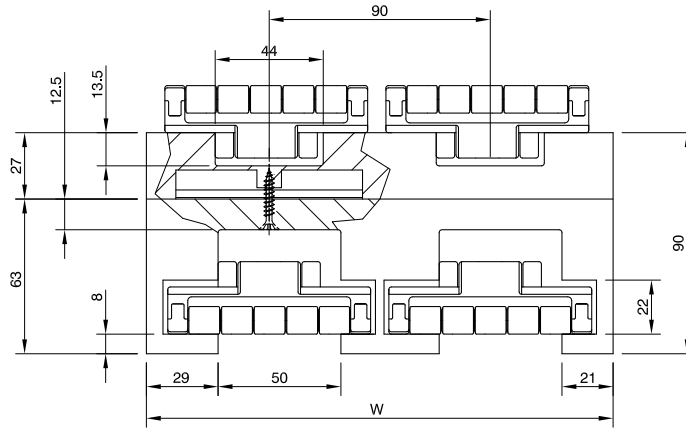


Radius
R = 860



Return guide shoe

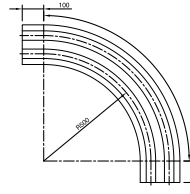
Magnetflex Combi-A Version LBP2



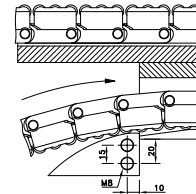
Number of Tracks	1	2	3	4	5	6
Width W	100 mm	190 mm	280 mm	370 mm	460 mm	550 mm

Version LBP2

15°	704.34.16	704.34.17	704.34.18	704.34.19	704.34.20	704.34.21
30°	704.34.31	704.34.32	704.34.33	704.34.34	704.34.35	704.34.36
45°	704.34.46	704.34.47	704.34.48	704.34.49	704.34.50	704.34.51
60°	704.34.61	704.34.62	704.34.63	704.34.64	704.34.65	704.34.66
75°	704.34.76	704.34.77	704.34.78	704.34.79	704.34.80	704.34.81
90°	704.34.01	704.34.02	704.34.03	704.34.04	704.34.05	704.34.06



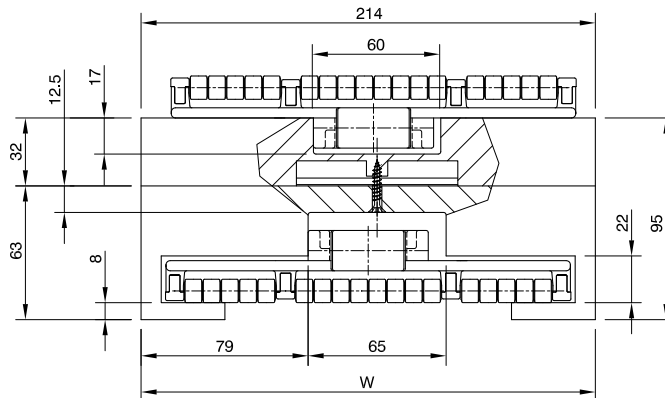
Radius



Return guide shoe

More than 6 tracks on request.
• For plastic chains: RHMD 325 LBP.

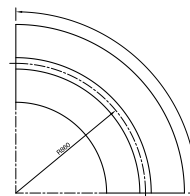
Magnetflex Combi-A Version LBP861



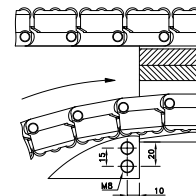
Number of Tracks	1
Width W	214 mm

Version LBP861

15°	724.47.16
30°	724.47.31
45°	724.47.46
60°	724.47.61
75°	724.47.76
90°	724.47.01



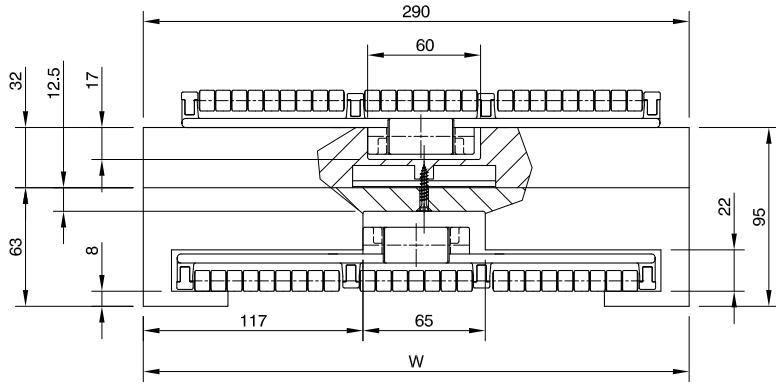
Radius



Return guide shoe

More than 1 track on request.
• For plastic chains: HDFM 750 LBP.

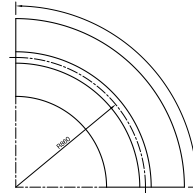
Magnetflex Combi-A Version LBP91



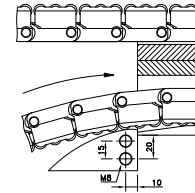
Number of Tracks	1
Width W	290 mm

Version LBP91	
15°	724.45.16
30°	724.45.31
45°	724.45.46
60°	724.45.61
75°	724.45.76
90°	724.45.01

More than 1 track on request.
 • For plastic chains: HDFM 1000 LBP.

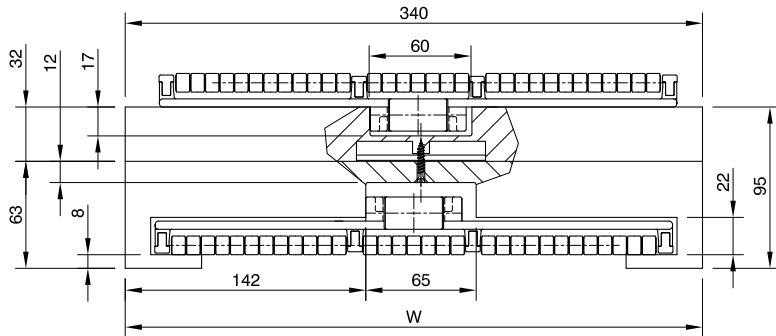


Radius



Return guide shoe

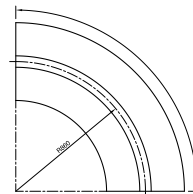
Magnetflex Combi-A Version LBP96



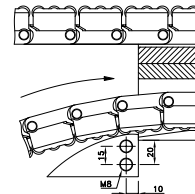
Number of Tracks	1
Width W	340 mm

Version LBP96	
15°	724.46.16
30°	724.46.31
45°	724.46.46
60°	724.46.61
75°	724.46.76
90°	724.46.01

More than 1 track on request.
 • For plastic chains: HDFM 1200 LBP.

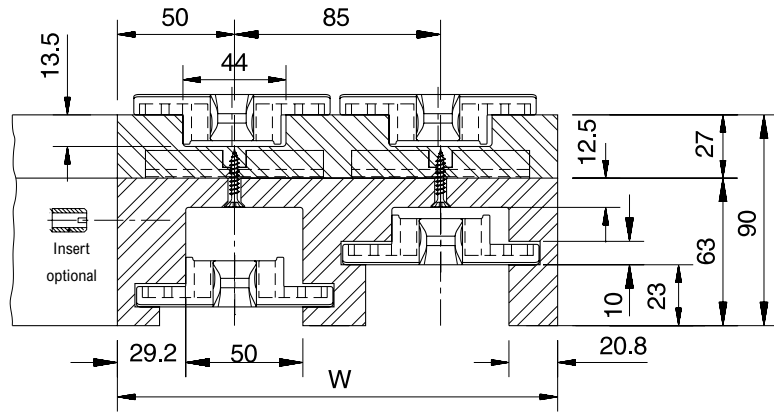


Radius

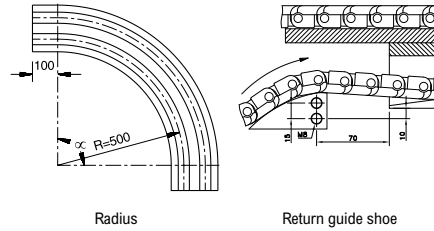


Return guide shoe

Magnetflex Combi-A Version CB6



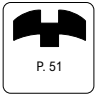
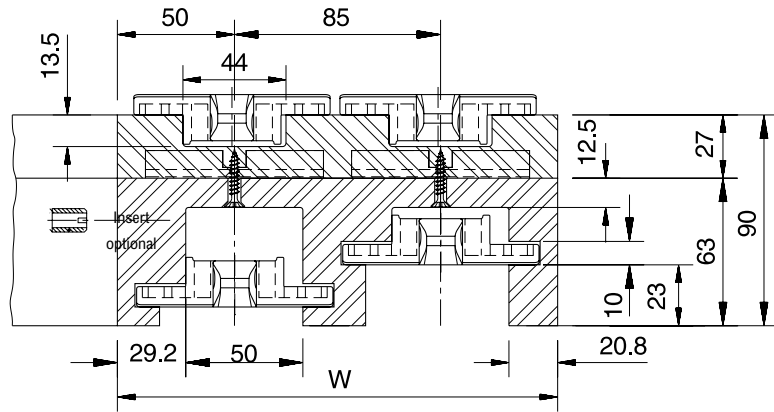
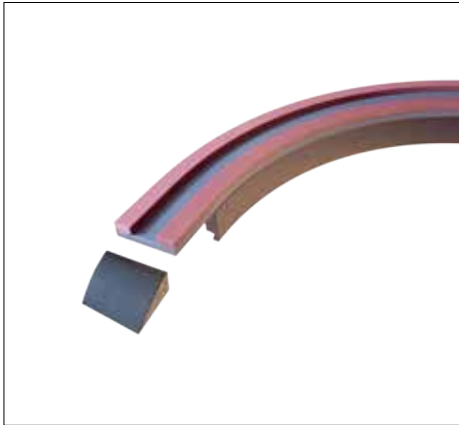
Number of Tracks	1	2	3	4	5	6
Width W	100 mm	185 mm	270 mm	355 mm	440 mm	525 mm
Version CB6						
15°	604.14.16	604.14.17	604.14.18	604.14.19	604.14.20	604.14.21
30°	604.14.31	604.14.32	604.14.33	604.14.34	604.14.35	604.14.36
45°	604.14.46	604.14.47	604.14.48	604.14.49	604.14.50	604.14.51
60°	604.14.61	604.14.62	604.14.63	604.14.64	604.14.65	604.14.66
75°	604.14.76	604.14.77	604.14.78	604.14.79	604.14.80	604.14.81
90°	604.14.01	604.14.02	604.14.03	604.14.04	604.14.05	604.14.06



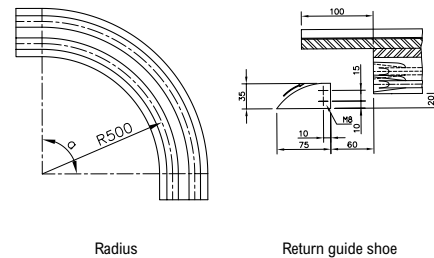
More than 6 tracks on request.

• For plastic chains: FGM 1050, FTM 1060, FGM 1040, FTM 1040.

Magnetflex Combi-X Version CXB6



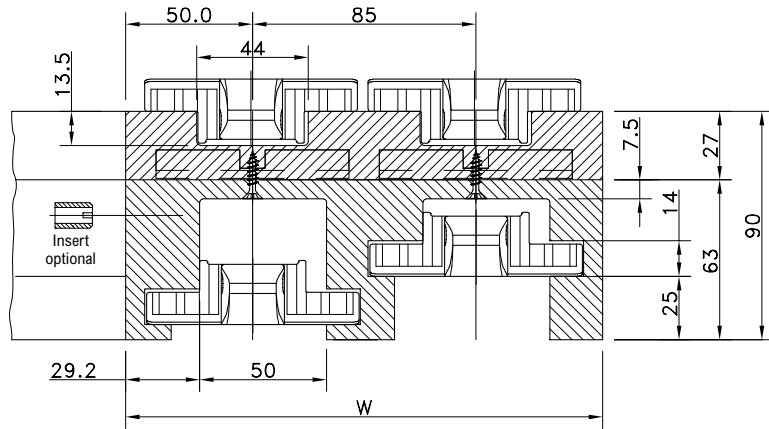
Number of Tracks	1	2	3	4	5	6
Width W	100 mm	185 mm	270 mm	355 mm	440 mm	525 mm
Version CXB6						
15°	604.41.16	604.41.17	604.41.18	604.41.19	604.41.20	604.41.21
30°	604.41.31	604.41.32	604.41.33	604.41.34	604.41.35	604.41.36
45°	604.41.46	604.41.47	604.41.48	604.41.49	604.41.50	604.41.51
60°	604.41.61	604.41.62	604.41.63	604.41.64	604.41.65	604.41.66
75°	604.41.76	604.41.77	604.41.78	604.41.79	604.41.80	604.41.81
90°	604.41.01	604.41.02	604.41.03	604.41.04	604.41.05	604.41.06



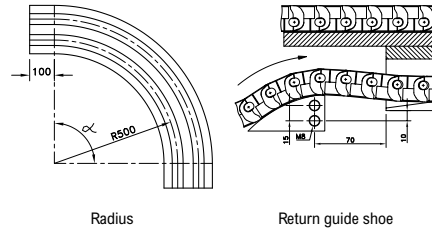
More than 6 tracks on request.

• For plastic chains: FGM 1050, FTM 1060, FGM 1040, FTM 1040.

Magnetflex Combi-A Version CC6

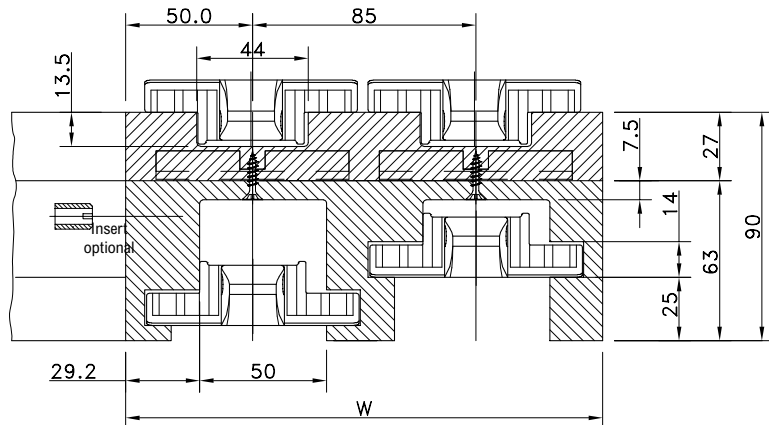
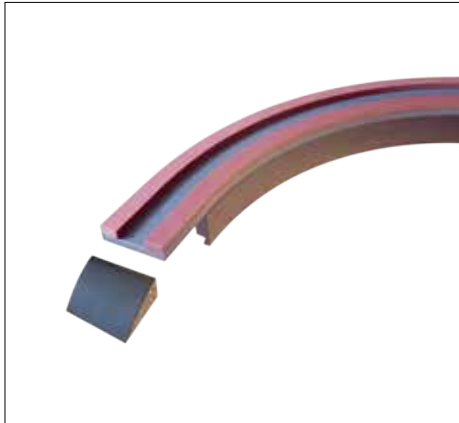


Number of Tracks	1	2	3	4	5	6
Width W	100 mm	185 mm	270 mm	355 mm	440 mm	525 mm
Version CC6						
15°	614.02.16	614.02.17	614.02.18	614.02.19	614.02.20	614.02.21
30°	614.02.31	614.02.32	614.02.33	614.02.34	614.02.35	614.02.36
45°	614.02.46	614.02.47	614.02.48	614.02.49	614.02.50	614.02.51
60°	614.02.61	614.02.62	614.02.63	614.02.64	614.02.65	614.02.66
75°	614.02.76	614.02.77	614.02.78	614.02.79	614.02.80	614.02.81
90°	614.02.01	614.02.02	614.02.03	614.02.04	614.02.05	614.02.06

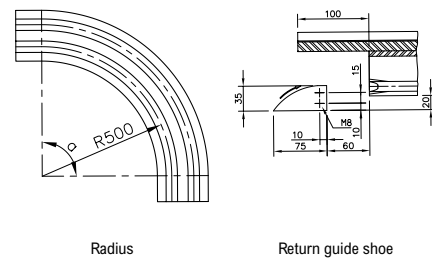


More than 6 tracks on request.
 • For plastic chains: FTM 1055 K330.

Magnetflex Combi-X Version CXC6

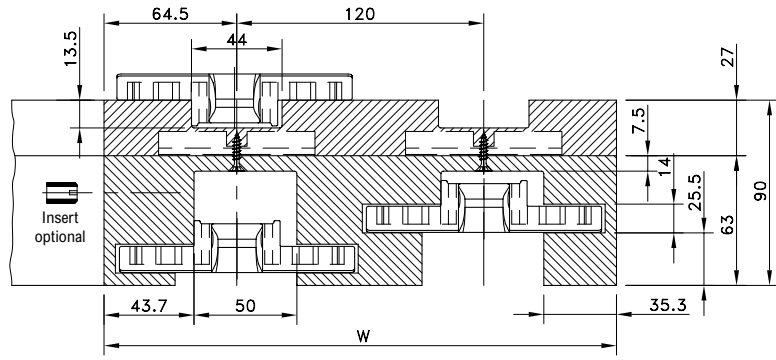


Number of Tracks	1	2	3	4	5	6
Width W	100 mm	185 mm	270 mm	355 mm	440 mm	525 mm
Version CXC6						
15°	614.10.16	614.10.17	614.10.18	614.10.19	614.10.20	614.10.21
30°	614.10.31	614.10.32	614.10.33	614.10.34	614.10.35	614.10.36
45°	614.10.46	614.10.47	614.10.48	614.10.49	614.10.50	614.10.51
60°	614.10.61	614.10.62	614.10.63	614.10.64	614.10.65	614.10.66
75°	614.10.76	614.10.77	614.10.78	614.10.79	614.10.80	614.10.81
90°	614.10.01	614.10.02	614.10.03	614.10.04	614.10.05	614.10.06



More than 6 tracks on request.
 • For plastic chains: FTM 1055 K330.

Magnetflex Combi-A Version CC21



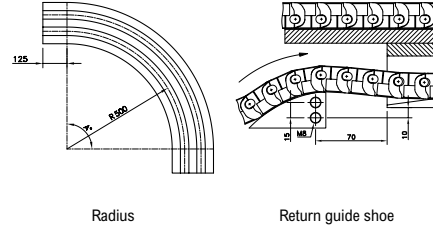
Number of Tracks	1	2	3	4
Width W	129 mm	249 mm	369 mm	489 mm

Version CC21

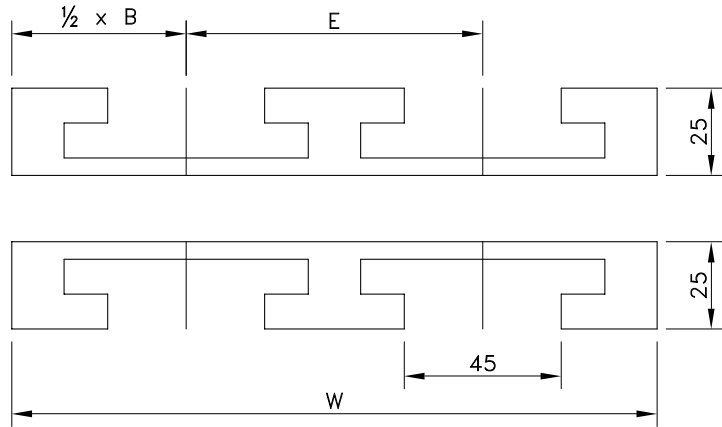
15°	614.08.16	614.08.17	614.08.18	614.08.19
30°	614.08.31	614.08.32	614.08.33	614.08.34
45°	614.08.46	614.08.47	614.08.48	614.08.49
60°	614.08.61	614.08.62	614.08.63	614.08.64
75°	614.08.76	614.08.77	614.08.78	614.08.79
90°	614.08.01	614.08.02	614.08.03	614.08.04

More than 4 tracks on request.

• For plastic chains: FTM 1055 K450.



KTX for single hinge chains



P. 17, 18, 25



P. 34,36,38,39, 43,44,50,52

Number of Tracks	1	2	3	Pitch	Basic Width	Radius
				E	M	R
				mm	mm	mm

Version KTX 013

Width W	100 mm	190 mm	280 mm	For 3.25" wide chains		
15°	LOKTX649933	LOKTX649943	LOKTX649953	90	100	500
30°	LOKTX649963	LOKTX649973	LOKTX649983			
45°	LOKTX649993	LOKTX650003	LOKTX650013			
60°	LOKTX650023	LOKTX650033	LOKTX650043			
75°	LOKTX650053	LOKTX650063	LOKTX650073			
90°	LOKTX650083	LOKTX650093	LOKTX650103			

Version KTX 018

Width W	125 mm	245 mm	365 mm	For 4.50" wide chains		
15°	LOKTX650113	LOKTX650123	LOKTX650133	120	125	610
30°	LOKTX650143	LOKTX650153	LOKTX650163			
45°	LOKTX650173	LOKTX650183	LOKTX650193			
60°	LOKTX650203	LOKTX650213	LOKTX650223			
75°	LOKTX650233	LOKTX650243	LOKTX650253			
90°	LOKTX650263	LOKTX650273	LOKTX650283			

Version KTU 013

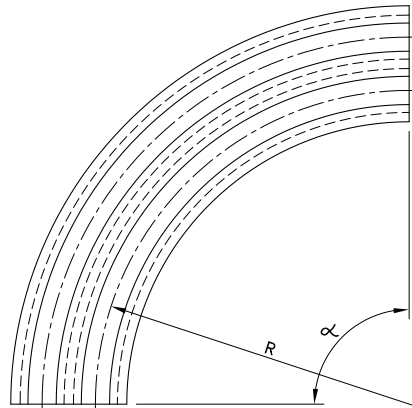
Width W	100 mm	190 mm	280 mm	For 3.25" wide chains		
15°	787.02.77	787.0 8.24	787.08.25	90	100	500
30°	787.05.60	787.08.29	787.08.30			
45°	787.03.08	787.04.06	787.08.34			
60°	787.05.71	787.08.38	787.08.39			
75°	787.05.77	787.08.43	787.08.44			
90°	787.00.02	787.00.51	787.00.50			

Version KTU 018

Width W	125 mm	245 mm	365 mm	For 4.50" wide chains		
15°	787.08.49	787.08.50	787.08.51	120	125	610
30°	787.08.55	787.08.56	787.08.57			
45°	787.07.37	787.08.61	787.08.62			
60°	787.08.66	787.08.67	787.08.68			
75°	787.08.72	787.08.73	787.08.74			
90°	787.01.09	787.00.87	787.01.10			

Version KTU 030

Width W	200 mm	395 mm	590 mm	For 7.50" wide chains		
15°	787.08.80	787.08.81	787.08.82	195	200	610
30°	787.08.86	787.08.87	787.08.88			
45°	787.08.92	787.08.93	787.08.94			
60°	787.08.98	787.08.99	787.09.00			
75°	787.09.04	787.09.05	787.09.06			
90°	787.00.07	787.01.11	787.01.12			



For steel chains:

- 8811 TAB
- 881 TAB
- 66 T 72 RM

For plastic chains:

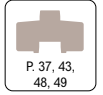
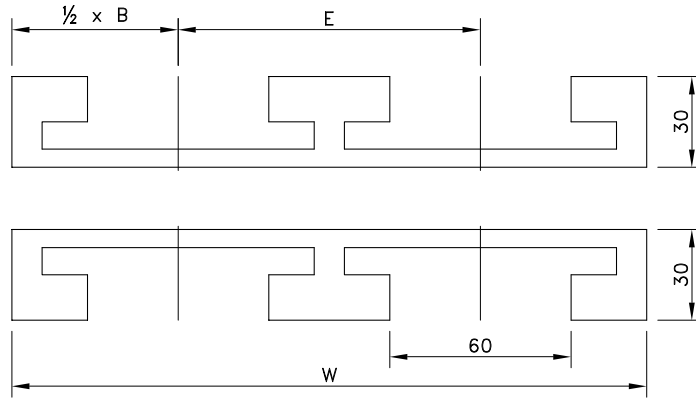
- 880 TAB
- 880 TAB BO
- 879 TAB
- 879 TAB BO
- 880 TAB BOT
- 1050 TAB
- 1055 TAB

KTU for single hinge chains



The code nr. includes both upper and under part.

KTU 200 For Heavy Duty Chains



Number of Tracks	1	2	3	Pitch E	Basic Width M	Radius R
				mm	mm	mm

Version KTU 215

Width W	110 mm	210 mm	310 mm	For 3.25" and 3.75" wide		
15°	787.12.09	787.12.10	787.12.11	100	110	700
30°	787.12.15	787.12.16	787.12.17			
45°	787.12.21	787.12.22	787.12.23			
60°	787.12.27	787.12.28	787.12.29			
75°	787.12.33	787.12.34	787.12.35			
90°	787.00.05	787.12.39	787.12.40			

Version KTU 218

Width W	130 mm	250 mm	370 mm	For 4.50" wide chains		
15°	787.11.08	787.11.09	787.11.10	120	130	610
30°	787.11.14	787.11.15	787.11.16			
45°	787.04.69	787.11.20	787.11.21			
60°	787.04.07	787.11.25	787.11.26			
75°	787.11.30	787.11.31	787.11.32			
90°	787.02.80	787.07.80	787.11.36			

Version KTU 230

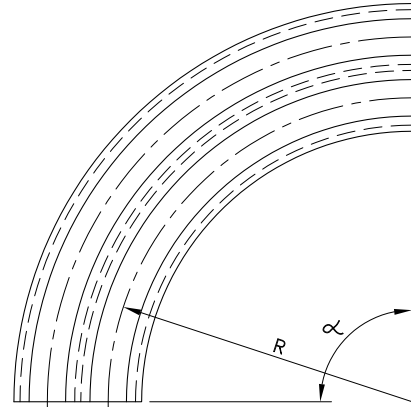
Width W	210 mm	405 mm	600 mm	For 7.50" wide chains		
15°	787.11.40	787.11.41	787.11.42	195	210	610
30°	787.11.46	787.11.47	787.11.48			
45°	787.04.68	787.11.52	787.11.53			
60°	787.11.57	787.11.58	787.11.59			
75°	787.11.63	787.11.64	787.11.65			
90°	787.00.54	787.11.69	787.11.70			

Version KTU 240

Width W	270 mm	530 mm	790 mm	For 10.00" wide chains		
15°	787.11.74	787.11.75	787.11.76	260	270	610
30°	787.11.80	787.11.81	787.11.82			
45°	787.11.86	787.11.87	787.11.88			
60°	787.11.92	787.11.93	787.11.94			
75°	787.11.98	787.11.99	787.12.00			
90°	787.00.06	787.03.26	787.12.04			

Version KTU 248

Width W	320 mm	630 mm	940 mm	For 12.00" wide chains *		
15°	787.12.44	787.12.45	787.12.46	310	320	610
30°	787.12.50	787.12.51	787.12.52			
45°	787.12.56	787.12.57	787.12.58			
60°	787.12.62	787.12.63	787.12.64			
75°	787.12.68	787.12.69	787.12.70			
90°	787.00.21	787.12.74	787.12.75			

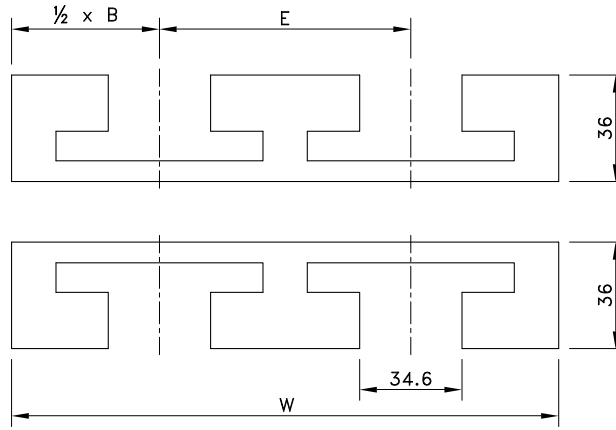


For plastic chains:

- 882 TAB
- 883 TAB
- HDF

* Not for LBP 1200 chains.
The code nr. includes both upper and under part.

KTU 300 For PlateTop Chains



Number of Tracks	1	2	3	Pitch E	Basic Width B	Radius R
				mm	mm	mm

Version KTU 313

Width W	100 mm	190 mm	280 mm	For 3.25" wide chains		
15°	787.09.13	787.09.14	787.09.15	90	100	500
30°	787.09.19	787.09.20	787.09.21			
45°	787.09.25	787.09.26	787.09.27			
60°	787.09.31	787.09.32	787.09.33			
75°	787.09.37	787.09.38	787.09.39			
90°	787.01.13	787.01.14	787.01.15			

Version KTU 318

Width W	125 mm	245 mm	365 mm	For 4.50" wide chains		
15°	787.09.45	787.09.46	787.09.47	120	125	500
30°	787.09.51	787.09.52	787.09.53			
45°	787.07.50	787.09.57	787.09.58			
60°	787.09.62	787.09.63	787.09.64			
75°	787.09.68	787.09.69	787.09.70			
90°	787.01.16	787.01.17	787.01.18			

Version KTU 324

Width W	160 mm	320 mm	480 mm	For 6.00" wide chains		
15°	787.09.77	787.09.78	787.09.79	160	160	610
30°	787.09.83	787.09.84	787.09.85			
45°	787.09.89	787.09.90	787.09.91			
60°	787.09.95	787.09.96	787.09.97			
75°	787.10.01	787.10.02	787.10.03			
90°	787.01.19	787.01.20	787.01.21			

Version KTU 330

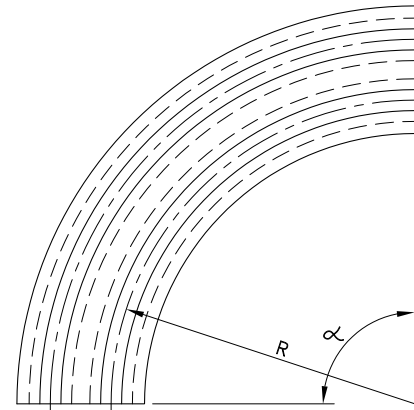
Width W	200 mm	395 mm	590 mm	For 7.50" wide chains		
15°	787.10.10	787.10.11	787.10.12	195	200	610
30°	787.10.16	787.10.17	787.10.18			
45°	787.10.22	787.10.23	787.10.24			
60°	787.10.28	787.10.29	787.10.30			
75°	787.10.34	787.10.35	787.10.36			
90°	787.01.22	787.01.23	787.01.24			

Version KTU 340

Width W	260 mm	520 mm	780 mm	For 10.00" wide chains		
15°	787.10.43	787.10.44	787.10.45	260	260	610
30°	787.10.49	787.10.50	787.10.51			
45°	787.04.70	787.10.55	787.10.56			
60°	787.10.60	787.10.61	787.10.62			
75°	787.10.66	787.10.67	787.10.68			
90°	787.01.25	787.01.26	787.01.27			

Version KTU 348

Width W	310 mm	620 mm	930 mm	For 12.00" wide chains		
15°	787.10.75	787.10.76	787.10.77	310	310	610
30°	787.10.81	787.10.82	787.10.83			
45°	787.10.87	787.10.88	787.10.89			
60°	787.10.93	787.10.94	787.10.95			
75°	787.10.99	787.11.00	787.11.01			
90°	787.01.28	787.01.29	787.01.30			

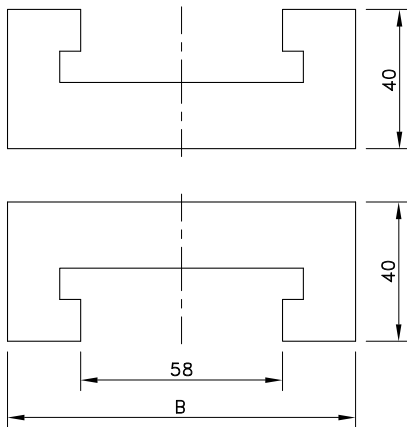


For plate top chains:

- 1873 TAB
- 1874 TAB
- 3873 TAB

The code nr. includes both upper and under part.

KTU 500 For Multiflex Chains

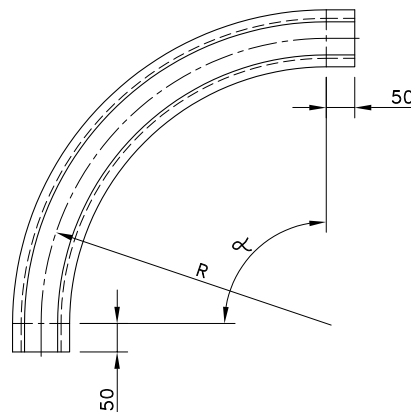


Number of Tracks	1	Basic Width
		B mm

Version KTU 508

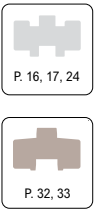
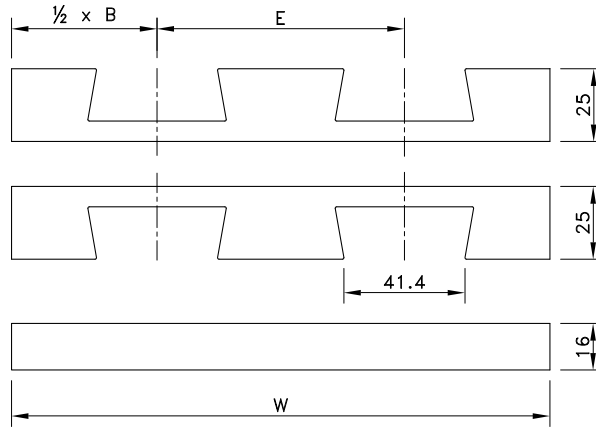
Radius	250 mm	500 mm	For 1700 TAB K
15°	787.12.79	787.12.89	100
30°	787.12.80	787.04.35	
45°	787.12.81	787.12.90	
60°	787.12.82	787.12.91	
75°	787.12.83	787.12.92	
90°	787.03.31	787.01.81	

The code nr. includes both upper and under part.



For plastic Multiflex chains:
• 1700 TAB K

KSU for single hinge chains



Number of Tracks	1	2	3	Pitch E	Basic Width B	Radius R
				mm	mm	mm

Version KSU 013

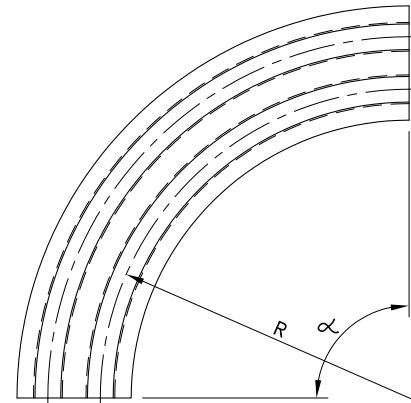
Width W	100 mm	190 mm	280 mm	For 3.25" wide chains		
15°	787.13.03	787.13.04	787.13.05	90	100	500
30°	787.02.50	787.13.09	787.13.10			
45°	787.02.51	787.13.14	787.13.15			
60°	787.13.19	787.13.20	787.13.21			
75°	787.13.25	787.13.26	787.13.27			
90°	787.00.85	787.00.97	787.00.75			

Version KSU 018

Width W	125 mm	245 mm	365 mm	For 4.50" wide chains		
15°	787.13.33	787.13.34	787.13.35	120	125	610
30°	787.13.39	787.13.40	787.13.41			
45°	787.13.45	787.13.46	787.13.47			
60°	787.13.51	787.13.52	787.13.53			
75°	787.13.57	787.13.58	787.13.59			
90°	787.00.17	787.00.98	787.00.99			

Version KSU 030

Width W	200 mm	395 mm	590 mm	For 7.50" wide chains		
15°	787.13.66	787.13.67	787.13.68	195	200	610
30°	787.13.72	787.13.73	787.13.74			
45°	787.13.78	787.13.79	787.13.80			
60°	787.13.84	787.13.85	787.13.86			
75°	787.13.90	787.13.91	787.13.92			
90°	787.00.94	787.01.00	787.01.01			



For steel chains:

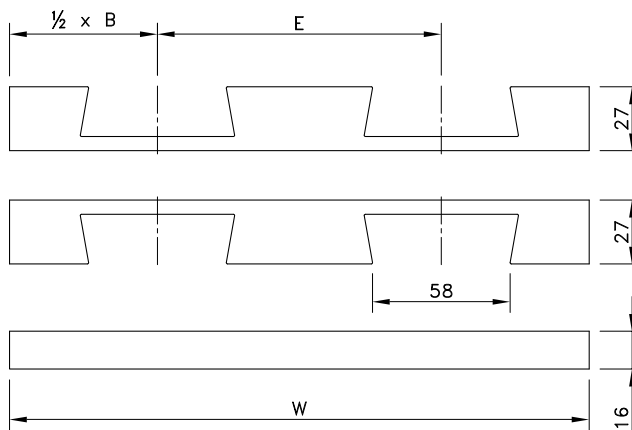
- 8811
- 881
- 66 B 72 RM

For plastic chains:

- 880
- 879

The code nr. includes both upper and under part.

KSU for Heavy Duty chains



Number of Tracks	1	2	3	Pitch E	Basic Width B	Radius R
				mm	mm	mm

Version KSU 218

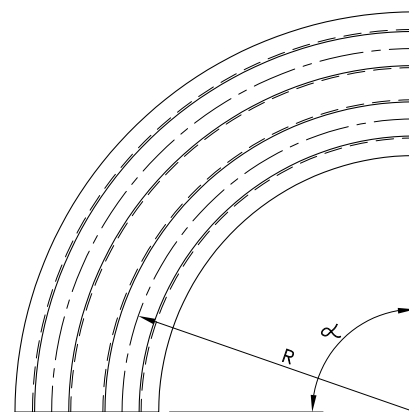
Width W	125 mm	245 mm	365 mm	For 4.50" wide chains		
15°	787.13.99	787.14.00	787.14.01	120	125	610
30°	787.14.05	787.14.06	787.14.07			
45°	787.14.11	787.14.12	787.14.13			
60°	787.14.17	787.14.18	787.14.19			
75°	787.14.23	787.14.24	787.14.25			
90°	787.00.95	787.01.02	787.01.03			

Version KSU 230

Width W	200 mm	395 mm	590 mm	For 7.50" wide chains		
15°	787.14.32	787.14.33	787.14.34	195	200	610
30°	787.14.38	787.14.39	787.14.40			
45°	787.14.44	787.14.45	787.14.46			
60°	787.14.50	787.14.51	787.14.52			
75°	787.14.56	787.14.57	787.14.58			
90°	787.00.96	787.01.04	787.01.05			

Version KSU 240

Width W	265 mm	525 mm	785 mm	For 10.00" wide chains		
15°	787.14.65	787.14.66	787.14.67	260	265	610
30°	787.14.71	787.14.72	787.14.73			
45°	787.14.77	787.14.78	787.14.79			
60°	787.14.83	787.14.84	787.14.85			
75°	787.14.89	787.14.90	787.14.91			
90°	787.01.06	787.01.07	787.01.08			



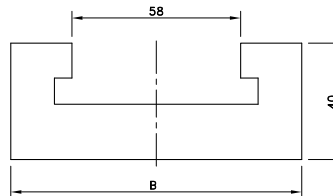
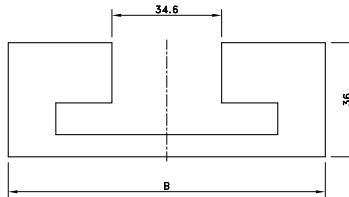
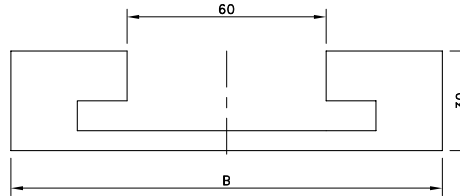
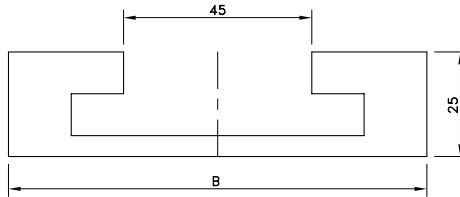
For plastic chains:
• 882

The code nr. includes both upper and under part.

STU for Tab Chains



Type	Code Number	Basic Width B	For Chain Types
Version STU			
STU 013	787.90.09	100	<ul style="list-style-type: none"> • 8811 TAB • 881 TAB • 880 TAB/BO/BOT • 879 TAB/BO • RH/RHD • 1050/1055 TAB
STU 018	787.90.04	130	
Version STU 200			
STU 218	787.90.17	130	<ul style="list-style-type: none"> • 882 TAB • 883 TAB • HDF
STU 230	787.90.05	210	
STU 240	787.90.06	270	
STU 248	787.90.07	320	
Version STU 300			
STU 313	787.45.27	100	<ul style="list-style-type: none"> • 1873 TAB • 1874 TAB • 3873 TAB
STU 318	787.47.56	125	
STU 324	787.47.97	160	
STU 330	787.46.85	200	
STU 340	787.48.04	260	
STU 348	787.90.16	310	
Version STU 500			
STU 508	787.40.74	100	<ul style="list-style-type: none"> • 1700 TAB K • 1713 TAB K
STU 515	787.90.11	110	
STU 540	787.90.20	270	

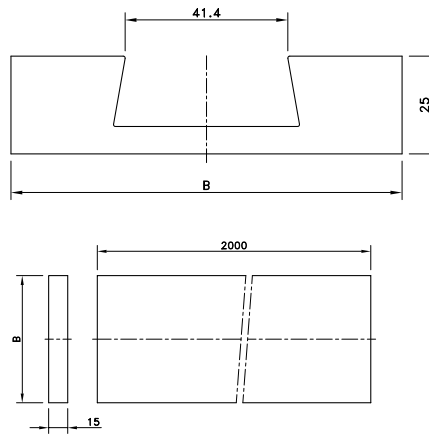


SSU for Bevel Chains



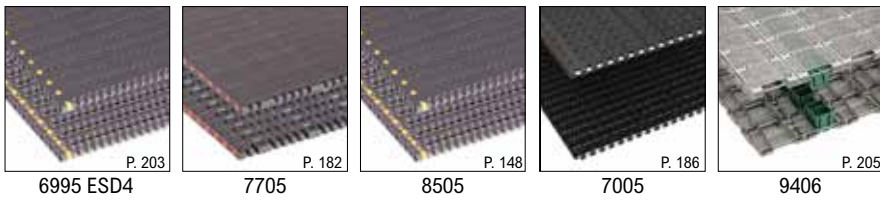
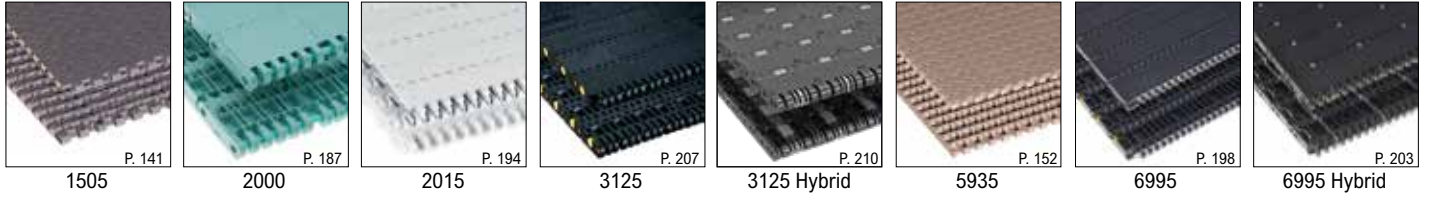
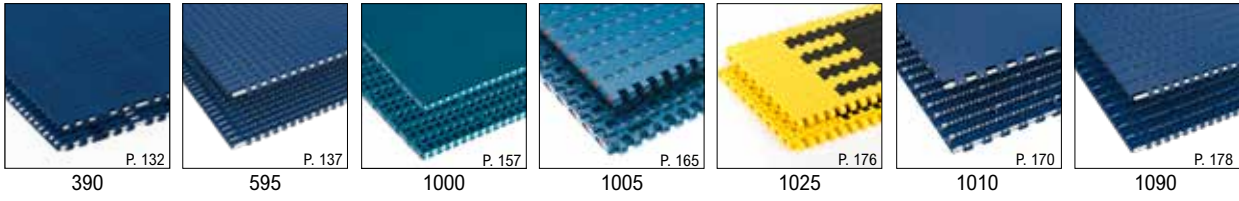
Type	Code Number	Basic Width B	For Chain Types
Version SSU			
SSU 013	787.90.02	100	• 8811 • 881
SSU 018	787.90.18	130	• 880 • 879
Return Plates			
SSU 013 P	787.90.03	100	• 8811 • 881
SSU 018 P	787.90.19	130	• 880 • 879

All straight tracks have a standard length of 2 meters; other lengths upon request.

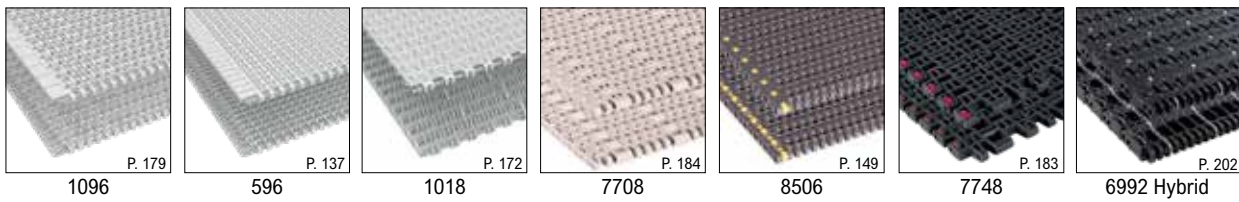
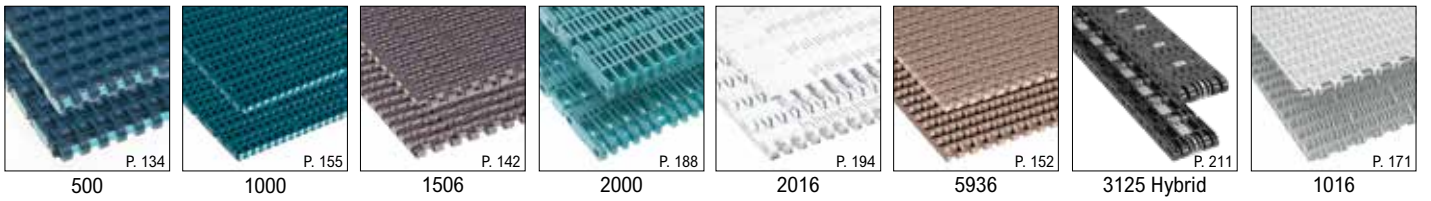


MatTop Chains

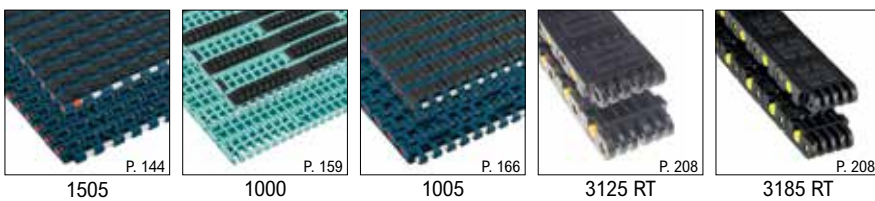
Solid Top Chains



Perforated Top Chains



RubberTop Chains

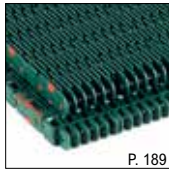


MatTop Chains

Raised Rib Chains

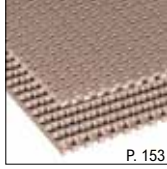


1000



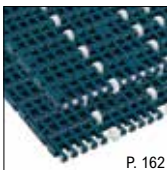
2000

Vacuum Holes Chains

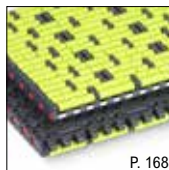


5935

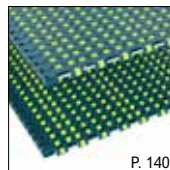
Low back Pressure Chains



1000



1005XLBP

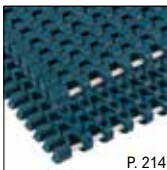


1533

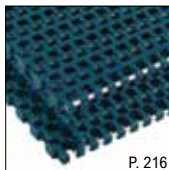


1553

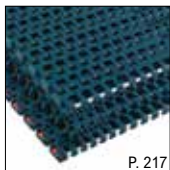
Perforated TopSide-Flexing



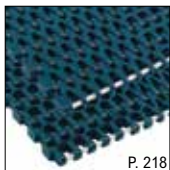
505



1255



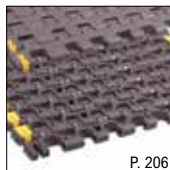
1265



1275

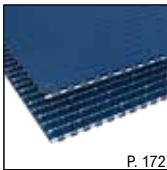


1285



7956

Perforated Nub Top



1011

Textured Top



Textured Top 2011

Safety Top



1029



6999



6999 ESD4



6999 HYB



3129

With a large variety of MatTop executions and materials Rexnord has got a conveying solution for virtually any application, especially in combination with the huge TableTop chain programme. The Rexnord brand has set a standard for modular conveyor belts in beverage industry and now the cleanable designs and specific accessories make several Rexnord MatTop series very suitable for food industry as well. Also in many other industries, such as container making, pharmaceutical and automotive, lines are equipped with Rexnord MatTop chains.

MatTop chains offer a reliable drive concept, using Rexnord great experience in chain drive technology.

The design of both belt and sprocket make a perfect combination meeting high standards for tooth and belt engagement, belt release from the sprocket and allowable elongation. Rexnord MatTop chains are also known for their clever pin retention systems, which make them very easy to install and maintain.

MatTop Chains

The range of MatTop chains varies from ½-inch small pitch sideflexing executions to 2½-inch pitch straight running heavy duty solutions. The different series are offered in many variations to suit any application:

Solid Top/Flat Top

A fully closed surface is used if products require maximum support, due to their vulnerability or instability, and if small particles, such as broken glass, bolts and nuts, bones or the product itself, could get stuck in the surface of the belt, possibly damaging or jamming the product or the belt.

Perforated Top/Flush Grid

An open area surface is used to allow water- or airflow through the belt and to remove debris, making sure the contact surface between the belt and the conveyed product stays clean. Pollution is washed out in a regular cleaning program. The open area varies per belt type.

Raised Top/Raised Rib

If (unstable) products need to be conveyed onto or from a belt or chain, Raised Top belts and fingerplates are suitable. The fingers of the transfer plate reach into and below the surface of the ribs of the belt. Fingerplates are available with longer and shorter fingers; short fingers are normally used in case of a risk of broken glass.

Vacuum Top

Vacuum conveyors are mainly used for can making or empty can handling in beverage plants. Small holes in a Solid Top belt enable to handle the empty cans by means of a vacuum underneath the belt.

Rubber Top/SuperGrip

On inclined and declined conveyors packs or crates can be handled smoothly using surfaces with rubber, moulded on top of a specially prepared module using either over-moulding or 2-component technology, ensuring 100% secure bonding. Rubber Top chains can be used up to an angle of 20 degrees, depending on the pack style and material.

Low Backline Pressure (LBP)

Handling accumulated products (cardboard cases, shrink-wrapped packs, flat based crates, tires, etc.) LBP chains are the best choice. XLBP1005 chains are recommended for shrink-wrapped packages without solid (cardboard) base and small packages, while LBP7703 is the best choice for (cardboard) cases, shrink-wrapped packs with a cardboard bottom and larger products. Both executions guarantee optimum product protection and low noise operation.

Sideflexing

This belt range offers a solution for almost any curved application.

Metric and imperial widths

Most belt series are available in either metric or imperial widths. Metric width has developed as the standard of the (European) beverage industry, following the standard 85 mm pitch between different strands of slabband chains.

This enables a high level of standardization between TableTop and MatTop conveyor design. Imperial widths, mainly used in the North American market, are the standard in many applications outside (European) beverage industry.

Positrack guiding system

In several MatTop series Rexnord offers Positrack or Tab guiding. This system consists of two lugs underneath the belt, offering an easy way to guide it in the conveyor. Positrack has advantages if lateral forces apply, as on side transfers of beverage containers and products entering from the side otherwise.

The system retains the belt on the conveyor frame without the need for additional wearstrips at the sides.

The lugs are usually situated on one side only (double Positrack) allowing for belt expansion without interfering with the accurate guiding of the belt.

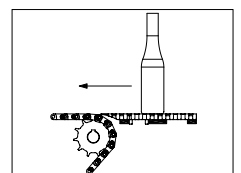
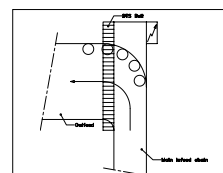
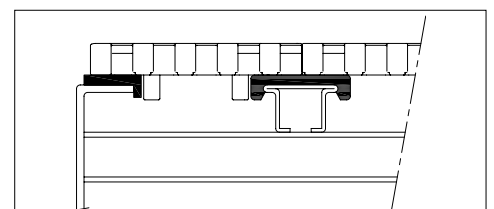
Dynamic Transfer System (DTS/FreeFlow)

The DTS® option makes it possible to construct self-clearing 90-degree transfers on which no products are left behind, avoiding the use of dead plates. A narrow DTS or FreeFlow belt is often used next to the main conveyor belt. Due to the constant moving belt underneath the product, pressure between the products, and therefore noise and product damage, is minimized in comparison with dead plate transfers. This system is available on 1500, 8500, 1000, 1005 and 7700-series.

Flights and sideguards

In several series flights and sideguards can be selected. Due to the great variety in positioning of these accessories these belts don't have fixed codes.

On the product page a table is added explaining the possibilities; examples are given how to make a description for the desired product configuration.



Application

Straight Running Belt Serie		Small Products (Packs)	Glass handling	PET handling	Can handling	Pack handling	Pack accumulation	Pack incline conveyors	Pasteurizer, warmer, cooler	Accumulation Tables	Crates, bread tins	Direct food contact	Blancher, cooker, cooler	Loose food incline conveyors	Cutting	Automotive
Type	Pitch															
390	8mm															
500	1/2"															
590	1/2"															
1500	15 mm															
8500	3/4"															
5930	3/4"															
1000	1"															
1005	1"															
1010	1"															
1090	1"															
7700	1"															
2000	2"															
2010	2"															
1001	1"															
9406	61mm															
6990	2 1/4"															
3120	3"															

Application

SideFlexing Belt Types		Small packages	Standard packages	180-Degree conveyors	High-speed conveyors	Small radius	Crates, bread tins	Incline conveyors	Direct food contact
Type	Pitch								
505	1/2"								
1255	1 1/4"								
1265	1 1/4"								
1275	1 1/4"								
1285	1 1/4"								
7956	1 1/4"								

Application

Material	Mass handling	Inliner standard	Inliner / high-speed / PET	Abrasive wet	Abrasive dry	Static electricity sensitive (dry)	Chemicals, strong cleaning agents	Direct food contact (FDA approved)	Cutting	High temperatures	Freezing	General conveying food industry	Automotive
LF													
XLG													
PSX													
BWX													
DKA													
XP/HT													
WSM*													
WHT*													
WLT*													
BSM/BYSM													
DRY-PT													
FRPLUS													
GLA													

*For different colours of similar materials (e.g. SMB, BHT, etc.) the same recommendations apply. Not all materials are available in each belt series, but for specific applications the best materials are chosen. *) For individual application advice consult your local technical support representative.

Optional Best choice

Rexnord continuously develops solution-oriented, innovative conveyor products and components to meet the increasing performance demands of high-speed and mass-flow conveyors in the beverage and food industries. Our Rexnord® 390 Series MatTop® Chain provides an optimized design for tight transfer conveyors (“knife edge”).

Chain-sprocket engagement:

- Runs on positive drive sprockets including round shaft bores
- Fixed sprocket positions ensure optimal engagement and reduce installation time
- The chain and sprocket tooth design ensures an optimal chain-sprocket engagement

This prevents the chain from jumping on the teeth when light or heavy load is applied in case of high or low tension of the chain around the sprocket.

Industry-leading chain performance

The Rexnord 395 MatTop Chain is designed to offer highest reliability and durability in the most critical applications. This is achieved by a combination of high load capacity, high stiffness and optimal chain-sprocket engagement, even when there is low back tension.



Conveyor equipped with Rexnord 395 Series KleanTop Belt.

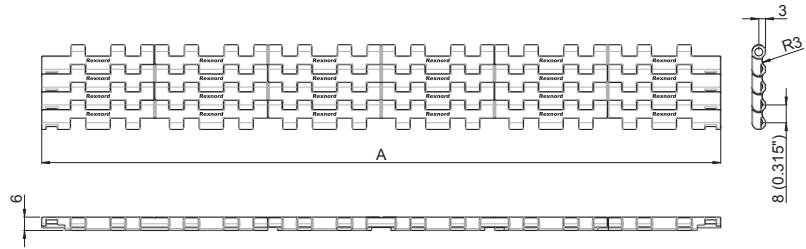
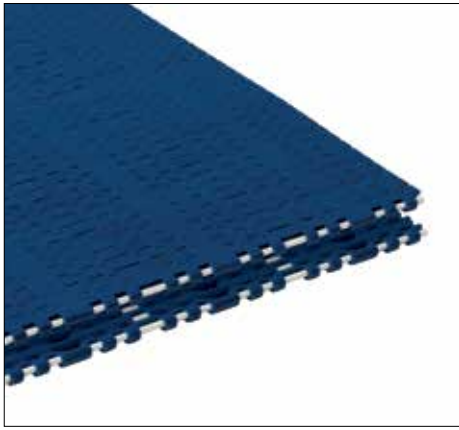
Product Information

- Class-leading strength of 500 lbs/ft (7300 N/m)
- Imperial width steps of 2 inches (50.8 mm) and metric width steps of 3.3 inches (85 mm)
- Suitable for speeds up to 164 ft/min (50 m/min)
- Easy but reliable pin retention system
- High stiffness
- Materials approved for direct food contact
- Suitable for nose bar of 6 mm



Conveyor equipped with Rexnord 395 Series KleanTop Belt.

FlatTop 395



Rexnord 390 Series MatTop Chain Material (Imperial) Overview

Chain Type	Material	Standard Pin Material	Working Load (max)		Backflex Radius (min)	Temperature Range °C	
			lbs/ft / N/m	lbs/ft / kg/m		Dry	Wet
SMB395-XXIN	SMB (blue)	PBT	500 / 7300	1.2 / 5.7	0.2 / 3.0	4 to 80 / 4 to 65	
WSM395-XXIN	WSM (white)	PBT	500 / 7300	1.2 / 5.7	0.2 / 3.0		
HP395-XXIN	HP (grey)	PBT	500 / 7300	1.2 / 5.7	0.2 / 3.0		
PSX395-XXIN	PSX (grey)	PBT	500 / 7300	1.2 / 5.7	0.2 / 3.0		

General information:

- The Rexnord 395 MatTop Chain is offered in flat top surface execution
- (A) Nominal standard width of the (imperial) Rexnord 395 MatTop Chain is 6 IN and available with increments of 2 IN up to 120 IN

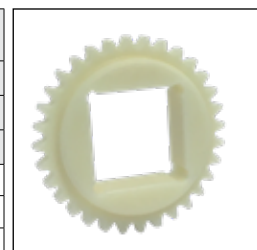
Rexnord 390 Series MatTop Chain Material (Metric) Overview

Chain Type	Material	Standard Pin Material	Working Load (max)		Backflex Radius (min)	Temperature Range °C	
			lbs/ft / N/m	lbs/ft / kg/m		Dry	Wet
XLG395-XXMM	XLG (blue)	PBT	500 / 7300	1.16 / 5.7	0.2 / 3.0	4 to 80 / 4 to 65	
PSX395-XXMM	PSX (grey)	PBT	500 / 7300	1.16 / 5.7	0.2 / 3.0		

General information:

- The Rexnord 395 MatTop Chain is offered in flat top surface execution
- (A) Nominal standard width of the (metric) Rexnord 395 MatTop Chain is 255 mm and available with increments of 85 mm up to 3600 mm

Number of Teeth	Pitch Diameter		Outside Diameter		Bore Diameter							
					Round				Square			
	in	mm	in	mm	in		mm		in		mm	
					min	max	min	max	min	max	min	max
KU 390 Series Sprocket												
24	2.4	61	2.4	63	3/4	1	20	30	1	1	25	30
32	3.2	83	3.2	83	3/4	1.5	20	30	1	1.5	25	45
36	3.6	92	3.6	93	3/4	1.5	20	40	1	2	25	55



Rexnord KU390-32T 40MM S PA

The 500-Series ½-inch pitch belt offers the smallest pitch available in the market. This pitch makes this belt very suitable for handling small or unstable products requiring small inline transfers, such as infeed conveyors of packaging equipment and can manufacturing. As a standard the belts are supplied in low friction acetal.

Features

- Perfect product handling due to very small pitch ensuring smooth operation and low friction acetal.
- The small 12.7 mm pitch reduces chordal action and permits the use of small or no dead plates at inline transfers.
- Rounded outside edges for better side transfers and improved product handling.
- Pin retention system with clips allows easy pin access for installation and maintenance.



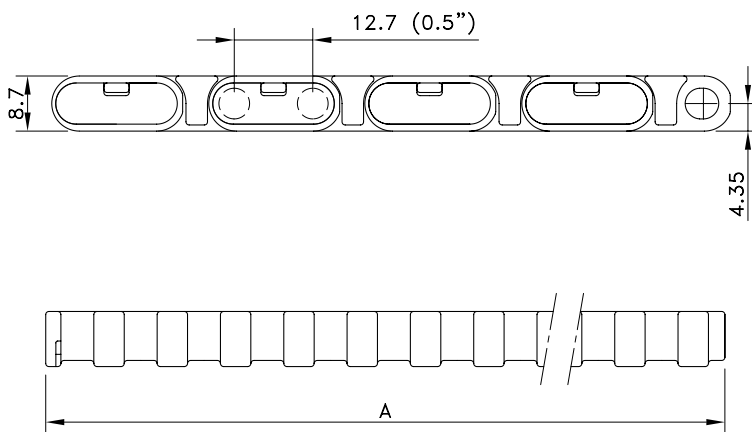
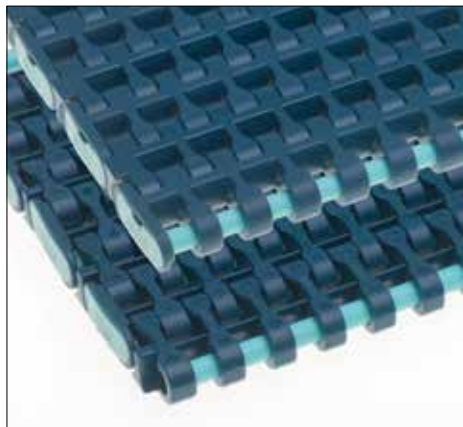
Conveyor with 500 belt.

Programme	
500 Flush Grid	16% Open area; this guarantees optimum water- and airflow and allows pollution to fall through and maintain a clean contact surface between products and the belt; suitable for amongst others can making and can processing
Positrack	Small lugs on one or both sides of the belt, to ensure a superior guiding of the belt even on long conveyors and at side transfers. Positrack is also recommended on 85 mm wide single track belt executions



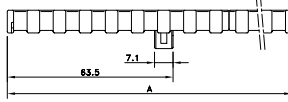
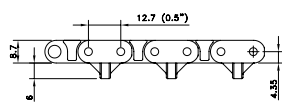
Conveyor with 500 belt.

Flush Grid 500



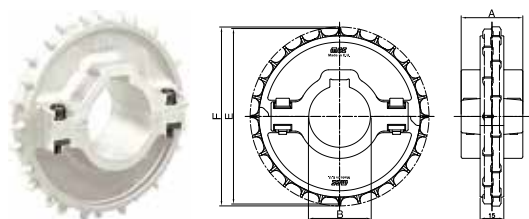
Assembly	Belt Type	Code Number*	Temperature range °C		Working Load (max) N/m (21°C)	Weight kg/m ²	Backflex Radius (min.) mm
			Dry	Wet			
XLG-Acetal With Polypropylene Pins							
STANDARD	FG 500 XLG	857.40.xx	4 to 80	4 to 65	13000	6.00	8
POSITRACK LEFT	FGP 500 XLG	874.05.xx					
POSITRACK RIGHT	FGP 500 XLG	874.06.xx					
POSITRACK TWO SIDES	FGP 500 XLG	874.04.xx					

* In code numbers xx corresponds with the belt width (A), starting with 10 for 85 mm, 11 for 170 mm and so on in steps of 85 mm. See page 208 for all code numbers. Cut to width options upon request.

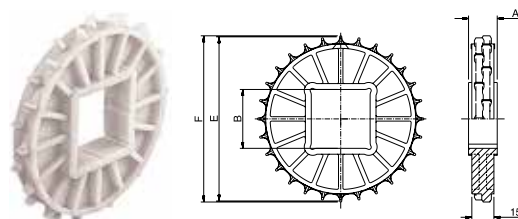


Left: Flush Grid 500 Belt With Positrack
Right: Positrack

Split Sprockets



Classic Sprockets



Sprocket Type	Code Number	Number of Teeth	Bore	Pitch Diameter E	Outside Diameter F	Hub Width A
			B			
			mm/inch	mm	mm	mm
Round Bores						
NS500-28T_30MM_1KW_PA	10302795	28	30 mm	113.4	113.4	39
NS500-28T_40MM_1KW_PA	10148194	28	40 mm			
NS500-28T_1-1/2IN_1KW_PA	10148196	28	1.5"			
Square bores						
NS500-28T_40MM_S_PA	10148195	28	40 mm	113.4	113.4	39
NS500-28T_1-1/2IN_S_PA	10328184	28	1.5"			
Classic sprockets						
Round Bores						
N500-28T_25MM_2KW_PA	10148166	28	25 mm	113.4	113.4	20
N500-28T_30MM_2KW_PA	10148167	28	30 mm			
N500-28T_40MM_2KW_PA	10148165	28	40 mm			
N500-28T_1-1/2IN_2KW_PA	10148169	28	1.5"			
N500-38T_40MM_2KW_PA	10148164	38	40 mm	153.8	153.1	
Square Bores						
N500-28T_40MM_S_PA	10148168	28	40 mm	113.4	113.4	20
N500-28T_60MM_S_PA	10334323	28	60 mm			

Food processors require conveying systems that are tailored to the unique needs of the industry and individual applications.

Too often, conveyor belt manufacturers develop products that serve a variety of industries, forcing food processors to make small compromises that could affect operations and product quality. With these challenges in mind, Rexnord created the 590 Series KleanTop™ belt. Unlike similar belts on the market, the 590 Series was designed for the food industry, offering the optimal combination of ease in cleaning, transfer capability, and belt strength.

Superior Industry Performance

Given the combination of features and benefits, the Rexnord 590 Series KleanTop provides superior performance in food conveying applications for the following food processors:

- Baking
- Snack Food
- Fruit and Vegetable
- Seafood
- Poultry



Conveyor equipped with Rexnord 595 Series KleanTop Belt.

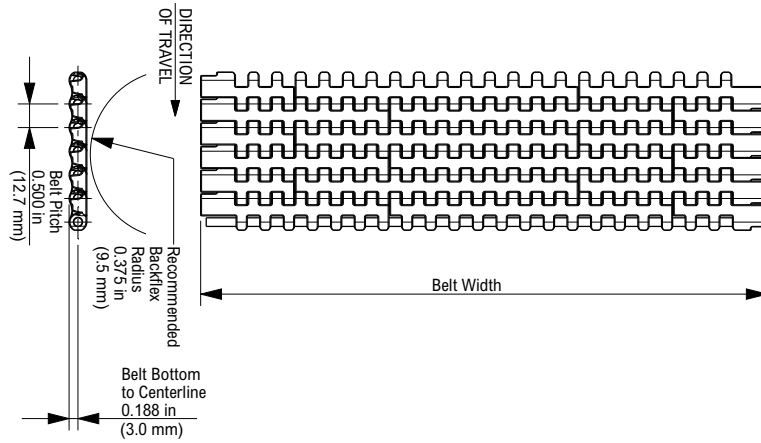
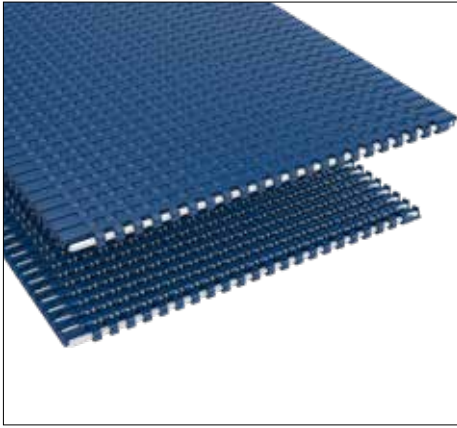
Product Information

- Plastic modular belt available in minimum width of four inches and increments of a half-inch.
- Flush grid version available with 25 percent open area.
- Machined sprockets available in 18- and 24- and 36-teeth execution in both single piece (KU) and split (KUS) designs.
- Available in FDA- and EC-approved white and blue materials for visual contrast and identification.



Conveyor equipped with Rexnord 596 Series KleanTop Belt.

Flat Top



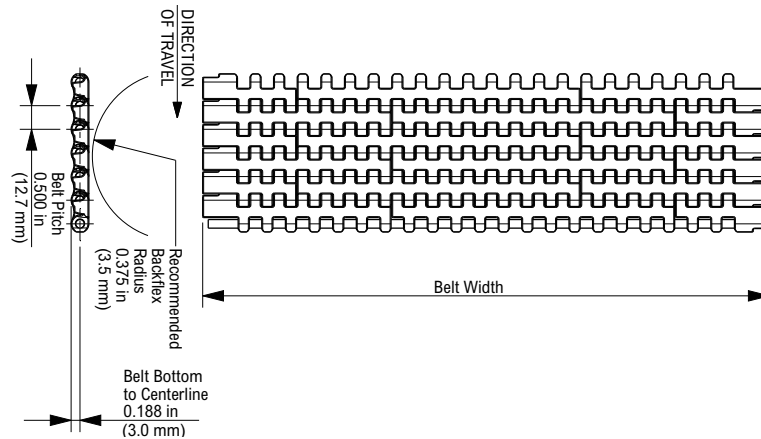
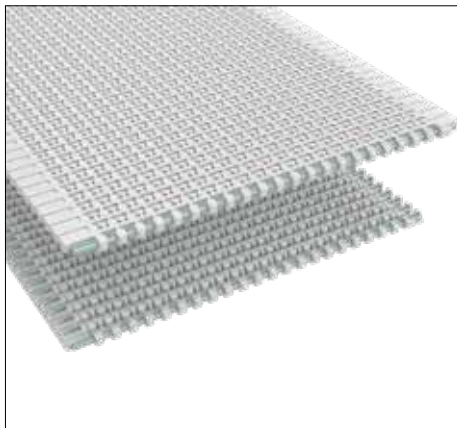
Rexnord 590 Series KleanTop Chain Overview

Chain Type	Material	Standard Pin Material	Working Load (max)		Backflex Radius (min)	Temperature Range °C	
			lbs/ft / N/m	lbs/ft / kg/m		Dry	Wet
SMB595-XXIN	SMB (Blue)	PBT	1.100 / 16.048	1.59 / 7.76	0.375 / 9.5	-40 / 82	-40 / 66
WHT595-XXIN	WHT (White)	PBT	700 / 10.213	1.02 / 4.98		4 / 104	4 / 100
BHT595-XXIN	BHT (Blue)	PBT	700 / 10.213	1.02 / 4.98		4 / 104	4 / 100

General information:

- Plastic modular belt available in minimum width of four inches and increments of a half-inch
- (A) Nominal standard width of the (imperial) Rexnord 590 MatTop Chain is 4 IN and available with increments of 0.5IN

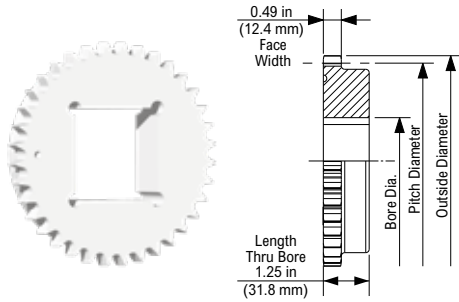
Flush Grid



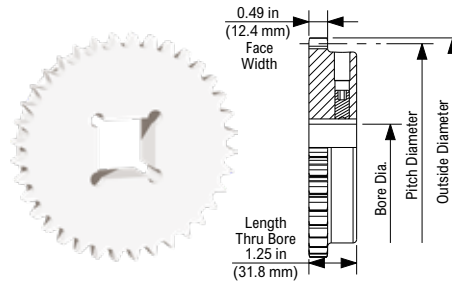
Rexnord 596 Series KleanTop Chain Material Overview

Chain Type	Material	Standard Pin Material	Working Load (max)		Backflex Radius (min)	Temperature Range °C	
			lbs/ft / N/m	lbs/ft / kg/m		Dry	Wet
SMB596-XXIN	SMB (Blue)	PBT	900 / 13.130	1.48 / 7.23	0.375 / 9.5	-40 / 82	-40 / 66
WHT596-XXIN	WHT (White)	PBT	500 / 7295	0.95 / 4.64		4 / 104	4 / 100
BHT596-XXIN	BHT (Blue)	PBT	500 / 7295	0.95 / 4.64		4 / 104	4 / 100

KU590 Thermoplastic Sprocket



KUS590 Thermoplastic Split Sprocket



KU590 Thermoplastic Sprocket Information

Number of Teeth		Pitch Diameter		Outside Diameter		Bore Diameter (Shaft-Ready)								Bore Diameter (Idler)				Approximate Weight	
						Round				Square				in		mm			
						in	mm	min	max	in	mm	min	max	min	max	min	max		
actual	effect	in	mm	in	mm	min	max	min	max	min	max	min	max	min	max	min	max	lbs	kg
19T	19T	3.0	77.2	3.0	76.7	1	1-7/16	25	35	1	1-1/2	25	38	1	1-3/4	25	45	0.18	0.08
24T	24T	3.8	97.3	3.8	97.2	1	1-3/4	25	45	1	1-19/32	25	40	1	2	25	50	0.34	0.16
28T	28T	4.5	113.4	4.5	113.9	1	2-1/4	25	55	1	2-1/4	25	55	1	3	25	76	0.54	0.24
36T	36T	5.7	145.7	5.8	146.4	1	3	25	75	1	3	25	75	1	4	25	102	1.00	0.45

KUS590 Thermoplastic Split Sprocket Information

Number of Teeth		Pitch Diameter		Outside Diameter		Bore Diameter (Shaft-Ready)								Bore Diameter (Round)				Approximate Weight	
						Round				Square				in		mm			
						in	mm	min	max	in	mm	min	max	min	max	min	max		
actual	effect	in	mm	in	mm	min	max	min	max	min	max	min	max	min	max	min	max	lbs	kg
36T	36T	5.7	145.7	5.8	146.4	1	2-3/4	25.0	70.0	1	2-1/2	25.0	60.0	1	2-3/4	25.0	70.0	1.05	0.47

The 1500-Series 15 mm pitch belt helps to eliminate container tipping and jam-ups at conveyor transfer points. These belts are designed to enable smooth inline nose-over and 90° transfers. 1500-series is available in open, closed and rubber top executions, of which last two in both imperial and metric widths. As a standard the belts are supplied in high-performance acetal and high-temperature resistant polypropylene for beverage applications.

Features

- The 15 mm pitch in combination with the curved underside of the belt reduces chordal action and permits the use of very short transfer plates or no transfer plates at all.
- The small pitch ensures perfect product handling, even for the most vulnerable products.
- Practical plug pin retention system allows easy installation and maintenance; metric executions have orange plugs, imperial versions have a yellow pin retention.
- Belt and sprocket design ensure optimum engagement and a reliable, bi-directional drive.

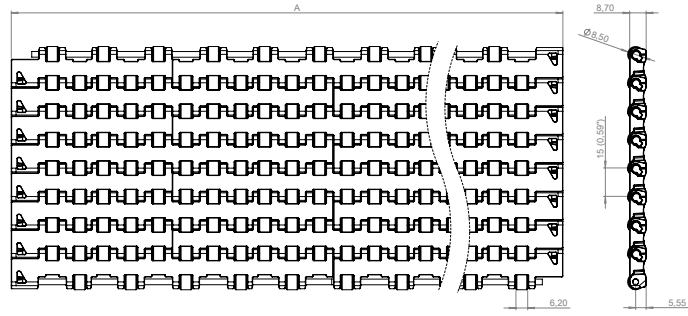
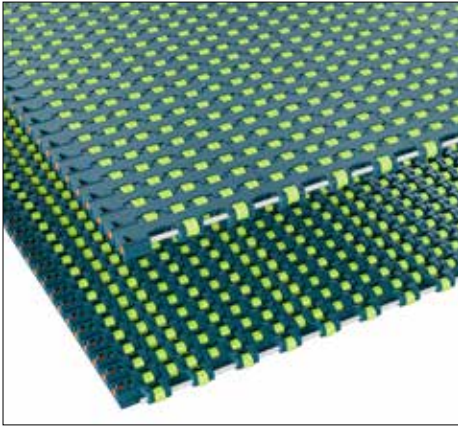


Wine Bottle Conveyor with 1505 Belt



Conveyor with SGDP1505 XP Belt

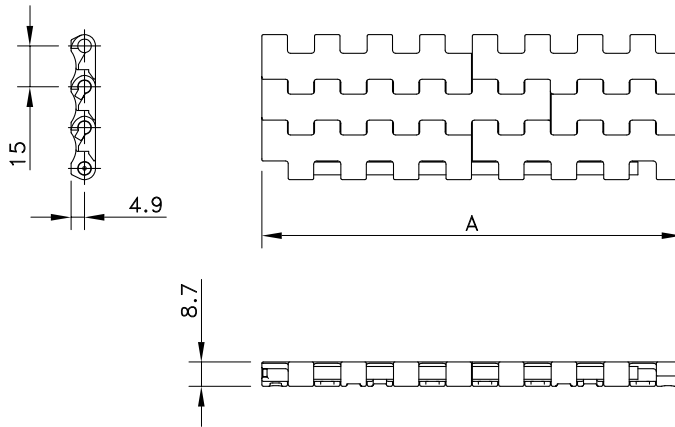
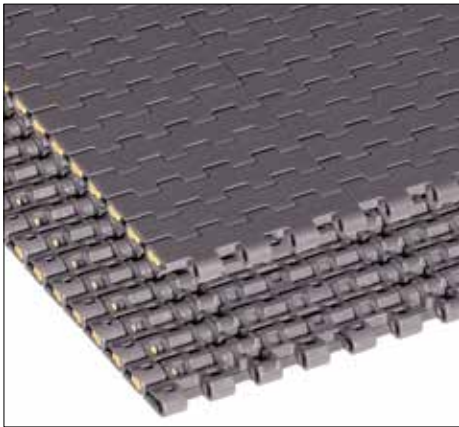
Programme	
1505 Flat Top	Closed surface; suitable for (instable) glass and PET containers and otherwise vulnerable products
1506 Flush Grid	26% Open area for optimum water- and airflow; suitable for amongst others can handling
1505 SuperGrip	Rubber Top for inclined and declined conveyors with packs and for metering applications; Positrack and 44 mm side-indent possible. Standard angles up to 20°
DTS®	Single module Dynamic Transfer System for left- or right-hand self-clearing 90° transfers to avoid dead plates; as a standard equipped with Positrack guiding
Positrack	Lugs for accurate guiding of the belt in the conveyor (metric execution and DTS only)
Chain accessories	Flights and sideguards for special applications in food industry (imperial executions only)
1553 Series	High-density LBP roller support. The Rexnord 1553 LBP MatTop Chain runs on standard Rexnord 1500 Series Sprockets, simplifying conveyor design
1533 Series	High-density LBP roller support. The Rexnord 1533 Series MatTop Chain runs on standard 1500 Series sprockets and uses proven 1005 Series plugs.



Temperature Range XLG Material														
Available Materials	Fahrenheit				Celsius				Working Load		Approximate Weight		Backflex Radius	
	min		max		min		max		lbs/ft	N/m	lbs/ft ²	Kg/m ²	mm	inch
	dry	wet	dry	wet	dry	wet	dry	wet						
XLG	-40°F	41°F	176°F	104°F	-40°C	5°C	80°C	40°C	6000	4425	1.66	8.1	20	0.7874

9.843" upto 40.157" with increments of 3.346"

Flat Top 1505 Imperial Sizes



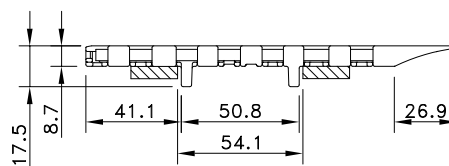
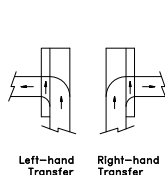
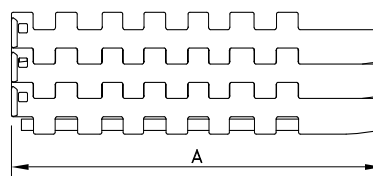
Assembly	Belt Type	Code Number*	Temperature range °C		Working Load (max.) N/m (21°C)	Weight kg/m ²	Backflex Radius (min.) mm
			Dry	Wet			
HP-Acetal with PBT pins							
Standard	HP 1505	I1505HPKxx	-40 to +80	-40 to +65	13200	6.24	25
DTS Left	HP 1505 DTS SX	81413971					
DTS Right	HP 1505 DTS DX	81414111					
HT-Polypropylene with Polypropylene Pins							
Standard	HT 1505	I1505HTKxx	4 to 104	4 to 104	7300	4.52	25
WHT-Polypropylene with PP Pins							
Standard	WHT 1505	I1505WHTKxx	4 to 104	4 to 104	7300	4.50	25
FRPLUS - High performance flame retardant polymer - Acetal Pins							
Standard	FRPLUS 1505	I1505FRPLUSKxx	-18 to +82	-40 to +65	7300	6.99	25

* In code numbers xx corresponds with the belt width (A). Standard nominal widths of these belts begin at 3" with 3" increments, or optionally ¼" up to 96". NOTE: ¾" is impossible. Example: I1505HPK06.75 is a 6.75" wide belt. See also page 223.

If you need flights or sideguards, describe the belt by choosing from the required options listed in the 2nd column of the table:

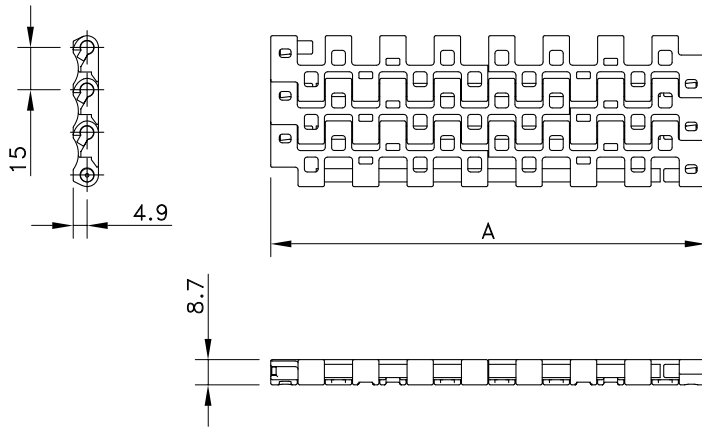
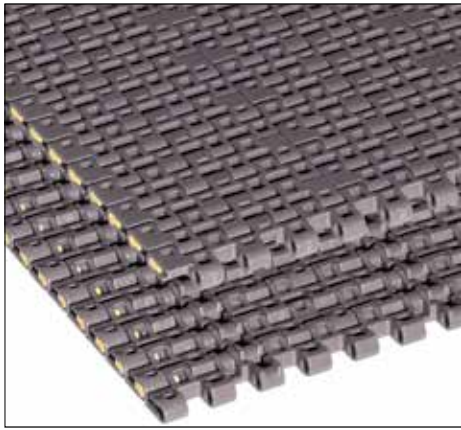
Material	WHT or WSM or SMB	
Belt type	1505	
Width (A)	K - xx IN	
Flights	F1 or F2	Standard height of 1" (25.4 mm), 2" (50.8 mm) or special height in mm
Pitch between flights	T..P	Flights on every .. th row
Flight side-indent	N.. (in inches)	Minimal 1 ⅞" (48 mm) with ¼" (19 mm) increments
Sideguards	S2IN	Standard height of 2"

Example: BLT 1505 -12IN_F50mm_T4P_N1.88IN_S2IN is a 1505 Flat Top belt, made of blue polyethylene, width 12", special 50 mm high flights on every 4th row at 1 ⅞" from the sides and 2" high sideguards.



Dynamic Transfer System (DTS®) 1500-Series Imperial

Flush Grid 1506 Imperial Sizes



Assembly	Belt Type	Code Number*	Temperature range °C		Working Load (max.) N/m (21°C)	Weight kg/m ²	Backflex Radius (min.) mm
			Dry	Wet			
HP-Acetal with PBT Pins							
Standard	HP 1506	I1506HPKxx	-40 to +80	-40 to +65	13200	6.24	25
DTS Left	HP 1505 DTS SX	81413971					
DTS Right	HP 1505 DTS DX	81414111					
HT-Polypropylene with PBT Pins							
Standard	HT 1506	I1506HTKxx	4 to 104	4 to 104	7300	4.52	25
WHT-Polypropylene with PBT Pins							
Standard	WHT 1506	I1506WHTKxx	4 to 80	4 to 65	7300	4.50	25
FRPLUS-High performance flame retardant polymer - Acetal Pins							
Standard	FRPLUS 1506	I1506FRPLUSKxx	-18 to +82	-18 to +60	7300	6.93	25

* In code numbers xx corresponds with the belt width (A). Standard nominal widths of these belts begin at 3" (76.2 mm), with 3" increments, or optionally 3/4" up to 120". NOTE: 3 3/4" is impossible. Example: I1506HPK06.75 is a 6.75" wide belt. See also page 208.

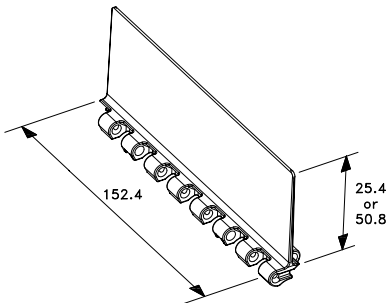
If you need flights or sideguards, describe the belt by choosing from the required options listed in the 2nd column of the table:

Material	HP or WHT or HT or FRPLUS	
Belt type	1506	
Width (A)	F1IN or F2IN	
Flights	F1 or F2	Standard height of 1" (25.4 mm), 2" (50.8 mm) or special height in mm
Pitch between flights	T..P	Flights on every .. th row
Flight side-indent	N.. (in inches)	Minimal 1 7/8" (48 mm) with 3/4" (19 mm) increments
Sideguards	S2IN	Standard height of 2"

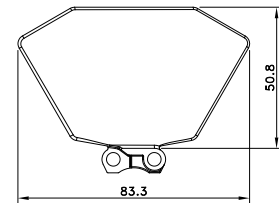
Example: WSM1506-6IN_F2IN_T05P_N0IN is a 1506 Flush Grid belt, made of white acetal, width 15 3/4", 1" high flights on every 8th row at 1 7/8" from the sides and 2" high sideguards.



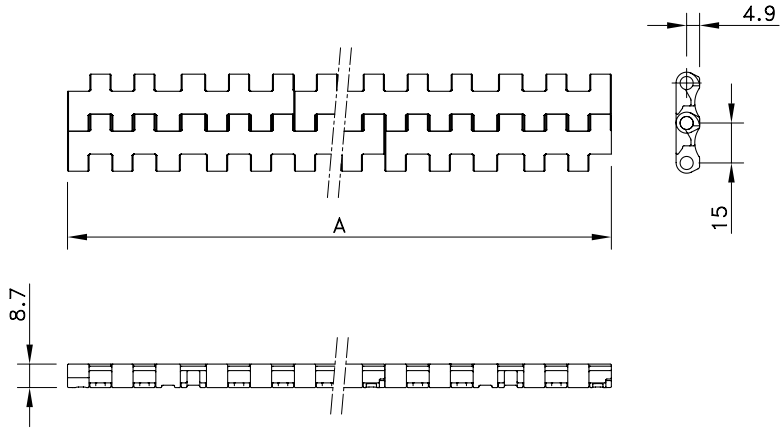
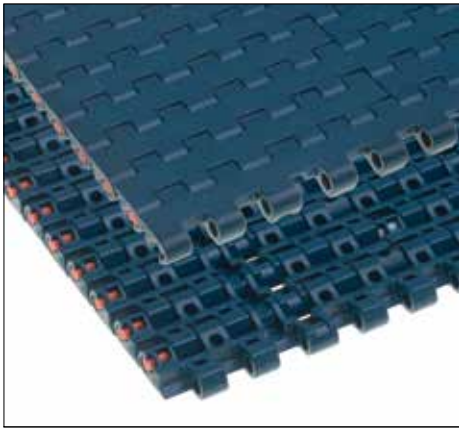
Flight for 1500-series imperial



Sideguards for 1500-series imperial

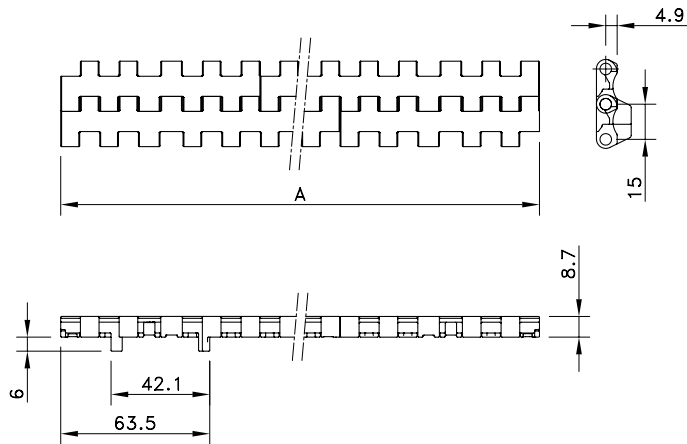
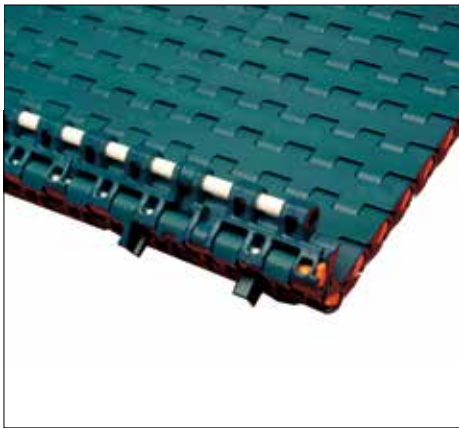


FlatTop 1505 Metric Sizes



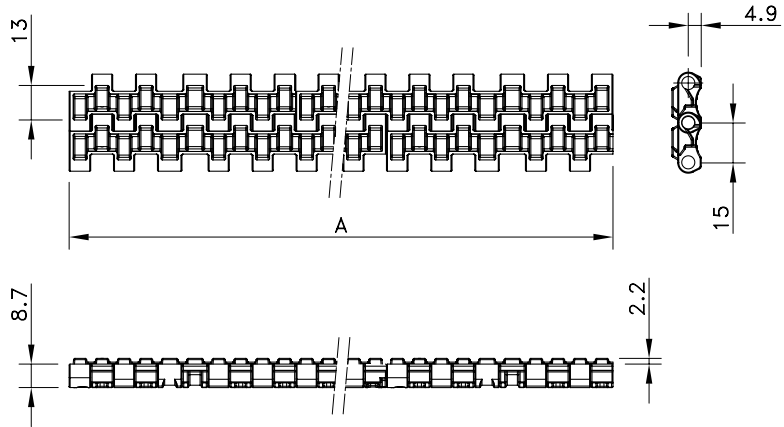
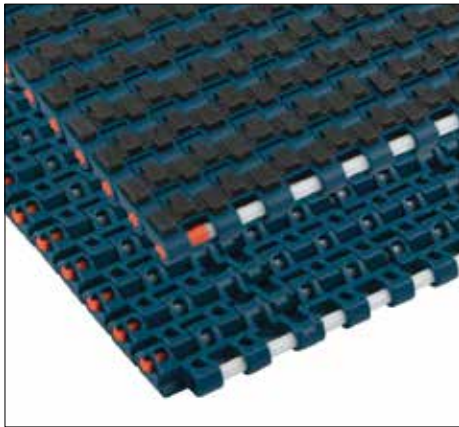
Assembly	Belt Type	Code Number*	Temperature range °C		Working Load (max.) N/m (21°C)	Weight kg/m ²	Backflex Radius (min.) mm
			Dry	Wet			
XLG-Acetal with PBT Pins							
Standard	FT 1505 XLG	873.44.xx	-40 to +80	-40 to +65	13200	6.35	25
Double Positrack	FTDP 1505 XLG	873.54.xx					
PSX Advanced Performance Polymer Alloy with PBT pins							
Standard	FT 1505 PSX	873.77.xx	4 to 104	4 to 104	13200	4.49	25
Double Positrack	FTDP 1505 PSX	873.76.xx					
WHT-Polypropylene with PP Pins							
Standard	WHT 1505 FT	873.49.xx	4 to 104	4 to 104	7300	4.49	25
Double Positrack	WHT 1505 FTDP	873.58.xx					
Dry-PT - PBT Pins							
Standard	Dry-PT 1505 FT	I1505DRYPTFTxx	4 to 104	4 to 104	13200	4.49	25
Double Positrack	Dry-PT 1505 FTDP	I1505DRYPTFTDPKxx					
FRPLUS-High performance flame retardant polymer - Acetal Pins							
Standard	FRPLUS 1505 FT	I1506FRPLUSKxx	-18 to +82	-18 to +60	7300	6.99	25
Double Positrack	FRPLUS 1505 FTDP	I1506FRPLUSFTDPKxx					

* In code numbers xx corresponds with the belt width (A), starting with 11 for 170 mm, 12 for 255 mm and so on in steps of 85 mm, up to 6120 mm; wider belts upon request. See page 208 for all code numbers. Cut to width options are possible.



Positrack 1505 Metric

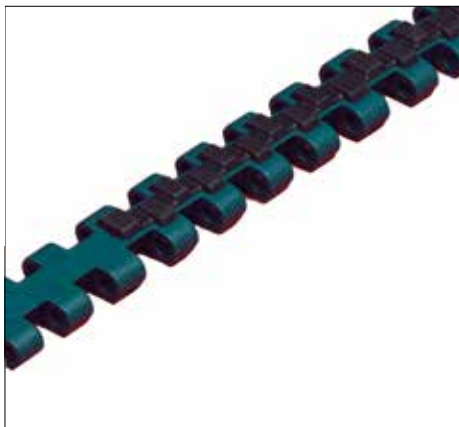
Flat Top 1505 Supergrip



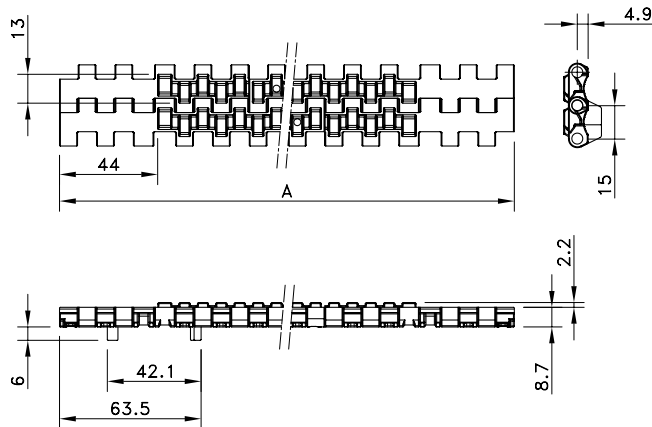
Assembly	Belt Type	Code Number*	Temperature range °C		Working Load (max.) N/m (21°C)	Weight kg/m ²	Backflex Radius (min.) mm
			Dry	Wet			
XLG-Acetal with PBT Pins							
Standard	SG 1505 XLG	878.00.xx	-40 to +8 0	-40 to +65	13200	6.35	25
Double Positrack	SGDP 1505 XLG	878.12.xx					
Side-Indent	SGS 1505 XLG	878.01.xx					
Side-Indent Double Positrack	SGSDP 1505 XLG	878.13.xx					
WHT-Polypropylene with PBT Pins							
Standard	SG 1505 WHT	878.04.xx	4 to 80	4 to 65	7300	4.49	25
Side-Indent	SGS 1505 WHT	878.05.xx					

* In code numbers xx corresponds with the belt width (A), starting with 11 for 170 mm, 12 for 255 mm and so on in steps of 85 mm, up to 6120 mm. SuperGrip Side-indent versions start with 255 mm width. See page 208 for all code numbers. Cut to width options are possible. Side-indent in SuperGrip versions is 44 mm.

Rubber top is a black elastomere, with a hardness of 40 (XP) or 50 (XLG,WSM) or 60 (WHT) shore A.

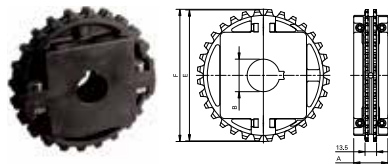


1505 Supergrip Side-Indent

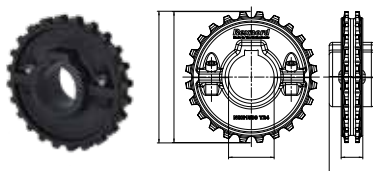


1505 Supergrip Side-Indent with Positrack

Split Sprockets NS1500



Hygienic Split Sprockets NSH1500



Sprocket Type	Code Number	Number of Teeth	Bore	Pitch Diameter	Outside Diameter	Hub Diameter
			B	E	F	A
			mm	mm	mm	mm

Split molded sprocket NSH1500

NSH1500-24T_30MM_1KW	10378150	24	30	114.9	115.5	40.0
NSH1500-24T_40MM_1KW	10378415	24	40			
NSH1500-32T_30MM_1KW	10378419	32	30	153.4	154.8	
NSH1500-32T_40MM_1KW	10378423	32	40			

NS1500 Not suitable in combination with FTDP, SGDP and SGSDP due to the Positrack lugs.

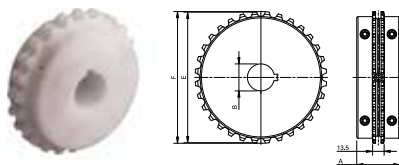
Round Bores

NS1500-24T_25MM_1KW_PA	10028510	24	25	114.9	115.5	40.0
NS1500-24T_30MM_1KW_PA	10028512	24	30			
NS1500-24T_35MM_1KW_PA	10331965	24	35			
NS1500-24T_40MM_1KW_PA	10028514	24	40			
NS1500-32T_25MM_1KW_PA	10331228	32	25	153.4	154.8	
NS1500-32T_30MM_1KW_PA	10028526	32	30			
NS1500-32T_35MM_1KW_PA	10331964	32	35			
NS1500-32T_40MM_1KW_PA	10028528	32	40			

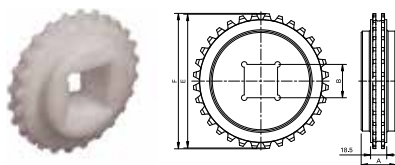
Square Bores

NS1500-24T_40MM_S_PA	10028516	24	40	114.9	115.5	40.0
NS1500-24T_60MM_S_PA	10333775	24	60			
NS1500-32T_40MM_S_PA	10028530	32	40	153.4	154.8	
NS1500-32T_60MM_S_PA	10028531	32	60			

Split Sprockets KUS1500



Classic Sprockets KU1500



Split Sprockets 1505 Machined

Round Bores

KUS1500-24T_25MM_1KW_PA	10331141	24	25	114.9	115.5	50.8
KUS1500-24T_30MM_1KW_PA	10131508	24	30			
KUS1500-24T_35MM_1KW_PA	10331889	24	35			
KUS1500-24T_40MM_1KW_PA	10131510	24	40			

Classic Sprockets 1505 Machined

Round Bores

KU1500-12T_30MM_1KW_PA	10331359	12	30	58.1	58.2	24.1
KU1500-16T_30MM_1KW_PA	10331361	16	30	77.1	77.7	31.8
KU1500-24T_30MM_1KW_PA	10331371	24	30	114.9	115.5	40.0
KU1500-24T_40MM_1KW_PA	10332089	24	40			
KU1500-32T_30MM_1KW2SS_PA	10071092	32	30	153.4	154.8	40.0
KU1500-32T_40MM_1KW_PA	10332094	32	40			

Square Bores

KU1500-24T_25MM_S_PA	10330971	24	25	114.9	115.5	40.0
KU1500-32T_40MM_S_PA	10332096	32	40	153.4	154.8	40.0

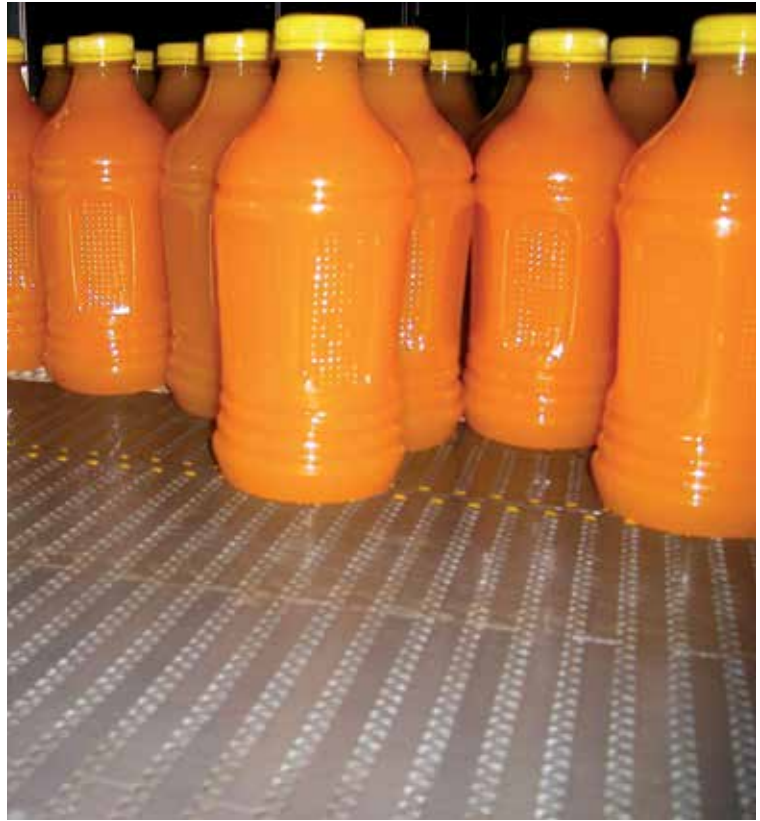
The 8500-Series ¾-inch pitch belt has several strong design features, making it suitable for amongst others beverage, packaging and food industry. The small belt pitch ensures a smooth operation. 8500-Series is available in a closed and an open execution. Mold-to-width executions are available with Tab guides for single line applications. As a standard the belts are supplied in high-performance acetal and in polypropylene.

Features

- Perfect product handling due to the small pitch and superior low friction HP material. The stiffness of the modules results in an optimum belt flatness.
- The small 19.05 mm pitch reduces the chordal action and permits the use of short transfer plates.
- Rounded outside edges for better side transfers and improved product handling.
- Twist-lock™ pin retention by means of a hinged plug prevents plug loss and allows easy pin access for installation and maintenance.
- 8500-Series belt is accompanied by FTM 1060, FGM 1050 or FT 1050 chainbelts, to make a perfect match between straight running and sideflexing conveyors.



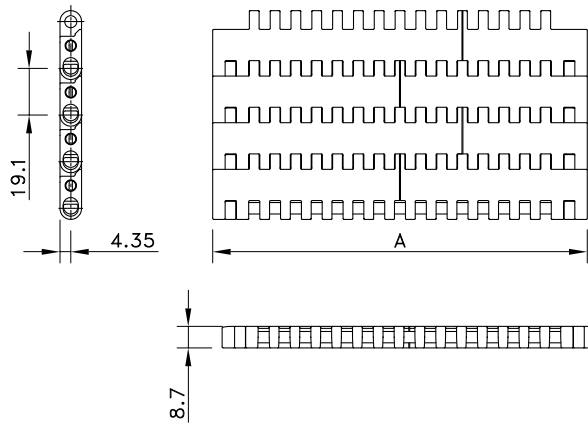
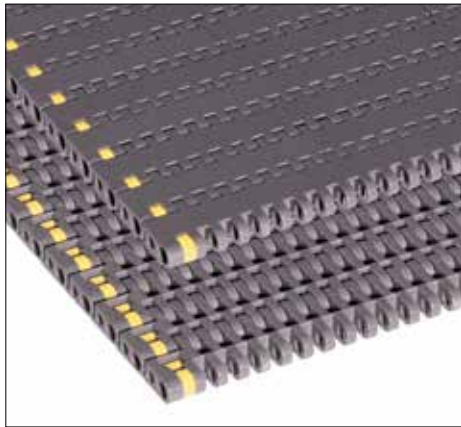
Empty 3-Piece cans on HP8506 K450 MTW



PET bottles on 8505 belt

Programme	
8505 Solid Top	Closed surface and high strength make it suitable for both glass and PET containers
8506 Perforated Top	22% Open area for optimum water- and airflow; suitable for amongst others can making and can processing environment
DTS®	Single module Dynamic Transfer System for left- or right-hand self-clearing transfers to avoid dead plates at 90° transfers; as a standard equipped with Positrack guiding
Belt Accessories	Flights, sideguards and hold-down tabs for special applications in food industry

Solid Top 8505



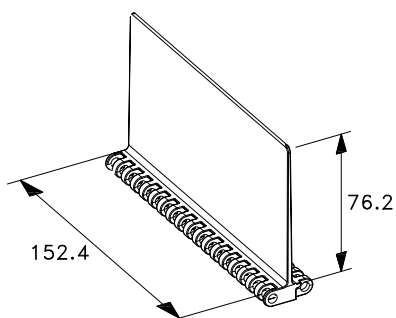
Assembly	Belt Type	Code Number*	Temperature range °C		Working Load (max.) N/m (21°C)	Weight kg/m ²	Backflex Radius (min.) mm
			Dry	Wet			
HP-Acetal with Polypropylene Pins							
Standard	HP 8505	I8505HPKxx	-40 to +80	-40 to +65	29000	8.89	25
DTS Left/Positrack	HP8505DTS-4.5IN_MTW_PT_LH	10028436					
DTS Right/Positrack	HP8505DTS-4.5IN_MTW_PT_RH	10028437					
WHT-Polypropylene with Polypropylene Pins							
Standard	WHT 8505	I8505HTKxx	5 to 105	5 to 105	16000	5.96	25
FRPLUS - High performance flame retardant polymer - Acetal Pins							
Standard	FRPLUS 8505	I8505FRPLUSKxx	-18 to +82	-18 to +60	16000	9.77	25

* In code numbers xx corresponds with the belt width (A). Standard widths of these belts begin at 6", with 6" increments up to 120"; special widths begin at 2 1/3" with 1/8" increments. See also page 208.

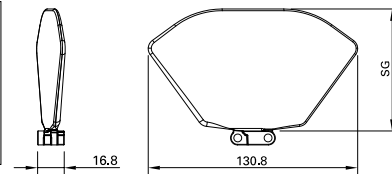
If you require flights, sideguards or tab guides, please describe the belt by choosing from the options listed in the 2nd column of the table:

Material	HP or WHT or FRPLUS	
Belt type	8505	
Width (A)	F1IN or F2IN or F3IN	Belts with flights have a minimal width of 6"
Flights	F3 or F2 or F1	Standard height of 3", 2", 1" or special height in mm
Pitch between flights	T..P	Flights on every .. th row; with sideguards it must correspond to an even number of rows
Flight side-indent	N.. (in inches)	Any indent with increments of 0.25IN is possible
Sideguards	S2IN or S1IN	Standard height of 2" or 1"
Tab guides	D..	TAB1 is only one row; TAB2 is two rows
Distance between Tabs		Minimal 3" with increments of 1/3"
Pitch between Tabs	D..P	Must correspond to an even number of rows

Example: HP 8505 K16 1/3 F3 T4P N2 1/3 TAB2 D3 D4P is a 8505 Solid Top belt, made of dark grey acetal, width 16 1/3", 3" high flights on every 4th row at 2 1/3" from the sides, no sideguards and 2 rows of tabs with a distance in-between of 3" on every 4th row.

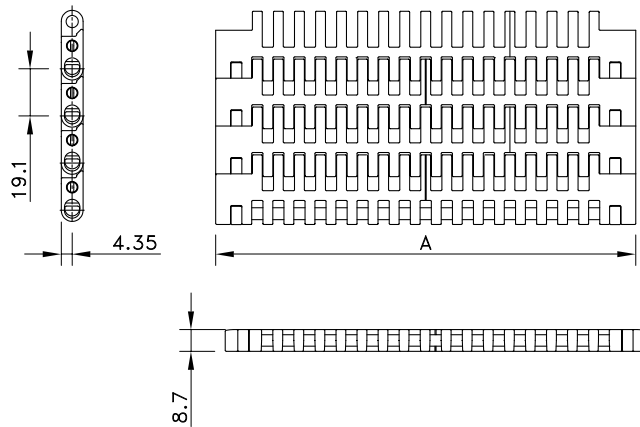
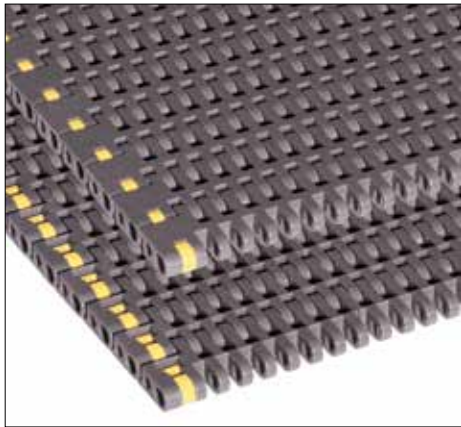


Sideguards 8500-series



Flight 8500-series for inclined applications

Perforated Top 8505



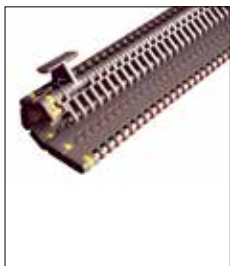
Assembly	Belt Type	Code Number*	Temperature range °C		Working Load (max.) N/m (21°C)	Weight kg/m ²	Backflex Radius (min.) mm
			Dry	Wet			
HP-Acetal with Polypropylene Pins							
Standard	HP 8505	I8506HPKxx	-40 to +80	-40 to +65	29000	8.89	25
DTS Left/Positrack	HP8505DTS-4.5IN_MTW_PT_LH	10028436					
DTS Right/Positrack	HP8505DTS-4.5IN_MTW_PT_RH	10028437					
WHT-Polypropylene with Polypropylene Pins							
Standard	WHT 8506	I8506WHTKxx	5 to 105	5 to 105	16000	5.96	25
FRPLUS - High performance flame retardant polymer - Acetal Pins							
Standard	FRPLUS	I8505FRPLUSKxx	-18 to +82	-18 to +60	16000	9.67	25

* In code numbers xx corresponds with the belt width (A). Standard widths of these belts begin at 6", with 6" increments up to 120"; special widths begin at 2 1/3" with 1/8" increments. See also page 208.

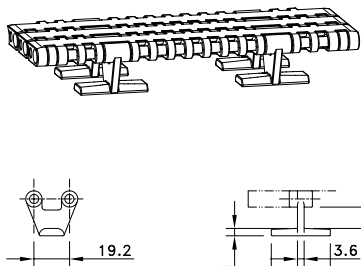
If you require flights, sideguards or tab guides, please describe the belt by choosing from the options listed in the 2nd column of the table:

Material	HP or WHT or FRPLUS	
Belt type	8506	
Width (A)	K - xx IN	Belts with flights have a minimal width of 6"
Flights	F3 or F2 or F1	Standard height of 3", 2", 1" or special height in mm
Pitch between flights	T..P	Flights on every .. th row; with sideguards it must correspond to an even number of rows
Flight side-indent	N.. (in inches)	Minimal 1 1/3" with 1/3" increments; in case of sideguards indents 1 1/2" or 2 1/4" only
Sideguards	S2IN / S3IN	Standard height of 3", 2" or 1"
Tab guides	TAB1 or TAB2	TAB1 is only one row; TAB2 is two rows
Distance between Tabs	D..	Minimal 3" with increments of 2/3"
Pitch between Tabs	D..P	Must correspond to an even number of rows

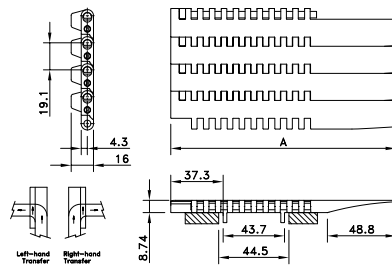
Example: WHT 8506 K7.50 SG2 N1 1/2 is a 8506 Perforated Top belt, made of white Polypropylene, width 7.5", 2" high sideguards at 1 1/2" from the sides. No flights, tab guides and DTS.



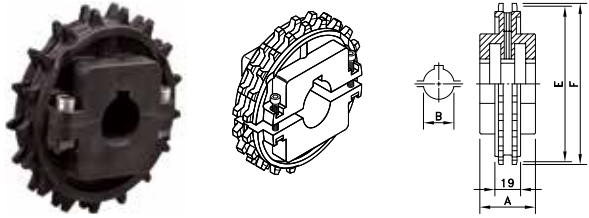
Tab guide 8500-series



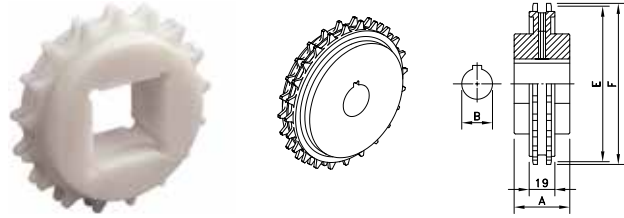
Dynamic transfer system 8500-series



Split Sprockets



Classic Sprockets



Sprocket Type	Code Number	Number of Teeth	Bore	Pitch Diameter	Outside Diameter	Hub Width
			B	E	F	A
			mm	mm	mm	mm

Split Sprockets

Round Bores

NS8500-17T_25MM_1KW_PA	10028670	17	25	104.7	105.4	39
NS8500-17T_30MM_1KW_PA	10028671	17	30			
NS8500-17T_35MM_1KW_PA	10331962	17	35			
NS8500-21T_25MM_1KW_PA	10028678	21	25	129.0	130.0	
NS8500-21T_30MM_1KW_PA	10028679	21	30			
NS8500-21T_35MM_1KW_PA	10331963	21	35			
NS8500-21T_40MM_1KW_PA	10028680	21	40	147.3	148.3	
NS8500-24T_25MM_1KW_PA	10028695	24	25			
NS8500-24T_30MM_1KW_PA	10028696	24	30			
NS8500-24T_35MM_1KW_PA	10331959	24	35	153.4	154.7	
NS8500-25T_25MM_1KW_PA	10028707	25	25			
NS8500-25T_30MM_1KW_PA	10019777	25	30			
NS8500-25T_35MM_1KW_PA	10331960	25	35			

Square Bores

NS8500-17T_25MM_S_PA	10331199	17	25	104.7	105.4	39
NS8500-17T_30MM_S_PA	10331599	17	30			
NS8500-17T_35MM_S_PA	10370600	17	35			
NS8500-21T_25MM_S_PA	10331200	21	25	129.0	130.0	
NS8500-21T_40MM_S_PA	10028681	21	40			
NS8500-21T_60MM_S_PA	10187289	21	60			
NS8500-24T_25MM_S_PA	10331201	24	25	147.3	148.3	
NS8500-24T_35MM_S_PA	10376561	24	35			
NS8500-25T_25MM_S_PA	10331202	25	25			
NS8500-25T_30MM_S_PA	10331602	25	30	153.4	154.7	
NS8500-25T_35MM_S_PA	10370601	25	35			

Classic Sprockets

Round Bores

KU8500-24T_30MM_1KW_PA	10071597	24	30	147.3	148.3	35
KU8500-25T_50MM_1KW_PA	10332943	25	50	153.4	154.7	

Square Bores

KU8500-17T_40MM_1KW_PA	10332361	17	40	104.7	105.4	35
KU8500-25T_40MM_1KW_PA	10332363	25	40	153.4	154.7	

The 5930-Series $\frac{3}{4}$ -inch pitch belt is intended for light to medium loads in can manufacturing, can handling and food industry applications. The belts ensure a smooth operation. 5930-Series is available in a closed and an open execution. As a standard the belts are supplied in polypropylene and acetal.

Features

- The 19.05 mm pitch reduces chordal action.
- The small pitch permits the use of short transfer plates.
- Smooth edges and closed hinges ensure perfect product handling.
- Pin retention by means of one plugged end module and one blind end module.
- 5930-Series belts with flights, sideguards and hold-down tabs have been replaced by 8500-series; this series is identical in pitch, thickness and standard widths.

Programme	
5935 Solid Top	Closed surface; suitable for PET containers and otherwise lightweight products
5936 Perforated Top	16% Open area for optimum water- and airflow; suitable for amongst others can making and can processing
5935 Vacuum Top	Solid Top execution with small holes for amongst others vacuum conveyors in can manufacturing lines

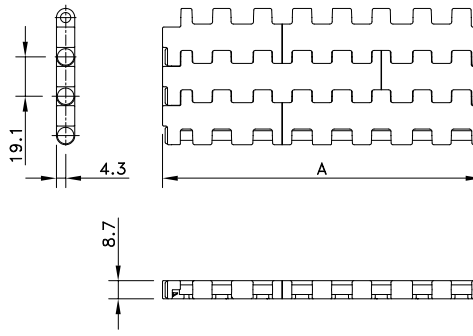
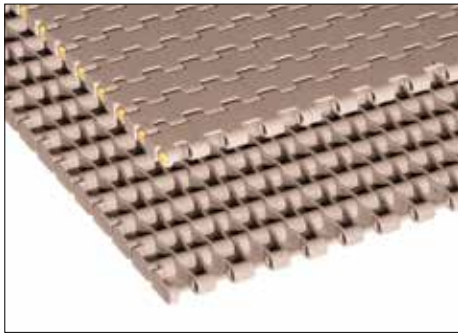


Can washer equipped with 5936 Series Chain



Empty cans on a 5935 Vacuum chain

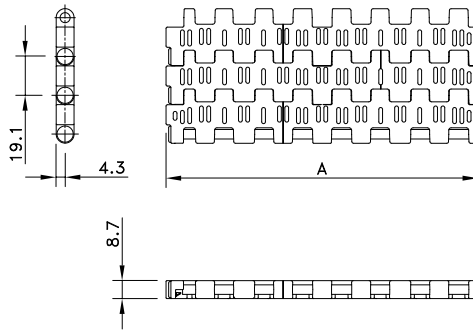
Solid Top 5935



Assembly	Belt Type	Code Number*	Temperature range °C		Working Load (max.) N/m (21°C)	Weight kg/m ²	Backflex Radius (min.) mm
			Dry	Wet			
HP-Acetal With Polyester Pins							
Standard	HP 5935	I5935HPKxx	-40 to +80	-40 to +65	13000	6.35	25
Standard	HP 5935 K24		-40 to +80	-40 to +65	13000	6.35	25
Standard	HP 5935 K48		-40 to +80	-40 to +65	13000	6.35	25
Standard	HP 5935 K96		-40 to +80	-40 to +65	13000	6.35	25
LF-Acetal with Polypropylene Pins							
Standard	LF 5935	I5935LFKxx	+4 to +80	-40 to +65	13000	6.35	25
HT-POLYPROPYLENE WITH POLYPROPYLENE PINS							
Standard	HT 5935	I5935HTKxx	+4 to +104	+4 to +104	7000	4.92	25
FRPLUS - HIGH PERFORMANCE FLAME RETARDANT POLYMER WITH ACETAL PINS							
Standard	FRPLUS 5935	I5935FRPLUS	-18 to +82	-18 to +60	7000	6.99	25

* In code numbers xx corresponds with the belt width (A). Standard widths of these belts begin at 9" with 3" increments up to 120"; special widths begin at 3" with ¼" increments.

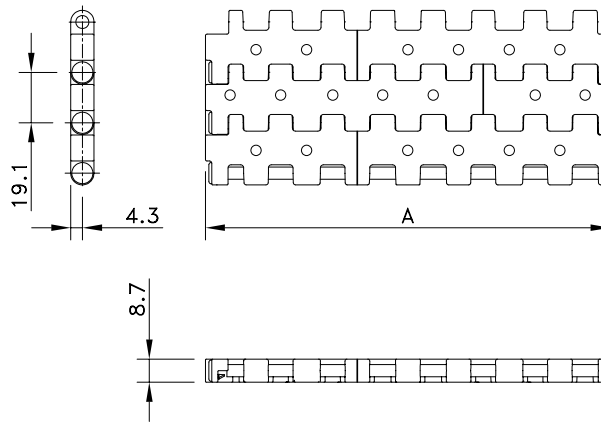
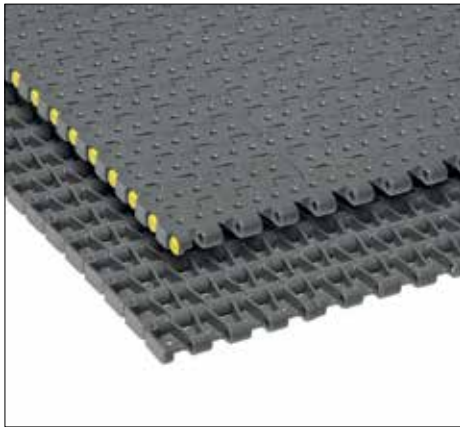
Perforated Top 5936



Assembly	Belt Type	Code Number*	Temperature range °C		Working Load (max.) N/m (21°C)	Weight kg/m ²	Backflex Radius (min.) mm
			Dry	Wet			
HP-Acetal With Polyester Pins							
Standard	HP 5936	I5936HPKxx	-40 to +80	-40 to +65	13000	5.90	25
Standard	HP 5936 K24	I5936HP653743	-40 to +80	-40 to +65	13000	5.90	25
Standard	HP 5936 K48	I5936HP653753	-40 to +80	-40 to +65	13000	5.90	25
Standard	HP 5936 K96	I5936HP653763	-40 to +80	-40 to +65	13000	5.90	25
LF-Acetal with Polypropylene Pins							
Standard	LF 5936	I5936LFKxx	+4 to +80	+4 to +65	13000	5.90	25
HT-Polypropylene With Polypropylene Pins							
Standard	HT 5936	I5936HTKxx	+4 to +104	+4 to +104	7000	4.49	25

* In code numbers xx corresponds with the belt width (A). Standard widths of these belts begin at 9" with 3" increments up to 120"; special widths begin at 3" with ¼" increments. See also page 211.

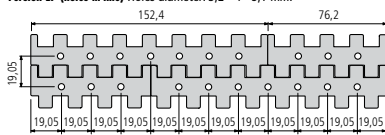
Vacuum Top 5935



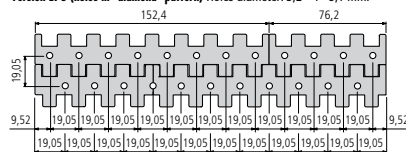
Assembly	Belt Type	Temperature range °C		Working Load (max.) N/m (21°C)	Weight kg/m ²	Backflex Radius (min.) mm
		Dry	Wet			
HP-Acetal with Polypropylene Pins						
Standard	HP 5935 V	-40 to +80	-40 to +65	13000	6.35	25
LF-Acetal with Polypropylene Pins						
Standard	LF 5935 V	-40 to +80	-40 to +65	13000	6.35	25
HT-Polypropylene with Polypropylene Pins						
Standard	HT 5935 V	5 to 105	5 to 105	7000	4.92	25
FRPLUS - High performance flame retardant polymer - Acetal Pins						
Standard	FRPLUS 5935 V	-18 to +82	-18 to +60	7000	6.93	25

As the patterns of the holes will be made to order, these belts will be supplied upon request.

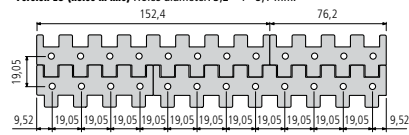
Version E7 (holes in line) Holes diameter: 3,2 - 4 - 5,1 mm.



Version E78 (holes in "diamond" pattern) Holes diameter: 3,2 - 4 - 5,1 mm.



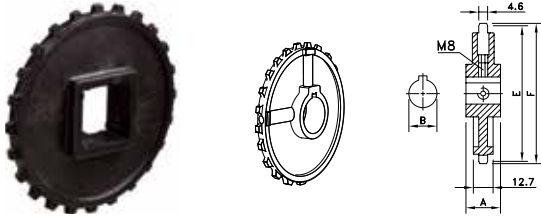
Version E8 (holes in line) Holes diameter: 3,2 - 4 - 5,1 mm.



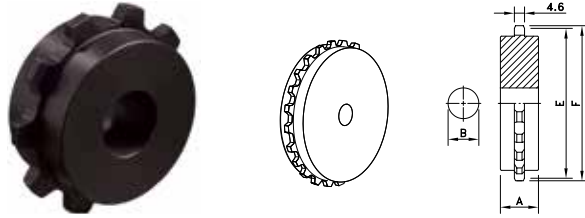
Hole Diameter		Hole Spacing		Holes per Module	Open Area
in	mm	in	mm		
1/8	3.18	3/8	9.53	15	6.2%
1/8	3.18	3/4	19.05	8	4.3%
9/64	3.57	3/4	19.05	8	4.9%
9/64	3.57	3/8	9.53	15	7.3%
5/32	3.97	3/4	19.05	8	5.5%
3/16	4.76	3/4	19.05	8	7.0%
7/32	5.56	3/4	19.05	8	8.8%
1/4	6.35	3/4	19.05	8	10.8%

Standard hole sizes listed per 6 in (152.4 mm) module. All vacuum holes are centered on the chain.

Classic Sprockets Moulded



Classic Sprockets Machined

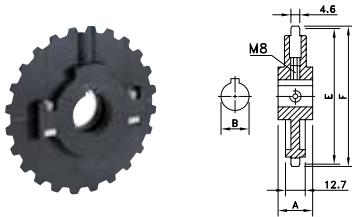


Sprocket Type	Code Number	Number of Teeth	Bore	Pitch Diameter	Outside Diameter	Hub Width
			B	E	F	A
			mm	mm	mm	mm

Classic Sprockets Injection Moulded

Round Bores						
N5936-10T_25MM_1KW2SS_POM	10028485	10	25	62.2	63.5	25
N5936-24T_25MM_1KW2SS_POM	10028491	24	25	147.3	149.2	
N5936-24T_30MM_1KW2SS_POM	10028492	24	30			
N5936-24T_35MM_1KW2SS_POM	10333740	24	35			
N5936-24T_40MM_1KW2SS_POM	10028493	24	40			
Square Bores						
N5936-24T_40MM_S_POM	10013547	24	40	147.3	149.2	25
N5936-24T_50MM_S_POM	10013549	24	50			
N5936-24T_65MM_S_POM	10013551	24	65			
N5936-25T_40MM_S_POM	10027394	25	40	153.4	156.2	25
N5936-25T_65MM_S_POM	10027396	25	65			

Split Sprockets Moulded



Sprocket Type	Code Number	Number of Teeth	Bore	Pitch Diameter	Outside Diameter	Hub Width
			B	E	F	A
			mm	mm	mm	mm

Split Sprockets Injection Moulded

Round Bores						
NS5936-24T_25MM_1KW_PA	10334028	24	25	147.3	149.2	25
NS5936-24T_30MM_1KW_PA	10334029	24	30			
NS5936-24T_35MM_1KW_PA	10334030	24	35			
NS5936-24T_40MM_1KW_PA	10202084	24	40			
Square Bores						
NS5936-24T_40MM_S_PA	10333806	24	40	147.3	149.2	25

The 1000-Series 1-inch pitch belt combines strong design features with an all-round pitch, making it a versatile belt; it is suitable for amongst others beverage, packaging and food industry. Mold-to-width executions are available with Positrack guiding for single line applications and packaging machines. 1000-Series can be equipped with flights for food industry applications. As a standard the belts are supplied in low friction acetal and polypropylene for beverage.

Features

- Versatile 1-inch pitch and the rigid cross-rib design result in optimum flatness and therefore superior product handling.
- The clip pin retention system in combination with the 2 module system makes the belt very easy to install and maintain.
- Rounded outside edges for better side transfers and improved product handling.
- 1000-Series belt is accompanied by FTM 1060 and FGM 1040 or FT 1050 chainbelts, to make a perfect match between straight running and sideflexing conveyors.

Programme	
1000 Flat Top (FT)	Closed surface; suitable for both glass and PET containers due to high strength. The absence of gaps prevents small (glass) particles to jam in the surface of the belt; the fully closed surface gives maximum support to the products conveyed
1000 Flush Grid (FG)	40% Open area; this guarantees optimum water- and airflow and allows pollution to fall through and maintain a clean contact surface between products and the belt. Suitable for amongst others can making and can processing
1000 Raised Rib (RR)	40% Open area; in combination with the special Click-Comb fingerplates the Raised Rib surface creates smooth transfers on accumulation tables, (de)palletizers and discharge tables
1000 Raised Rib narrow (RR)	13% Open area; suitable for packaging machines
1000 Raised Rib Railtrack (RRR)	1000 RR narrow belts with Railtrack, for optimum guiding and economic conveyor set-up
1000 SuperGrip (SG)	High friction rubber surface to handle packages on inclined and declined conveyors. Standard angles up to 20°
1000 LBP	Low Backline Pressure execution with low noise rollers, securing optimum handling of vulnerable packed products, such as shrink-wrapped trays with and without cardboard bottom
FreeFlow	Dynamic Transfer System for complete elimination of dead plates at 90° transfers, creating self-clearing transfers
Positrack	Lugs for accurate and reliable guiding of mass handling and single track belts, resulting in optimum product handling
Belt accessories	Flights to handle bulk food stuff on inclined and declined conveyors; fingerplates RR 1000 and RR 1000 narrow for precise transfers

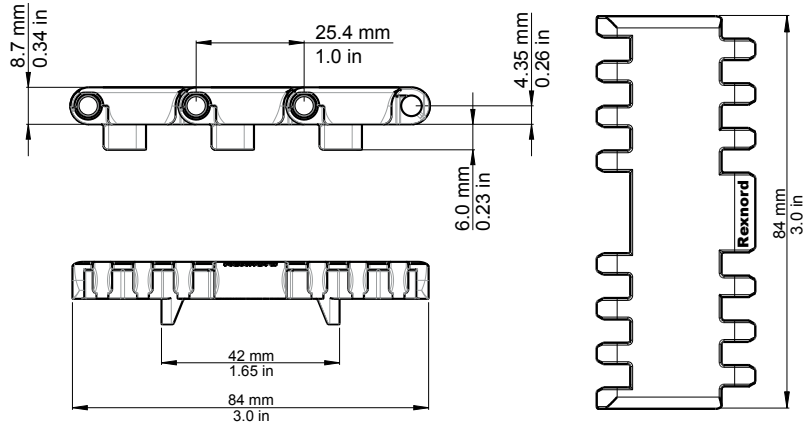


Bottle conveyor with FT1000 DRY-PT MatTop® Chain



Bottle conveyor with FT1000 PSX MatTop® Chain

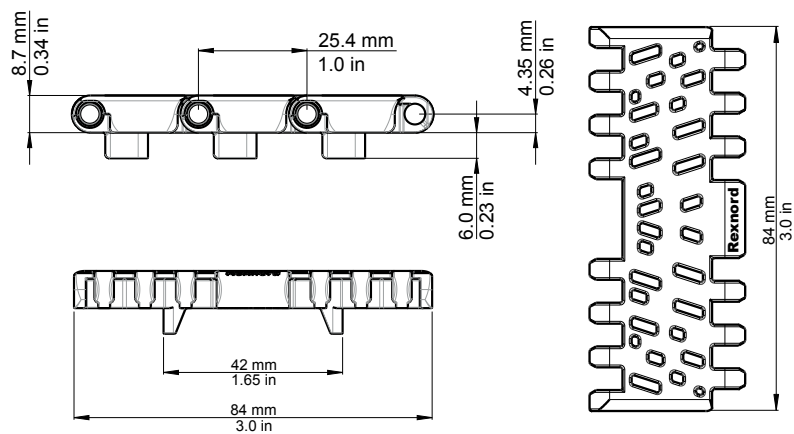
FlatTop 1001-84MM



Rexnord 1001-84mm Series FlatTop Chain Material Overview

Chain Type	Material	Code Number	Working Load (max)	Weight	Backflex Radius (min)	Temperature Range °C	
			N/m / lbs	kg/m / lbs/ft	mm / in	Dry	Wet
DRY-PT1001FT-84MM_MTW_PT-1DP	DRY-PT	10522806	337 / 1500	0.40 / 0.59	1.00 / 25.4	4 to 80 / 4 to 65	
PSX1001FT-84MM_MTW_PT-1DP	PSX	10522807	337 / 1500	0.40 / 0.59	1.00 / 25.4		
XLG1001FT-84MM_MTW_PT-1DP	XLG	10522808	337 / 1500	0.40 / 0.59	1.00 / 25.4		
DKA1001FT-84MM_MTW_PT-1DP	DKA	10522795	337 / 1500	0.40 / 0.59	1.00 / 25.4		
GLA1001FT-84MM_MTW_PT	GLA	10803387	337 / 1500	0.40 / 0.59	1.00 / 25.4		-18 to 60

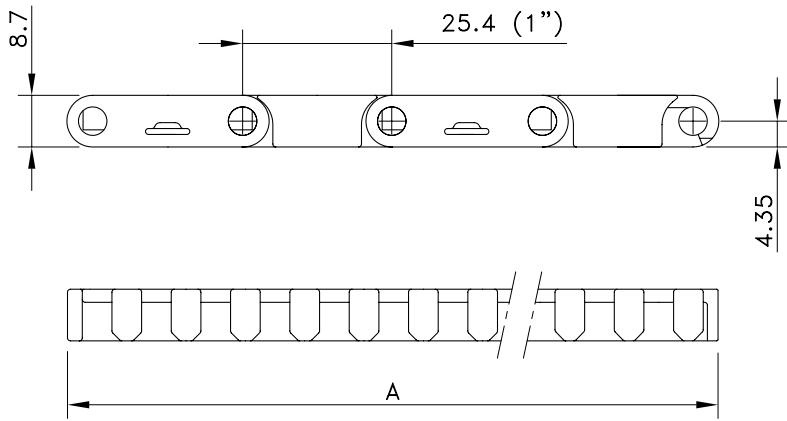
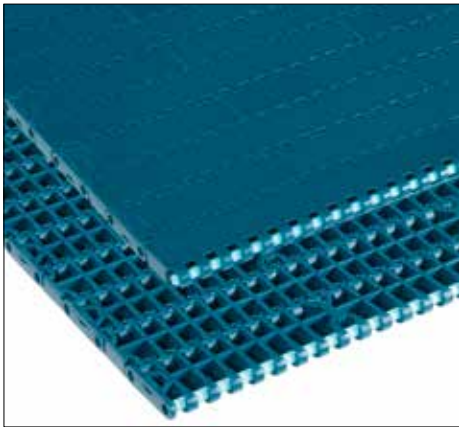
Flush Grid 1001-84MM



Rexnord 1001-84mm Series Flush Grid Chain Material Overview

Chain Type	Material	Code Number	Working Load (max)	Weight	Backflex Radius (min)	Temperature Range °C	
			N/m / lbs	kg/m / lbs/ft	mm / in	Dry	Wet
DRY-PT1001FG-84MM_MTW_PT-1DP	DRY-PT	10522829	337 / 1500	0.38 / 0.57	1.00 / 25.4	4 to 80 / 4 to 65	
PSX1001FG-84MM_MTW_PT-1DP	PSX	10522830	337 / 1500	0.38 / 0.57	1.00 / 25.4		
XLG1001FG-84MM_MTW_PT-1DP	XLG	10522831	337 / 1500	0.38 / 0.57	1.00 / 25.4		
HP1001FG-84MM_MTW_PT-1DP	HP	10522834	337 / 1500	0.38 / 0.57	1.00 / 25.4		
DKA1001FG-84MM_MTW_PT-1DP	DKA	10522828	337 / 1500	0.38 / 0.57	1.00 / 25.4		

FlatTop 1000

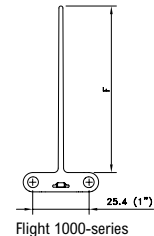
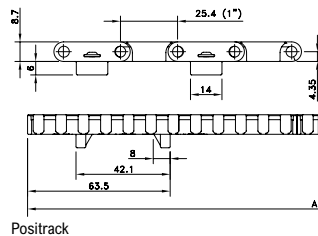


Assembly	Belt Type	Code Number*	Temperature range °C		Working Load (max.) N/m (21°C)	Weight kg/m ²	Backflex Radius (min.) mm
			Dry	Wet			
XLG-Acetal with Polypropylene Pins (84 has PBT pins)							
Standard	FT 1000 XLG	817.30.xx	-40 to +82	-40 to +66	22000	6.50	25
Double positrack	FTDP 1000 XLG	873.27.xx					
Positrack 2 sides, freeflow 1 side	FFTP 1000 XLG 2xP	873.07.xx					
PSX Advanced Performance Polymer Alloy with PBT pins							
Standard	FT 1000 PSX	873.78.xx	-30 to +80	up to 65	22000	6.50	25
Double positrack	FTDP 1000 PSX	873.79.xx					
Positrack 2 sides, freeflow 1 side	FFTP 1000 PSX 2xP	873.82.xx					
WHT-Polypropylene with Polypropylene Pins							
Standard	WHT 1000 FT	811.80.xx	4 to 104	4 to 104	11000	4.30	25
DRY-PT Advanced Performance Polymer Alloy with PBT pins							
Standard	FT 1000 DRY-PT	DRYPT1000FT	-30 to 80	up to 65	22000	6.50	25
Double positrack	FTDP 1000 DRY-PT	DRYPT1000FT					

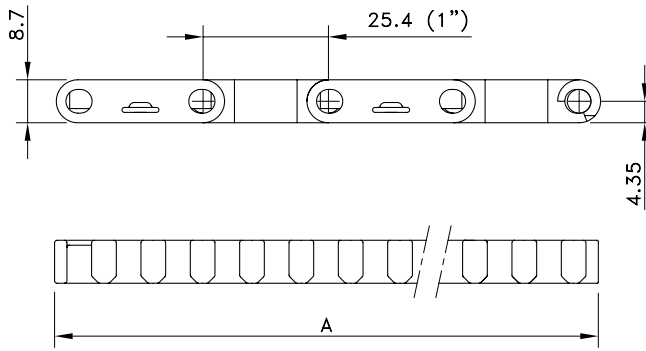
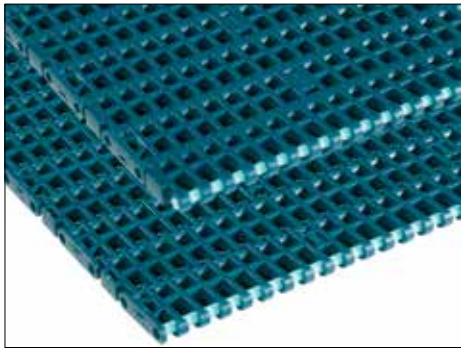
* In code numbers xx corresponds with the belt width (A), starting with 10 for 85 mm, 11 for 170 mm and so on with 85 mm increments, or optionally 5 mm, up to 6120 mm; see also page 208. If you need flights, describe the belt by choosing from the required options listed in the 2nd column of the table:

Material	XLG, PSX, WHT or DRY-PT	
Belt type	1000 FT or 1000 FTDP	(Double) Positrack not possible for WLT, BLT and WHT
Width (A)	F3IN or F2IN or F1IN	Belts with flights have a minimal width of 130 mm with 10 mm increments
Flights	F3 or F2 or F1	Standard height of 3", 2", 1" or special height in mm
Pitch between flights	T..P	Flights on every .. th row (must correspond to an even number of rows)
Flight side-indent	N.. (in mm)	Minimal 40 mm with 5 mm increments

Example: WSM1000FT-430MM_F50MM_T6P_N45MM_PT-1DP is a 1000 Flat Top belt with Double Positrack, made of white acetal, special width 430 mm, special 50 mm high flights on every 6th row at 45 mm from the sides



Flush Grid 1000

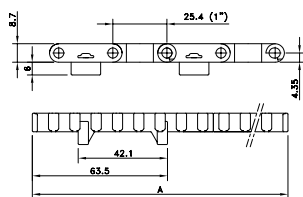


Assembly	Belt Type	Code Number*	Temperature range °C		Working Load (max.) N/m (21°C)	Weight kg/m ²	Backflex Radius (min.) mm
			Dry	Wet			
XLG-Acetal with Polypropylene Pins (84 has PBT pins)							
Standard	FG 1000 XLG	817.40.xx	-40 to +82	-40 to +66	22000	5.40	25
Double Positrack	FGDP 1000 XLG	874.43.xx					
Positrack 1 side, freeflow 1 side	FFGP 1000 XLG 1xP	874.08.xx					
Positrack 2 sides, freeflow 1 side	FFGP 1000 XLG 2xP	874.07.xx					
PSX Advanced Performance Polymer Alloy with PBT pins							
Standard	FG 1000 PSX	874.63.xx	-30 to +80	up to 65	22000	5.40	25
Double Positrack	FGDP 1000 PSX	874.64.xx					
Positrack 1 side, freeflow 1 side	FFGP 1000 PSX 1xP	874.68.xx					
Positrack 2 sides, freeflow 1 side	FFGP 1000 PSX 2xP	874.69.xx					
WHT-Polypropylene with Polypropylene Pins							
Standard	WHT 1000 FG	811.90.xx	4 to 104	4 to 104	11000	3.50	25
BHT-Polypropylene with Polypropylene Pins							
Standard	BHT 1000 FG	810.08.xx	4 to 104	4 to 104	11000	3.50	25

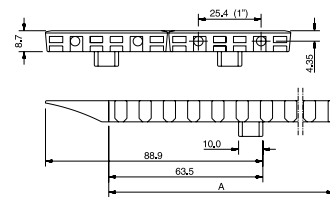
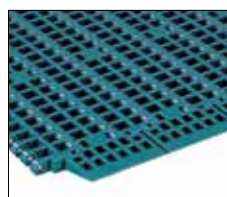
* In code numbers xx corresponds with the belt width (A), starting with 10 for 85 mm, 11 for 170 mm and so on with 85 mm increments, or optionally 5 mm, up to 6120 mm.

If you need flights, describe the belt by choosing from the required options listed in the 2nd column of the table:

Material	XLG, PSX, WHT or BHT	
Belt type	1000 FG or 1000 FGDP	(Double) Positrack not possible for WLT, BLT, WHT, BHT and SMB
Width (A)	F3IN or F2IN or F1IN	Belts with flights have a minimal width of 130 mm with 10 mm increments
Flights	F3 or F2 or F1	Standard height of 3", 2", 1" or special height in mm
Pitch between flights	T..P	Flights on every .. th row (must correspond to an even number of rows)
Flight side-indent	N.. (in mm)	Minimal 40 mm with 5 mm increments



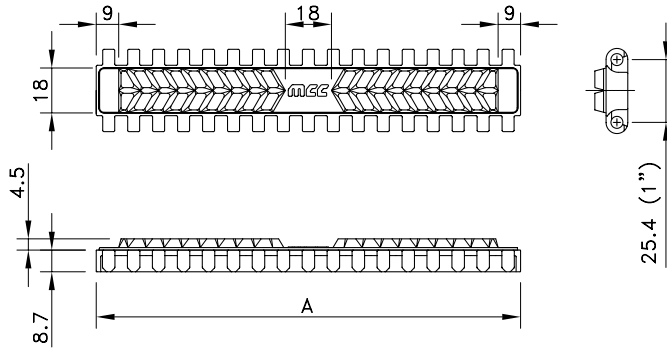
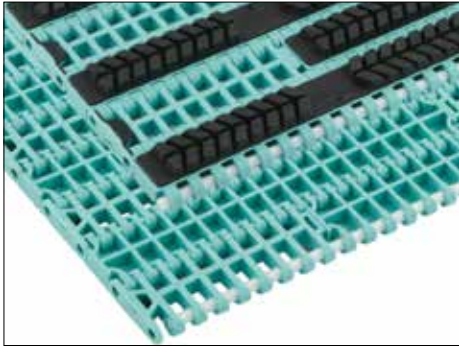
Positrack



Freeflow 1000-series

1000-Series

Supergrip 1000



Assembly	Belt Type	Code Number*	Width A	Temperature range °C		Working Load (max.) N/m (21°C)	Weight kg/m ²	Backflex Radius (min.) mm
			mm	Dry	Wet			

XLG-Acetal with Polypropylene Pins

Standard	SG 1000 XLG 170	875.30.11	170	4 to 65	4 to 65	19000	7.34	30
	SG 1000 XLG 255	875.30.12	255				7.70	
	SG 1000 XLG 340	875.30.13	340				7.88	
	SG 1000 XLG 425	875.30.14	425				7.99	
	SG 1000 XLG 510	875.30.15	510				8.06	
	SG 1000 XLG 595	875.30.16	595				8.12	
	SG 1000 XLG 680	875.30.17	680				8.16	
Double positrack	SGDP 1000 XLG 170	875.59.11	170	4 to 65	4 to 65	19000	7.34	30
	SGDP 1000 XLG 255	875.59.12	255				7.70	
	SGDP 1000 XLG 340	875.59.13	340				7.88	
	SGDP 1000 XLG 425	875.59.14	425				7.99	
	SGDP 1000 XLG 510	875.59.15	510				8.06	
	SGDP 1000 XLG 595	875.59.16	595				8.12	
	SGDP 1000 XLG 680	875.59.17	680				8.16	

WHT-Polypropylene with PBT Pins

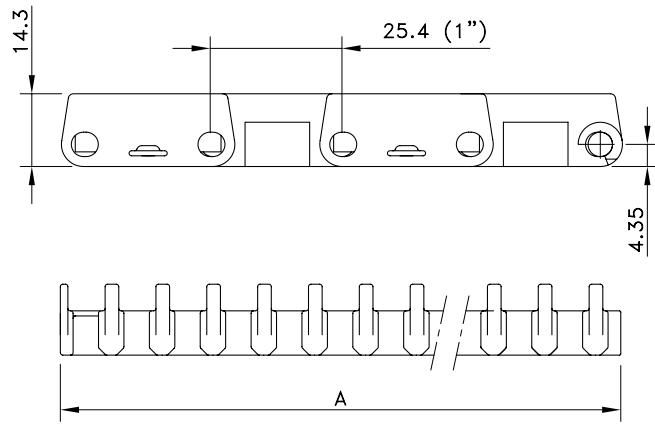
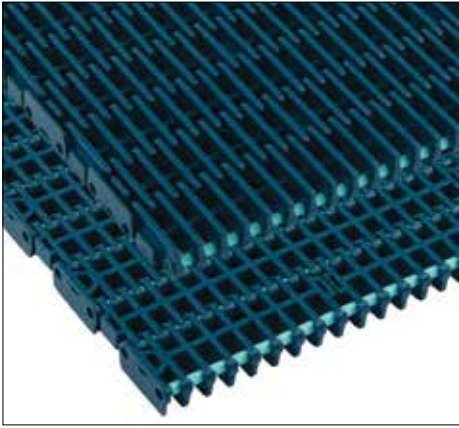
Standard	SG 1000 WHT 255	875.25.12	255	4 to 104	4 to 104	11000	5.33	30
	SG 1000 WHT 340	875.25.13	340				5.50	
	SG 1000 WHT 425	875.25.14	425				5.60	
	SG 1000 WHT 510	875.25.15	510				5.66	
	SG 1000 WHT 595	875.25.16	595				5.71	
	SG 1000 WHT 680	875.25.17	680				5.75	

Special widths begin at 85 mm with 5 mm increments. Wider belts are available upon request.

Standard 100% rubber; other percentages can be supplied upon request.

Rubber top is a black elastomere, with a hardness of 40 (XP) or 50 (XLG) or 60 (WHT material has a white elastomere Rubber top) shore A.

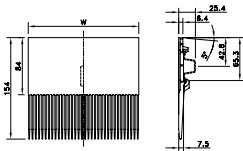
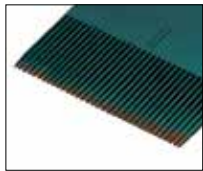
Raised Rib 1000



Assembly	Belt Type	Code Number*	Temperature range °C		Working Load (max.) N/m (21°C)	Weight kg/m ²	Backflex Radius (min.) mm
			Dry	Wet			
XLG-Acetal with Polypropylene Pins							
Standard	XLG1000RR	817.10.xx	4 to 80	4 to 65	22000	7.95	50

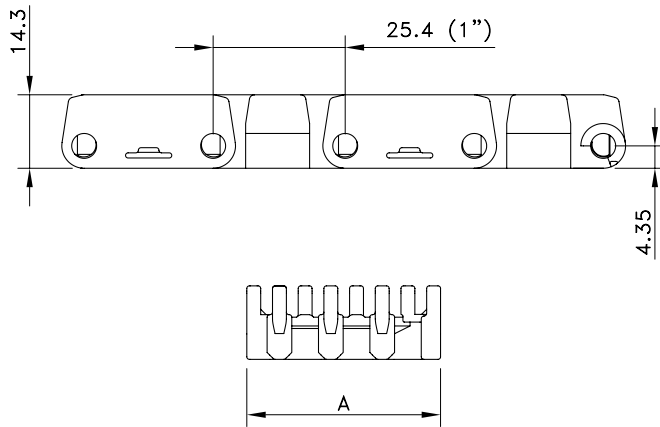
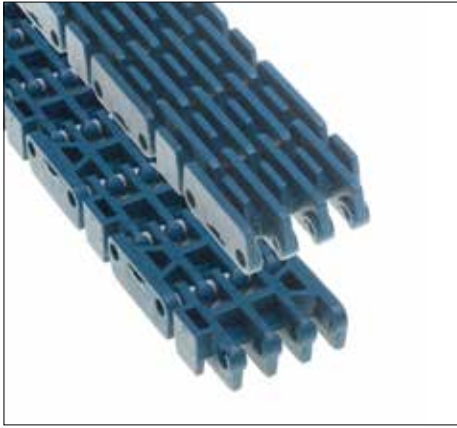
* In code numbers xx corresponds with the belt width (A), starting with 10 for 85 mm, 11 for 170 mm and so on with 85 mm increments, up to 6120 mm; see also page 208. Special widths begin at 85 mm with 5 mm increments.

Fingerplates Raised Rib



Type	Code Number	Weight	Width W	Length
		kg	mm	mm
XLG-Acetal				
TRAN PLT COMB XLG1000 154X170MM	10146446	0.14	168	154
TRAN PLT COMB XLG1000 154X85MM	10146445	0.07	83	

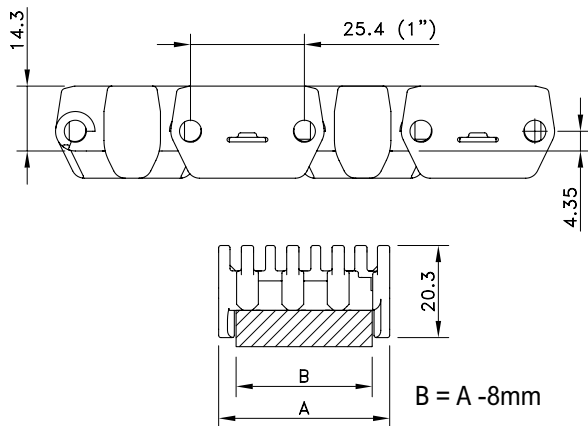
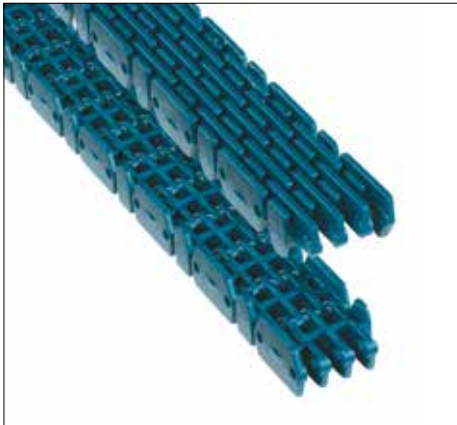
Raised Rib 1000 Narrow



Assembly	Belt Type	Code A Number	Width A	Temperature range °C		Working Load (max.) N/m (21°C)	Weight kg/m ²	Backflex Radius (min.) mm
			mm	Dry	Wet			
XLG-Acetal with PBT Pins								
Standard	XLG1000RR-28MM_MTW	10147974	28	-30 to +80	up to 65	400	0.35	50
	XLG1000RR-38MM_MTW	10147972	38	-30 to +80	up to 65	400	0.39	
	XLG1000RR-48MM_MTW	10147973	48	-30 to +80	up to 65	600	0.48	

Standard length: 6.096 m - 20 feet.

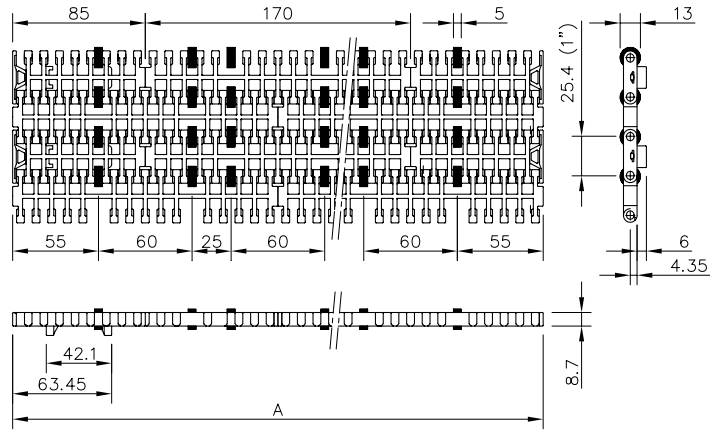
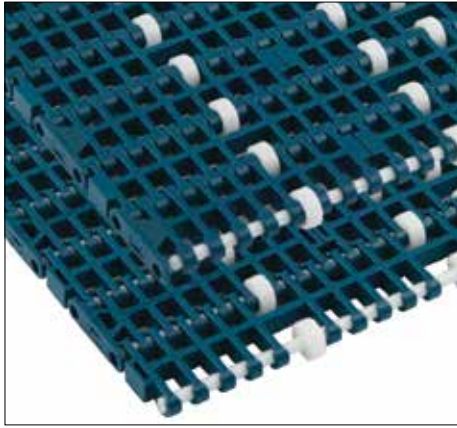
Raised Rib 1000 Railtrack Narrow



Assembly	Belt Type	Code Number	Width A	Temperature range °C		Working Load (max.) N/m (21°C)	Weight kg/m ²	Backflex Radius (min.) mm
			mm	Dry	Wet			
XLG-Acetal with PBT Pins								
Standard	XLG1000RRR-28MM_MTW	10147971	28	-30 to +80	up to 65	200	0.33	50
	XLG1000RRR-38MM_MTW	10147968	38	-30 to +80	up to 65	400	0.43	
	XLG1000RRR-48MM_MTW	10147969	48	-30 to +80	up to 65	600	0.53	
	XLG1000RRR-58MM_MTW	10147970	58	-30 to +80	up to 65	800	0.62	

Standard length: 6.096 m - 20 feet.

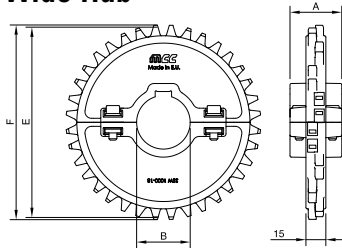
LBP 1000



Assembly	Belt Type	Code Number*	Temperature range °C		Working Load (max.) N/m (21°C)	Weight kg/m ²	Backflex Radius (min.) mm
			Dry	Wet			
XLG-Acetal with PBT Pins							
Double Positrac	LBPDP 1000 XLG	874.47.xx	4 to 80	4 to 65	19400	5.40	25

* In code numbers xx corresponds with the belt width (A), starting with 11 for 170 mm, 12 for 255 mm and so on with 85 mm increments up to 6120 mm; see also page 211.

Split Sprockets Wide Hub



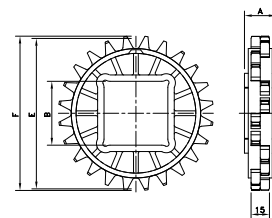
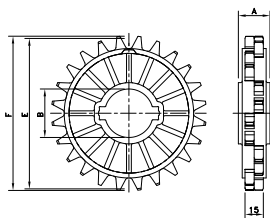
Sprocket Type	Code Number	Number of Teeth	Bore	Pitch Diameter	Outside Diameter	Hub Width
			B	E	F	A
Round Bores						
NS1000-16T_30MM_1KW_PA	10017957	16	30 mm	130.2	130.6	39
NS1000-16T_35MM_1KW_PA	10027358	16	35 mm			
NS1000-16T_40MM_1KW_PA	10017956	16	40 mm			
NS1000-18T_30MM_1KW_PA	10017960	18	30 mm	146.3	146.8	
NS1000-18T_35MM_1KW_PA	10027359	18	35 mm			
NS1000-18T_40MM_1KW_PA	10017959	18	40 mm			
NS1000-20T_30MM_1KW_PA	10027360	20	30 mm	162.4	163.1	
NS1000-20T_35MM_1KW_PA	10017965	20	35 mm			
NS1000-20T_40MM_1KW_PA	10017966	20	40 mm			
NS1000-20T_1-1/2IN_1KW_PA	10017967	20	1.5"	162.4	163.1	
Square Bores						
NS1000-16T_40MM_S_PA	10027464	16	40 mm	130.2	130.6	39
NS1000-18T_40MM_S_PA	10017961	18	40 mm	146.3	146.8	
NS1000-20T_40MM_S_PA	10027465	20	40 mm	162.4	163.1	

For wide hub sprockets with round bore one keyway is sufficient.

For humid, hot applications like pasteurizing, special sprockets are available; see next page.

Classic Sprockets

Classic Sprockets for Humid, Hot Applications like Pasteurizing



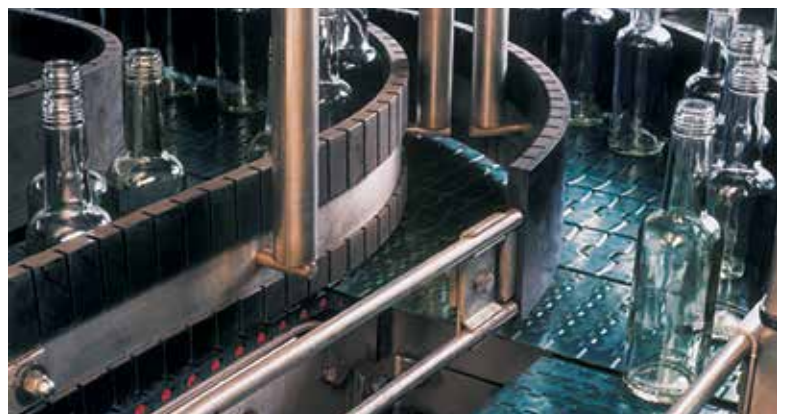
Sprocket Type	Code Number	Number of Teeth	Bore	Pitch Diameter	Outside Diameter	Hub Width
			B	E	F	A
mm/inch						
Round Bores						
N1000-12T_30MM_2KW_PA	10334262	12	30 mm	98.1	96.5	20
N1000-12T_40MM_2KW_PA	10334263	12	40 mm			
N1000-18T_30MM_2KW_PA	10148154	18	30 mm	146.3	145.9	
N1000-18T_40MM_2KW_PA	10148153	18	40 mm			
N1000-18T_50MM_2KW_PA	10334271	18	50 mm			
N1000-20T_35MM_2KW_PA	10334279	20	35 mm	162.4	161.7	20
N1000-20T_40MM_2KW_PA	10334280	20	40 mm			
N1000-20T_50MM_2KW_PA	10148159	20	50 mm			
Square Bores						
N1000-18T_40MM_S_PA	10148155	18	40 mm	146.3	145.9	20
N1000-18T_60MM_S_PA	10334274	18	60 mm			30
N1000-20T_40MM_S_PA	10148160	20	40 mm	162.4	161.7	20
N1000-20T_60MM_S_PA	10334283	20	60 mm			30
Classic Sprockets for Humid, Hot Applications like Pasteurizing						
Square Bores						
N1000-12T_40MM_S_POM	10148119	12	40 mm	98.1	96.5	20
N1000-18T_40MM_S_POM	10148120	18	40 mm	146.3	145.9	20
N1000-20T_40MM_S_POM	10334276	20	40 mm	162.4	161.7	20

The 1005-Series 1-inch pitch heavy-duty belt combines a ½-inch thickness with a robust belt design and an all-round pitch, making it a versatile belt for amongst others beverage, glass manufacturing and packaging applications. As a standard the belts are supplied in low friction acetal, extremely wear resistant polyamide and polypropylene.

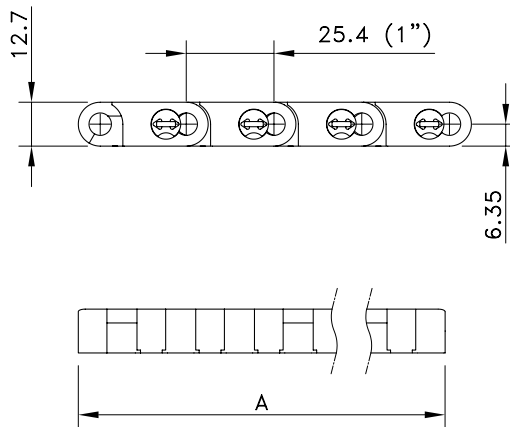
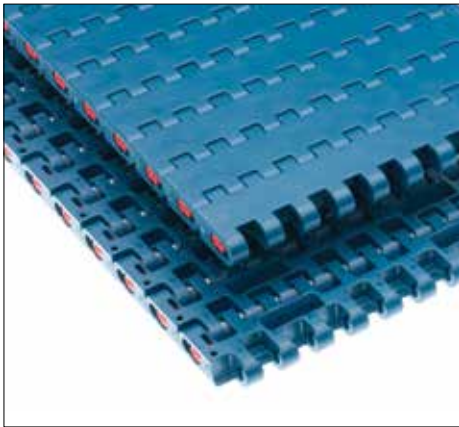
Features

- Robust belt design and high strength to meet the most demanding applications in beverage, glass making and packaging.
- The revolutionary Easy Lock pin retention system in combination with the 2 module system makes the belt very easy to install and maintain.
- Rounded outside edges for better side transfers and improved product handling.
- 85 mm pitched fixed sprocket positions improve the drive properties and contribute to standardization of the conveyor design.
- Equipped with wear resistant polyester (PBT) pins for the best long term performance.
- 1005-Series belts are companioned by FTM 1055 or FT 1055 chainbelts, to make a perfect match between straight running and sideflexing conveyors.

Programme	
1005 Flat Top (FT)	Closed surface; suitable for heavy duty glass handling applications and other abrasive environments
1005 SuperGrip (SG)	Execution with high friction rubber surface to handle packages on inclined, declined and metering conveyors; standard angles up to 20°. Special design of the rubber profile makes it suitable for crate handling as well
1005 XLBP	Extra Low Backline Pressure execution with low noise rollers with permanently fixed roller shafts improving environment safety and securing optimum handling of vulnerable packed products, such as shrink-wrapped trays with and without cardboard bottom (wearstrips in ULF material are recommended)
FreeFlow	Dynamic Transfer System allows complete elimination of dead plates at 90° transfers, creating self-clearing transfers
Positrack	Lugs for accurate and reliable guiding of mass handling and single track belts, resulting in optimum product handling

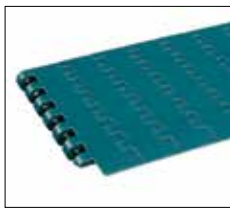


FlatTop® 1005

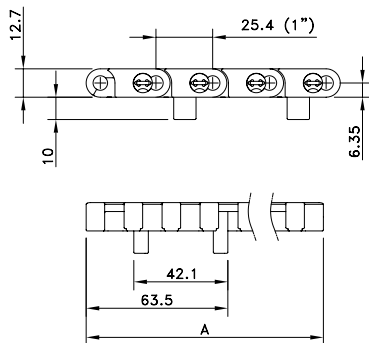


Assembly	Belt Type	Code Number*	Temperature range °C		Working Load (max.) N/m (21°C)	Weight kg/m ²	Backflex Radius (min.) mm
			Dry	Wet			
XLG-Acetal with PBT Pins							
Standard	FT 1005 XLG	877.00.xx	-40 to +80	up to 65	35000	13.50	25
Double positrack	FTDP 1005 XLG	877.01.xx					
Double positrack, freeflow	FFDTP 1005 XLG	877.02.xx					
Mould to width (MTW)	FT 1005 XLG K450 MTW	877.00.00					
MTW double positrack	FTDP 1005 XLG K450 MTW	877.01.00					
PSX Advanced Performance Polymer Alloy with PBT Pins							
Standard	FT 1005 PSX	877.25.xx	-40 to +80	up to 65	35000	13.50	25
Double positrack	FTDP 1005 PSX	877.26.xx					
BWX-Polyamide Composite with PBT Pins							
Standard	FT 1005 BWX	877.27.xx	-40 to +80	not recommended	35000	13.50	25
Double positrack	FTDP 1005 BWX	877.28.xx					
Mould to width (MTW)	FT 1005 BWX K450 MTW	877.14.00					
MTW double positrack	FTDP 1005 BWX K450 MTW	877.15.00					

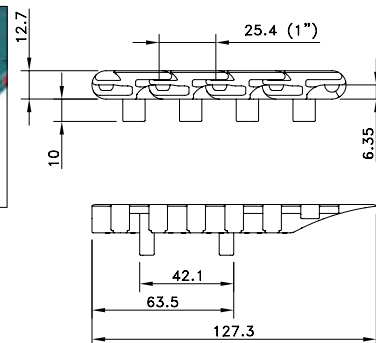
* In code numbers xx corresponds with the belt width (A), starting with 10 for 85 mm, 11 for 170 mm and so on in steps of 85 mm up to 6120 mm. Other sizes upon request. See page 208 for all code numbers.



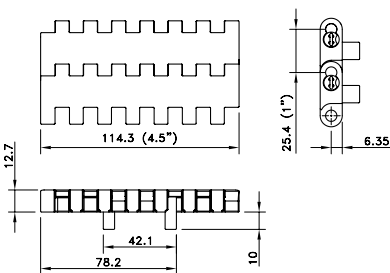
Flat Top 1005 heavy duty belt with integrated FreeFlow



Flat Top 1005 heavy duty belt with Positrack

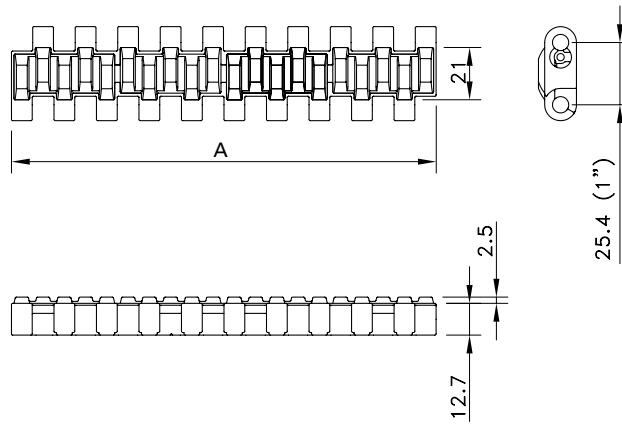
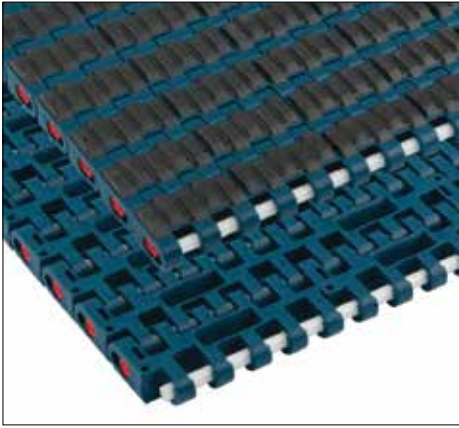


The double Positrack lugs are positioned on one side of the belt for precise transfer possibilities.



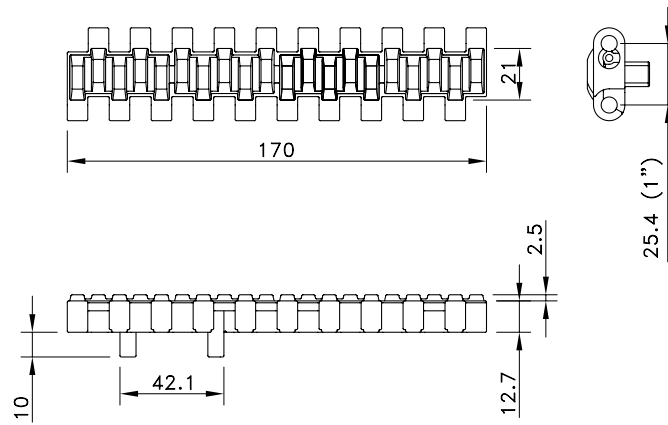
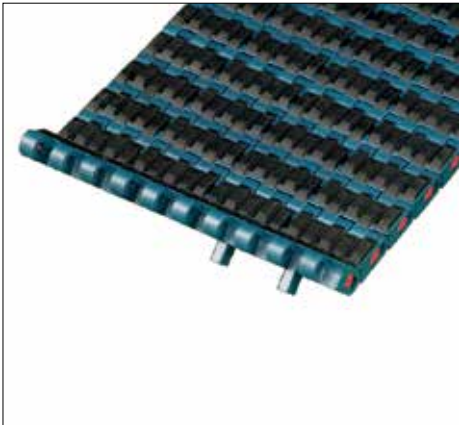
1005 Belt mould to width with double Positrack

Supergrip 1005



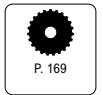
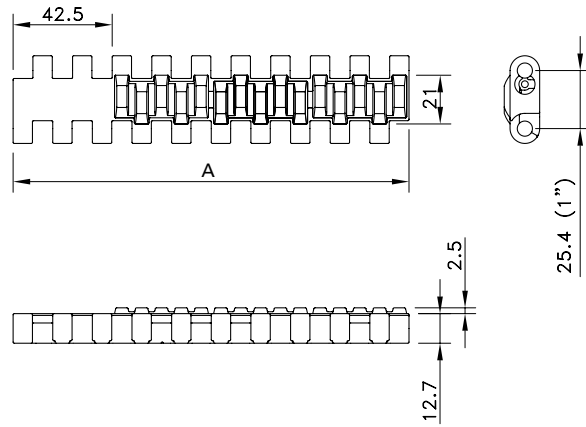
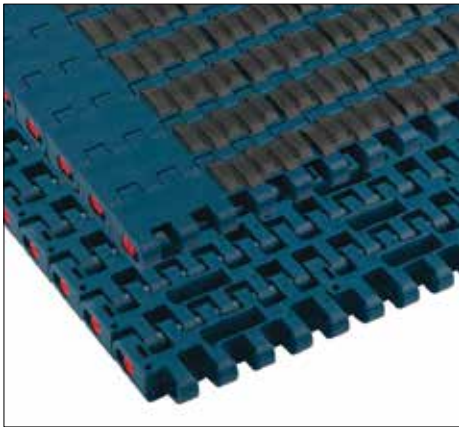
Assembly	Belt Type	Code Number*	Temperature range °C		Working Load (max.) N/m (21°C)	Weight kg/m ²	Backflex Radius (min.) mm
			Dry	Wet			
XLG-Acetal with PBT Pins							
Standard	XLG1005SGS	877.50.xx	-40 to +65	up to +65	35000	14.00	25
Double Positrack	XLG1000SG-XXMM_PT-1DP	877.51.xx					

* In code numbers xx corresponds with the belt width (A), starting with 11 for 170 mm, 12 for 255 mm and so on with 85 mm increments up to 6120 mm; see also page 208. Standard 100% rubber; other percentages and sizes on request. Rubber top is a black elastomere, with a hardness of 50 (XLG) shore A.



1005 supergrip belt with double positrack on one side of the belt

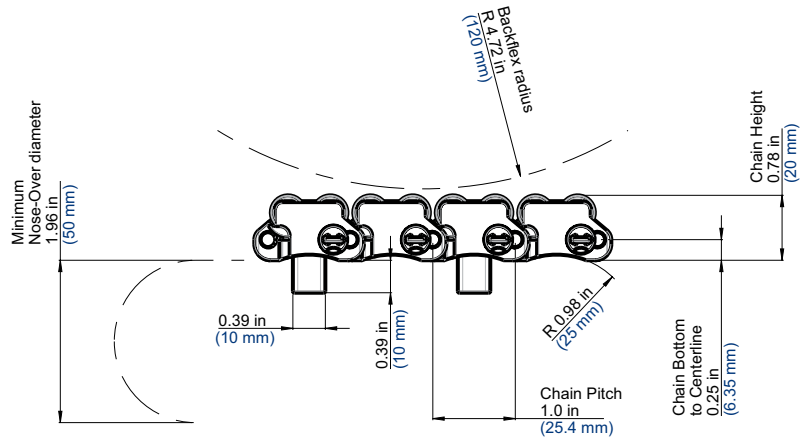
Supergrip Side-Indent 1005



Assembly	Belt Type	Code Number*	Temperature range °C		Working Load (max.) N/m (21°C)	Weight kg/m ²	Backflex Radius (min.) mm
			Dry	Wet			
XLG-Acetal with PBT Pins							
Standard	XLG1005SGS	877.52.xx	-40 to +65	up to 65	35000	14.00	25
Double Positrack	XLG1000SG-XXMM_PT-1DP	877.53.xx					

* In code numbers xx corresponds with the belt width (A), starting with 12 for 255 mm, 13 for 340 mm and so on with 85 mm increments up to 6120 mm; see also page 208. Standard 100% rubber; other percentages and sizes on request.
 Rubber top is a black elastomere, with a hardness of 50 (XLG) shore A.
 A center indent of 85 mm is possible from 765 mm belt width, with steps of 170 mm.

XLBP 1005

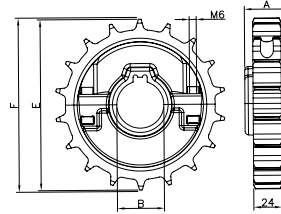
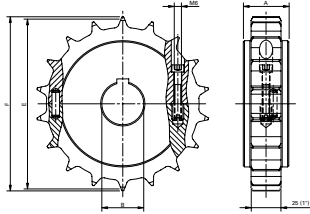


Assembly	Belt Type	Code Number*	Temperature range °C		Working Load (max.) N/m (21°C)	Weight kg/m ²	Backflex Radius (min.) mm
			Dry	Wet			
XLA-Acetal with PBT Pins							
Standard	XLA1005XLBP	877.29.xx	-40 to +80	1 to 65	14000	18	120
Double Positrack	XLA1005XLBP_MM_PT-L	877.30.xx					

* In code numbers xx corresponds with the belt width (A), starting with 11 for 170 mm, 12 for 255 mm and so on in steps of 85 mm up to 6120 mm. Other sizes upon request. See page 208 for all code numbers.

Split Sprockets and Idlers Machined

Split Sprockets and Idlers Moulded



Sprocket Type	Code Number	Number of Teeth	Bore	Pitch Diameter	OutKUSde Diameter	Hub Width
			B mm/inch	E mm	F mm	A mm

Split Sprockets and Idlers Machined

Sprockets with Round Bores

KUS1005-18T_30MM_1KW_PA	10148133	18	30 mm	146.3	145.3	38
KUS1005-18T_40MM_1KW_PA	10148132	18	40 mm			
KUS1005-21T_30MM_1KW_PA	10331515	21	30 mm	170.4	169.7	
KUS1005-21T_40MM_1KW_PA	10332229	21	40 mm			
KUS1005-18T_1IN_1KW_PA	10326649	18	1.0"	146.3	145.3	
KUS1005-18T_1-1/2IN_1KW_PA	10148136	18	1.5"			
KUS1005-21T_1IN_1KW_PA	10326647	21	1.0"	170.4	169.7	
KUS1005-21T_1-1/2IN_1KW_PA	10326987	21	1.5"			

Idlers

KUS1005-18T_30MM_I_PA	10148135	18	30 mm	146.3	145.3	38
KUS1005-18T_40MM_I_PA	10148134	18	40 mm			
KUS1005-21T_30MM_I_PA	10331517	21	30 mm	170.4	169.7	
KUS1005-21T_40MM_I_PA	10332231	21	40 mm			
KUS1005-18T_1IN_I_PA	10326650	18	1.0"	146.3	145.3	
KUS1005-18T_1-1/2IN_I_PA	10148138	18	1.5"			
KUS1005-21T_1IN_I_PA	10326648	21	1.0"	170.4	169.7	
KUS1005-21T_1-1/2IN_I_PA	10326988	21	1.5"			

Sprockets with Square Bores

KUS1005-18T_40MM_S_PA	10148130	18	40 mm	146.3	145.3	38
KUS1005-21T_40MM_S_PA	10332228	21	40 mm	170.4	169.7	
KUS1005-18T_1-1/2IN_S_PA	10148131	18	1.5"	146.3	145.3	
KUS1005-21T_1-1/2IN_S_PA	10326943	21	1.5"	170.4	169.7	

Split sprockets with keyways are 'tight fit' onto the shaft and can be used for belt widths up to 680 mm and temperature differences of max. 30°C. For wider belts or bigger temperature differences, square bores have to be used.

Square sprockets can be used on the drive- and on the idler shaft. They 'float' freely on the shaft.

Split Sprockets and Idlers Moulded

Sprockets

NSH1005-13T_40MM_1KW_PA	10298197	13	40 mm	106,1	104,2	38
NSH1005-14T_40MM_1KW_PA	10298200	14	40 mm	114,1	112,5	
NSH1005-15T_40MM_1KW_PA	10298198	15	40 mm	122,1	120,7	
NSH1005-16T_40MM_1KW_PA	10349723	16	40 mm	130,2	128,9	
NSH1005-18T_40MM_1KW_PA	10298199	18	40 mm	146,3	145,3	
NSH1005-21T_40MM_1KW_PA	10292134	21	40 mm	170,4	169,7	

Idlers

NSH1005-18T_40MM_I_PA_GN	10678783	18	40 mm	146,3	145,3	38
--------------------------	----------	----	-------	-------	-------	----

Maintaining the highest sanitation protocols is paramount to food processors. This important practice finds itself in the ability to clean and maintain conveyor belts in any area where pathogens can live and breed. With this in mind, the 1010 Series KleanTop™ belt was created, offering a belt that is one of the easiest to clean.

Durable and Effectively Cleaned

Key features of the 1010 Series KleanTop aim to ensure your operations are food safe. Over time, edges of plastic belts wear down and pose a risk to food production. The 1010 Series KleanTop is designed to eliminate the risk of product contamination by reinforcing the edges of the belt where breakdown can occur.

Hinge areas can be difficult to see and clean. This is problematic in certain food applications which require all areas of the conveying operation to be as sanitary as possible. The Rexnord 1010 Series features a completely open hinge design, exposing 60 percent of the rod, and enabling the hinge to be completely cleaned with less time, water and chemical usage.



Conveyor equipped with Rexnord 1015 Series Series KleanTop Belt

Easy Assembly and Maintenance

Some belts have complicated rod retention designs, raising the risk for rod and/or belt damage. The 1010 Series has a simplified rod retention system enabling easy assembly and disassembly with a simple screwdriver, keeping downtime as low as possible.

Superior Industry Performance

The combination of features and benefits allows for superior performance in baking, snack, fruit and vegetable, seafood and poultry applications.

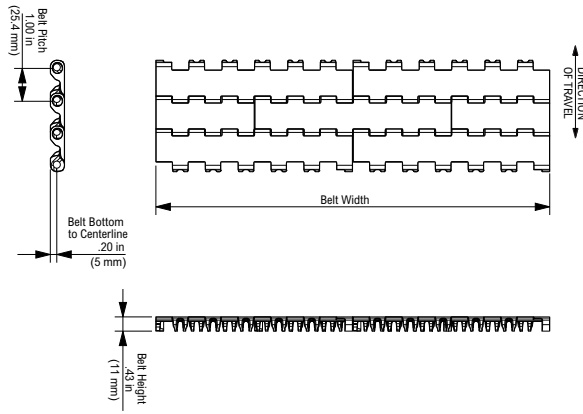
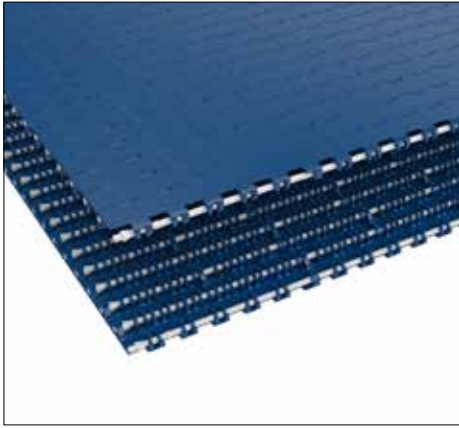
Product Information

- Plastic modular belt available in minimum width of two inches (50.8 mm) and increments of one inch (25.4 mm).
- Available in white and blue FDA approved materials for visual contrast and identification.
- Four surface top executions available: Nub Top, Flat Top, Perforated Flat Top and Perforated Nub Top (both with 20 percent open area).
- Four inches (101.6 mm) high flight with non-stick ribs on both sides to reduce product sticking on incline and decline applications.
- Cleanable machined sprockets in 10-, 12-, 16-, 18- and 20-teeth execution.
- Two inches (50.8 mm) and three inches (76.2 mm) high side guards are available.



Conveyor equipped with Rexnord 1011 Series Series KleanTop Belt

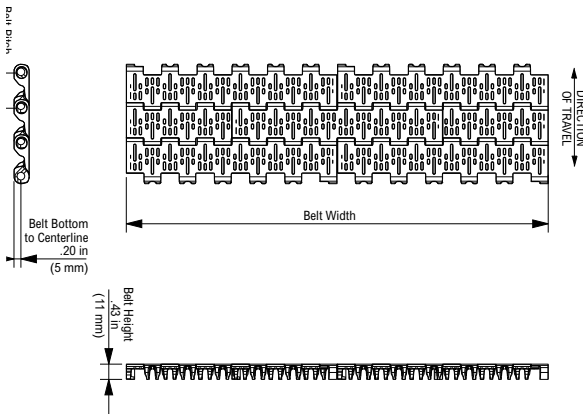
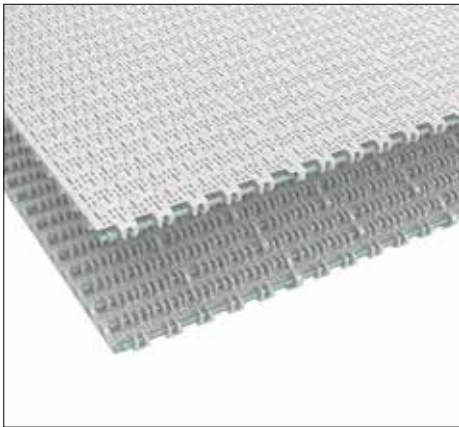
Flat Top 1015



Rexnord 1015 Series KleanTop Belt Overview

Chain Type	Material	Standard Pin Material	Working Load (max)	Weight	Backflex Radius (min)	Temperature Range °C	
			lbs/ft / N/m	lbs/ft / kg/m		Dry	Wet
1015 FlatTop	WHT-BHT (Blue-White)	PBT	400 / 6.000	0.90 / 4.39	1.57 / 40	4 / 104	4 / 100
1015 FlatTop	WLT-BLT (Blue-White)	PBT	350 / 5.000	0.98 / 4.78		-73 / 27	-73 / 27
1015 FlatTop	WSM (White)	PBT	800 / 12.000	1.44 / 7.03		-40 / 82	-40 / 66

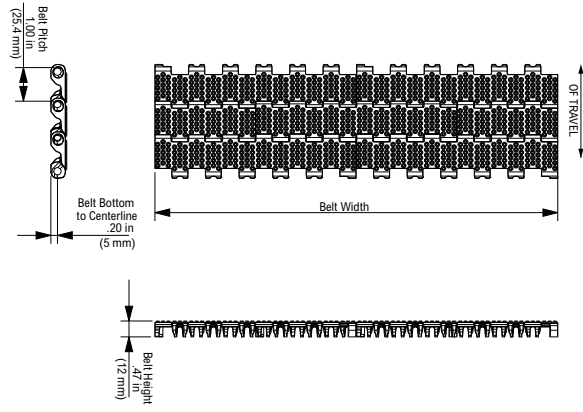
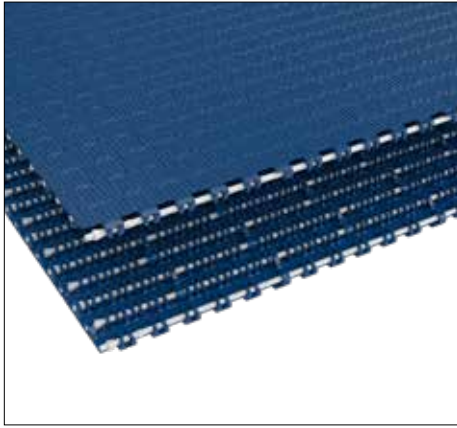
Perforated FlatTop 1016



Rexnord 1016 Series KleanTop Belt Overview

Chain Type	Material	Standard Pin Material	Working Load (max)	Weight	Backflex Radius (min)	Temperature Range °C	
			lbs/ft / N/m	lbs/ft / kg/m		Dry	Wet
1016 Perforated FlatTop	WHT-BHT (Blue-White)	PBT	400 / 6.000	0.90 / 4.39	1.57 / 40	4 / 104	4 / 100
1016 Perforated FlatTop	WLT-BLT (Blue-White)	PBT	350 / 5.000	0.98 / 4.78		-73 / 27	-73 / 27
1016 Perforated FlatTop	WSM (White)	PBT	800 / 12.000	1.44 / 7.03		-40 / 82	-40 / 66

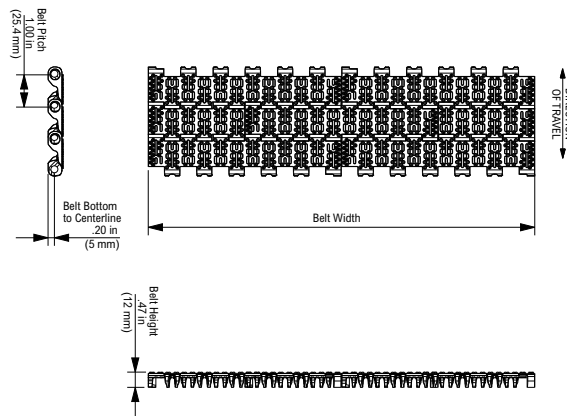
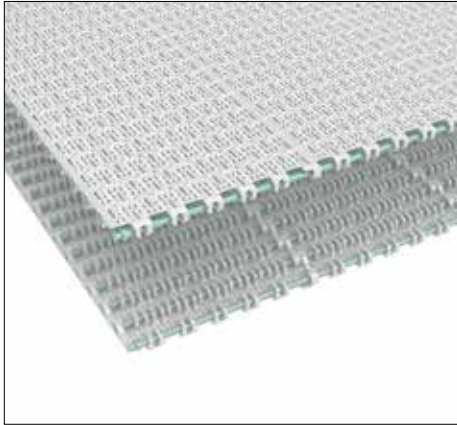
Nub Top 1011



Rexnord 1011 Series KleanTop Belt Overview

Chain Type	Material	Standard Pin Material	Working Load (max)		Backflex Radius (min)	Temperature Range °C	
			lbs/ft / N/m	lbs/ft / kg/m		Dry	Wet
1011 Nub Top	WHT-BHT (Blue-White)	PBT	400 / 6.000	0.90 / 4.39	1.57 / 40	4 / 104	4 / 100
1011 Nub Top	WLT-BLT (Blue-White)	PBT	350 / 5.000	0.98 / 4.78		-73 / 27	-73 / 27
1011 Nub Top	WSM (White)	PBT	800 / 12.000	1.44 / 7.03		-40 / 82	-40 / 66

Perforated Nub Top 1018



Rexnord 1018 Series KleanTop Belt Overview

Chain Type	Material	Standard Pin Material	Working Load (max)		Backflex Radius (min)	Temperature Range °C	
			lbs/ft / N/m	lbs/ft / kg/m		Dry	Wet
1018 Perforated Nub Top	WHT-BHT (Blue-White)	PBT	400 / 6.000	0.90 / 4.39	1.57 / 40	4 / 104	4 / 100
1018 Perforated Nub Top	WLT-BLT (Blue-White)	PBT	350 / 5.000	0.98 / 4.78		-73 / 27	-73 / 27
1018 Perforated Nub Top	WSM (White)	PBT	800 / 12.000	1.44 / 7.03		-40 / 82	-40 / 66



**Rexnord 1010 Series
KleanTop Belt
Bi-directional Drive
Sprocket KU1010**

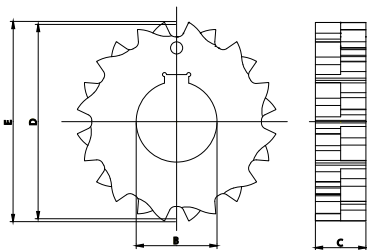


**Rexnord 1010 Series
KleanTop Belt
Uni-directional
Sprocket KU1010**

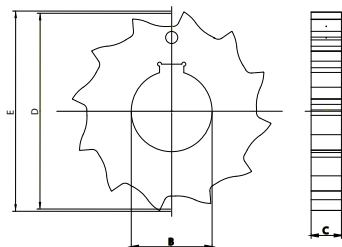


**Rexnord 1010 Series
KleanTop Belt
Idler
Sprocket KU1010**

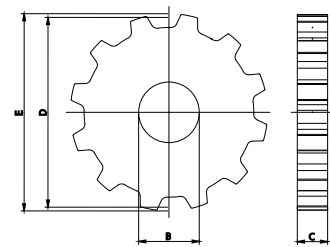
Sprocket Type	Code Number	Number of Teeth	Shaft Size B	Width C	Pitch Diameter D	Outside Diameter E
			in / mm	in / mm	in / mm	in / mm
Rexnord 1010 Series Bi-directional Drive						
KU1010-10T_40MM_S_UH	10362465	10	1.57 / 40	0.98 / 25	3.24 / 82.19	3.26 / 82.7
KU1010-12T_40MM_S_UH	10332056	12	1.57 / 40	0.98 / 25	3.86 / 98.09	3.89 / 98.9
Rexnord 1010 Series Uni-directional Drive						
KU1010STR-10T_40MM_S_UH	10674758	10	1.57 / 40	0.59 / 15	3.24 / 82.19	3.26 / 82.7
KU1010STR-12T_40MM_S_UH	10674760	12	1.57 / 40	0.59 / 15	3.86 / 98.09	3.89 / 98.9
Rexnord 1010 Series Idler						
KU1010STR-10T_30MM_I_UH	10685630	10	1.18 / 30	0.59 / 15	3.24 / 82.19	3.26 / 82.7
KU1010STR-12T_30MM_I_UH	10685632	12	1.18 / 30	0.59 / 15	3.86 / 98.09	3.89 / 98.9



**Rexnord 1010 Series KleanTop Belt
Bi-directional Drive
Sprocket KU1010**



**Rexnord 1010 Series KleanTop Belt
Uni-directional
Sprocket KU1010**



**Rexnord 1010 Series KleanTop Belt
Idler
Sprocket KU1010**



**Rexnord 1010 Series
KleanTop Belt Sideguard**



**Rexnord 1010 Series
KleanTop Belt Ribbed Flight
six inches (152.4 mm)
width, four inches
(101.6 mm) height,
one-inch (25.4 mm)
side indent**



**Rexnord 1010 Series
KleanTop Belt Ribbed Flight
six inches (152.4 mm),
four inches (101.6 mm)
height**

The Rexnord 1020 Series MatTop® Chain offers an all-around one-inch (25.4 millimeters) pitch modular chain solution for automotive floor conveyors. The 1020 Series MatTop Chain is developed for use in vehicle and people moving automotive applications.

Customized for your application

The 1020 Series MatTop Chain is offered in a smooth SolidTop and anti-slip SafetyTop surface providing optimum work surfaces for specific applications. Depending on the application a choice between high-performance plastic or stainless steel pins can be made. Stainless steel pins have higher wear resistance capabilities. They are used in situations where dirt and debris can be expected.

Reliable operation

The Rexnord 1020 Series MatTop Chain offers a reliable and smooth operation in combination with Rexnord MatTop Chain advantages:

- Insensitive to automotive liquids
- Positive drive sprocket eliminates slippage and prevents skids from twisting during conveying
- Energy savings due to full plastic chain design which offers reduced weight and low friction
- Optimized stiffness through narrow hinge design and large pin diameter
- Easy installation and maintenance
- Chain damage can be repaired by replacing a single link at a time
- Standard equipped with wear resistant PBT pins
- The flat headed diamond profile provides a superior anti-sliding facility



Conveyor equipped with Rexnord 1020 Series MatTop Chain

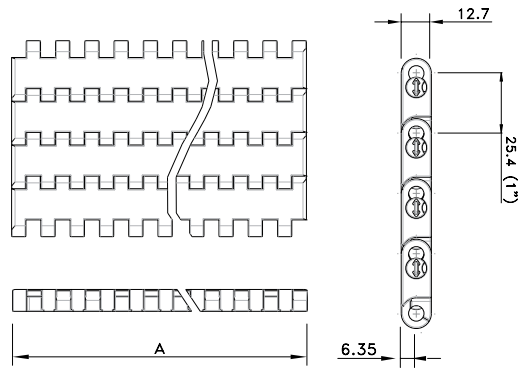
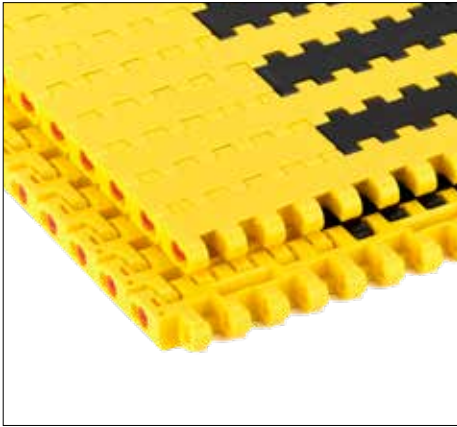
Product Information

- The one-inch (25.4 millimeters) pitch modules minimize chordal action around the drive and idler sprockets.
- Sprockets are standard available in 18 and 21 teeth. For FR-ESD material the sprockets will be supplied with an extended pitch.



Conveyor equipped with Rexnord 1020 Series MatTop Chain

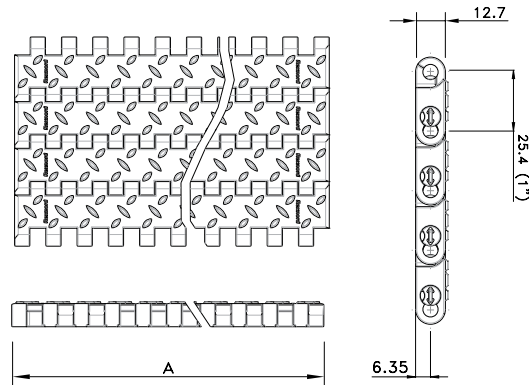
Solid Top 1025



Assembly	Belt Type	Code Number*	Temperature range °C		Working Load (max.) N/m (21°C)	Weight kg/m ²	Backflex Radius (min.) mm
			Dry	Wet			
HCAS-Acetal with PBT Pins							
Standard	HCAS1025	I1025HCASKXX	-18 to +80	-18 to +66	28000	13.50	25

* In code numbers xx corresponds with the belt width (A), starting with 10 for 85 mm, 11 for 170 mm and so on in steps of 85 mm up to 6120 mm. Other sizes upon request.

Safety Top 1029

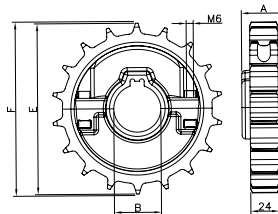
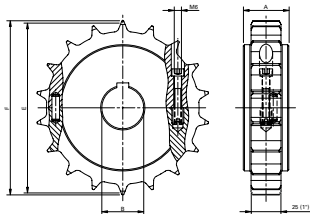


Assembly	Belt Type	Code Number*	Temperature range °C		Working Load (max.) N/m (21°C)	Weight kg/m ²	Backflex Radius (min.) mm
			Dry	Wet			
HCAS-Acetal with PBT Pins							
Standard	HCAS1029	I1029HCASKXX	-18 to +80	-18 to +82	28000	13.50	25

* In code numbers xx corresponds with the belt width (A), starting with 10 for 85 mm, 11 for 170 mm and so on in steps of 85 mm up to 6120 mm. Other sizes upon request.

Split Sprockets and Idlers Machined

Split Sprockets and Idlers Moulded



Sprocket Type	Code Number	Number of Teeth	Bore	Pitch Diameter	OutKUSde Diameter	Hub Width
			B	E	F	A
			mm/inch	mm	mm	mm

Split Sprockets and Idlers Machined

Sprockets with Round Bores

KUS1005-18T_30MM_1KW_PA	10148133	18	30 mm	146.3	145.3	38
KUS1005-18T_40MM_1KW_PA	10148132	18	40 mm			
KUS1005-21T_30MM_1KW_PA	10331515	21	30 mm	170.4	169.7	
KUS1005-21T_40MM_1KW_PA	10332229	21	40 mm			
KUS1005-18T_1IN_1KW_PA	10326649	18	1.0"	146.3	145.3	
KUS1005-18T_1-1/2IN_1KW_PA	10148136	18	1.5"			
KUS1005-21T_1IN_1KW_PA	10326647	21	1.0"	170.4	169.7	
KUS1005-21T_1-1/2IN_1KW_PA	10326987	21	1.5"			

Idlers

KUS1005-18T_30MM_I_PA	10148135	18	30 mm	146.3	145.3	38
KUS1005-18T_40MM_I_PA	10148134	18	40 mm			
KUS1005-21T_30MM_I_PA	10331517	21	30 mm	170.4	169.7	
KUS1005-21T_40MM_I_PA	10332231	21	40 mm			
KUS1005-18T_1IN_I_PA	10326650	18	1.0"	146.3	145.3	
KUS1005-18T_1-1/2IN_I_PA	10148138	18	1.5"			
KUS1005-21T_1IN_I_PA	10326648	21	1.0"	170.4	169.7	
KUS1005-21T_1-1/2IN_I_PA	10326988	21	1.5"			

Sprockets with Square Bores

KUS1005-18T_40MM_S_PA	10148130	18	40 mm	146.3	145.3	38
KUS1005-21T_40MM_S_PA	10332228	21	40 mm	170.4	169.7	
KUS1005-18T_1-1/2IN_S_PA	10148131	18	1.5"	146.3	145.3	
KUS1005-21T_1-1/2IN_S_PA	10326943	21	1.5"	170.4	169.7	

Split sprockets with keyways are 'tight fit' onto the shaft and can be used for belt widths up to 680 mm and temperature differences of max. 30°C. For wider belts or bigger temperature differences, square bores have to be used.

Square sprockets can be used on the drive- and on the idler shaft. They 'float' freely on the shaft.

Split Sprockets and Idlers Moulded

Sprockets

NSH1005-13T_40MM_1KW_PA	10298197	13	40 mm	106,1	104,2	38
NSH1005-14T_40MM_1KW_PA	10298200	14	40 mm	114,1	112,5	
NSH1005-15T_40MM_1KW_PA	10298198	15	40 mm	122,1	120,7	
NSH1005-16T_40MM_1KW_PA	10349723	16	40 mm	130,2	128,9	
NSH1005-18T_40MM_1KW_PA	10298199	18	40 mm	146,3	145,3	
NSH1005-21T_40MM_1KW_PA	10292134	21	40 mm	170,4	169,7	

Food processors require conveying systems that are tailored to the unique needs of the industry and individual applications. Too often, conveyor belt manufacturers develop products that serve a variety of industries, forcing food processors to make small compromises that could affect operations and product quality. With these challenges in mind, Rexnord created the 1090 Series KleanTop™ belt. Unlike similar belts on the market, the 1090 Series was designed for the food industry, offering the optimal combination of ease in cleaning and strength.

Retains Product Quality

Key features of the 1090 Series ensure products are made consistently and safely. The scalloped bottom of the belt enables it to run on a roller instead of a sprocket. This feature is optimal for applications requiring efficient cooling, ensuring air moves consistently and without dead spots usually found around wear strips. With a roller there is also the added bonus of cost savings in sprocket inventory and maintenance.

Effective Cleaning

Hinge areas are often difficult to see and clean. The 1090 Series features an open hinge design, giving access to the hinge so regular hygiene practices are effective in keeping the hinge area sanitary. The open hinge also provides the benefit of abrasion resistance, enabling the rod to last as long as possible.

Superior Industry Performance

Given the combination of features and benefits, the 1090 Series provides superior performance in food conveying applications for the following food processors:

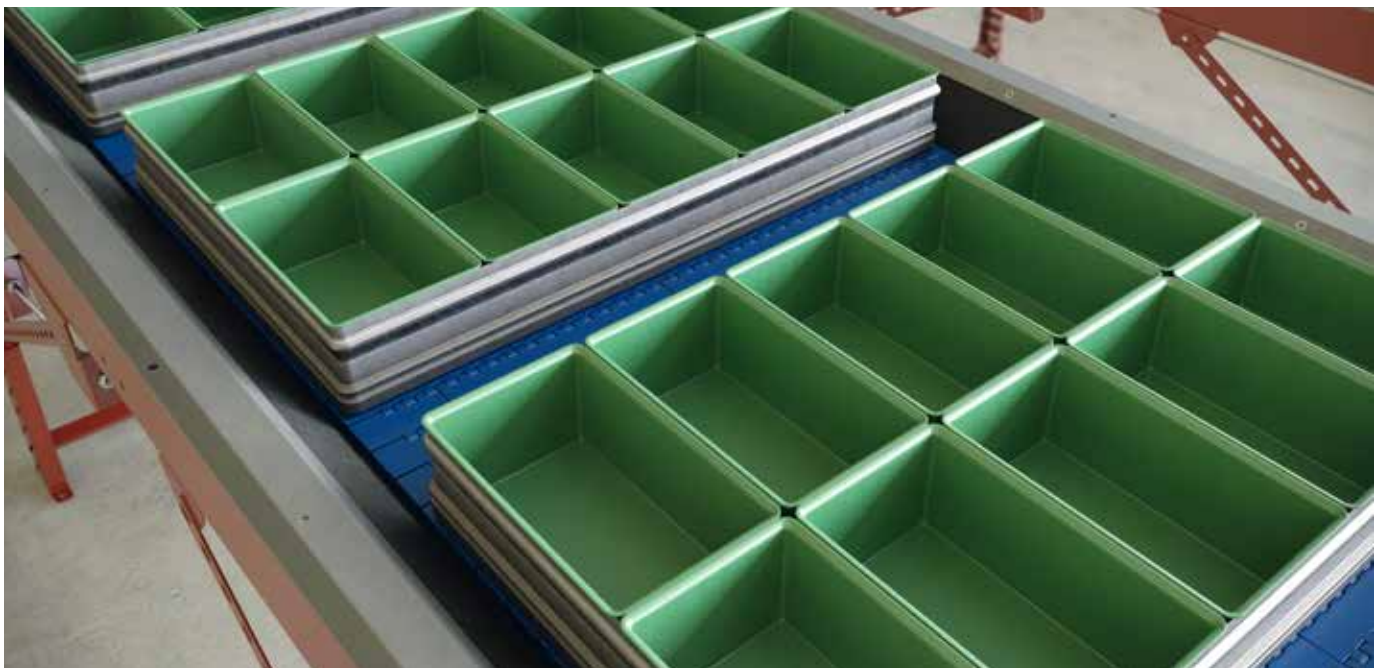
- Baking
- Snack Food
- Fruit and Vegetable
- Seafood



Conveyor equipped with Rexnord 1096 Series KleanTop Belt.

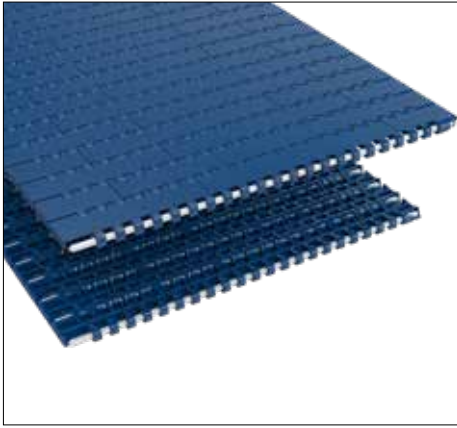
Product Information

- Plastic modular belt available in minimum width of four inches and increments of a half-inch.
- Flush grid version available with 45 percent open area.
- Machined sprockets available in 12-, 18- and 20-teeth execution in both single piece (KU) and split (KUS) designs.
- Available in FDA-approved white and blue materials for visual contrast and identification.
- One- and two-inch high flights with non-stick ribs.
- One- and two-inch high sideguards.



Conveyor equipped with Rexnord 1095 Series KleanTop Belt.

Flat Top 1095



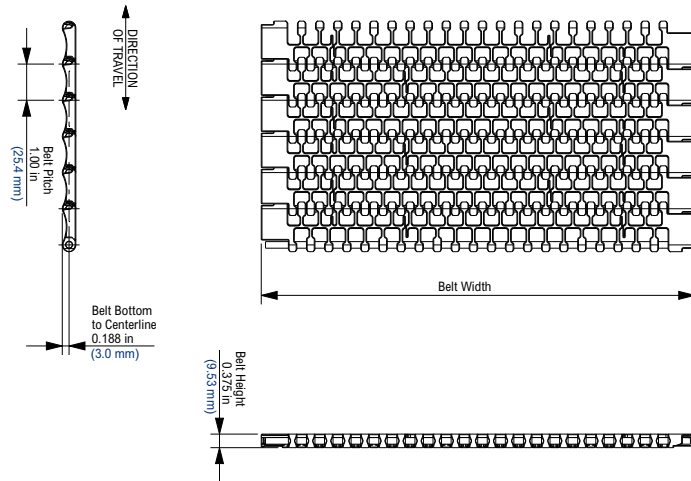
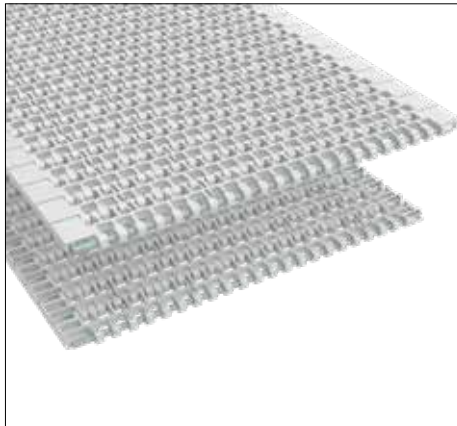
Rexnord 1095 Series KleanTop Belt Overview

Chain Type	Material	Standard Pin Material	Working Load (max)	Weight	Backflex Radius (min)	Temperature Range °C	
			N/m / lbs/ft	kg/m / lbs/ft		mm / in	Dry
FlatTop 1095	SMB (Blue)	PBT	1.500 / 21.884	1.48 / 7.23	0.680 / 17.2	-40 / 82	-40 / 66
FlatTop 1095	WHT (White)	PBT	900 / 13.130	0.95 / 4.64		4 / 104	4 / 100
FlatTop 1095	BHT (Blue)	PBT	900 / 13.130	0.95 / 4.64		4 / 104	4 / 100

General information:

- Plastic modular belt available in minimum width of four inches and increments of a half-inch

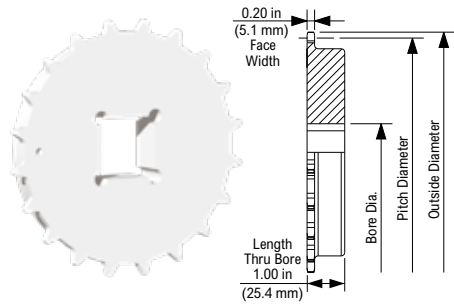
Flat Top 1096



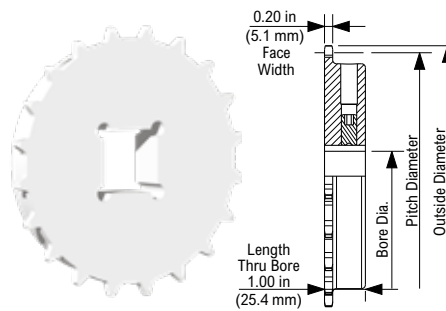
Rexnord 1096 Series KleanTop Belt Material Overview

Chain Type	Material	Standard Pin Material	Working Load (max)	Weight	Backflex Radius (min)	Temperature Range °C	
			N/m / lbs/ft	kg/m / lbs/ft		mm / in	Dry
Flush Grid 1096	SMB (Blue)	PBT	1.500 / 21.884	1.12 / 5.47	0.680 / 17.2	-40 / 82	-40 / 66
Flush Grid 1096	WHT (White)	PBT	900 / 13.130	0.72 / 3.52		4 / 104	4 / 100
Flush Grid 1096	BHT (Blue)	PBT	900 / 13.130	0.72 / 3.52		4 / 104	4 / 100

KU1090 Thermoplastic Sprocket



KUS1090 Thermoplastic Split Sprocket



KU1090 Thermoplastic Sprocket Information

Number of Teeth		Pitch Diameter		Outside Diameter		Bore Diameter (Shaft-Ready)								Bore Diameter (Idler)				Approximate Weight	
						Round				Square				in		mm			
						in	mm	in	mm	in	mm	in	mm	min	max	min	max		
actual	effect	in	mm	in	mm	min	max	min	max	min	max	min	max	min	max	min	max	lbs	kg
12T	12T	3.9	98.2	3.9	98	1	1-3/4	25	45	1	1-19/32	25	40	1	2-1/2	25	65	0.26	0.12
18T	18T	5.8	146.3	5.8	147.3	1	3-19/64	25	80	1	3	25	75	1	4-1/2	25	115	0.77	0.35
20T	20T	6.4	162.4	6.5	163.9	1	3-1/2	25	85	1	3-19/64	25	80	1	5	25	127	0.95	0.43

KUS1090 Thermoplastic Split Sprocket Information

Number of Teeth		Pitch Diameter		Outside Diameter		Bore Diameter (Shaft-Ready)								Bore Diameter (Idler)				Approximate Weight	
						Round				Square				in		mm			
						in	mm	in	mm	in	mm	in	mm	min	max	min	max		
actual	effect	in	mm	in	mm	min	max	min	max	min	max	min	max	min	max	min	max	lbs	kg
12T	12T	3.9	98.2	3.9	98	-	-	-	-	1	1.5	25	35	-	-	-	-	0.24	0.11
18T	18T	5.8	146.3	5.8	147.3	1	2-3/4	25	70	1	2.8	25	70	1	3-19/64	25	80	0.82	0.37
20T	20T	6.4	162.4	6.5	163.9	1	3	25	75	1	3.3	25	80	1	3-1/2	25	85	1.00	0.45

The 7700-Series 1-inch pitch heavy-duty belt is used for a large variety of applications. Thanks to its robust design, these belts are common for glass works and in the automotive industry. 7700-Series is available in a closed, two open and an LBP execution. For single lane conveying several mold-to-width executions with Tab Guides are available. For applications in glass works and the beverage industry the Dynamic Transfer System is a proven solution. As a standard, the belts are supplied in high-performance acetal and polypropylene.

Features

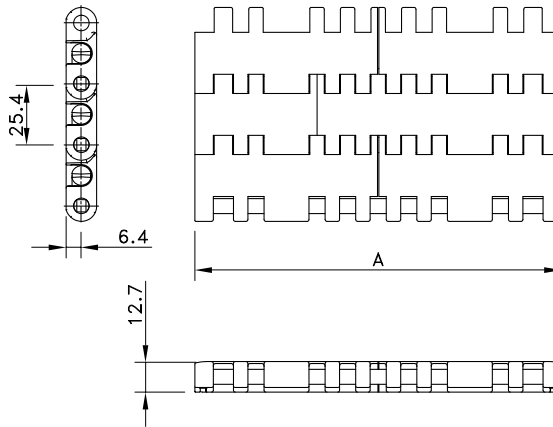
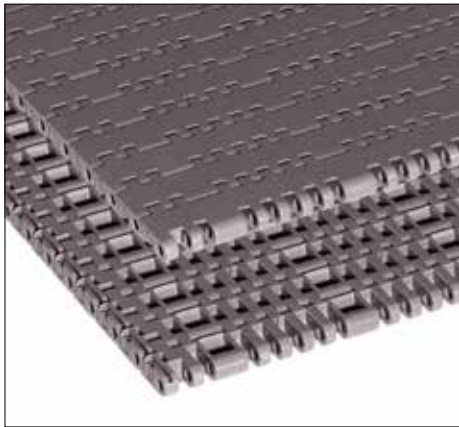
- Robust ½-inch thick module design means very high strength.
- HP acetal reduces friction, offers excellent wear resistance and creates dry-running possibilities.
- Rounded outside edges for better side transfers and improved product handling.
- Twist-lock™ pin retention by means of a hinged plug prevents plug loss and allows easy pin access for installation and maintenance.
- Dynamic Transfer System (DTS®) creates smooth 90° transfers.
- Belt and sprocket design ensure an optimum engagement and a reliable drive.
- 7700-Series belts are companioned by FTM 1055 or FT 1055 chainbelts, to make a perfect match between straight running and sideflexing conveyors; 1055 can also be driven by NS 7700 sprockets.

Programme	
7705 Solid Top	Closed surface; for heavy-duty glass and PET applications metric version can optionally be equipped with Positrack
7706 Perforated Top	8% Open area; for amongst others can handling
7708 Perforated Top	20% Open area; for amongst others warmers and coolers
Positrack	Tabs for accurate guiding of the belt in the conveyor (metric execution and DTS only)
DTS®	Single module Dynamic Transfer System for left- or right hand self-clearing transfers to avoid dead plates at 90° transfers; as a standard equipped with Positrack guiding



Bottle transfer with 7705 belt

Solid Top 7705



Assembly	Belt Type	Code Number*	Temperature range °C		Working Load (max.) N/m (21°C)	Weight kg/m ²	Backflex Radius (min.) mm
			Dry	Wet			

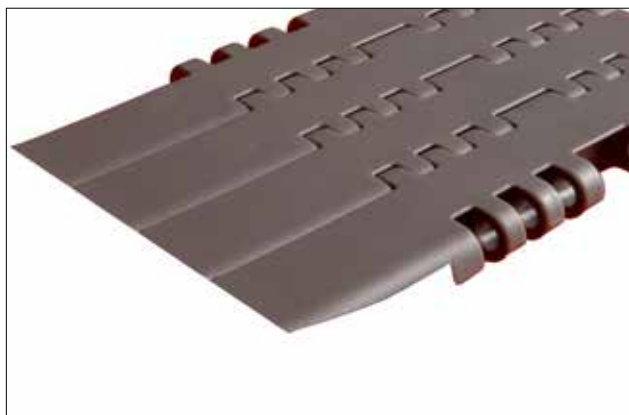
HP-Acetal with PBT Pins

Standard	HP 7705	I7705HPKxx	-40 to +80	-40 to +65	43000 N/m	13.47 kg/m ²	25
DTS Left Positrack	HP7705DTS-4.5IN_MTW_PT_LH	10028409					
	HP7705DTS-7.5IN_MTW_PT_LH	10374619					
DTS right Positrack	HP7705DTS-4.5IN_MTW_PT_RH	10028410					
	HP7705DTS-7.5IN_MTW_PT_RH	10028415					
Mould to width positrack	HP7705-3.25IN_MTW_PT	10028408			3047 N	1.03 kg/m	
	HP7705-4.5IN_MTW_PT	10028412			4559 N	1.39 kg/m	
	HP7705-7.5IN_MTW_PT	10285507			7784 N	2.58 kg/m	

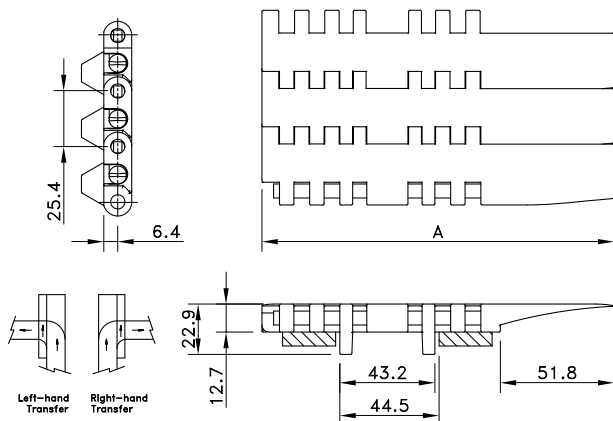
BWX-Polyamide with Polyacetal Pins

Standard	BWX7705	BWX7705-xx	-40 to +80	Not recommended	43000 N/m	13.47 kg/m ²	25
Mould to width positrack	BWX7705-3.25IN_MTW_PT	10146200					
	BWX7705-4.5IN_MTW_PT	10146012					
	BWX7705-7.5IN MTW PT	10282299					

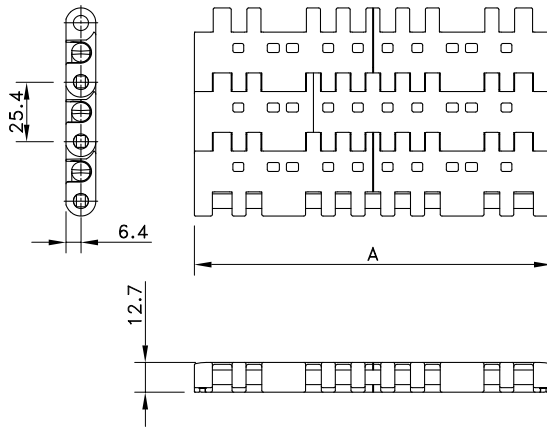
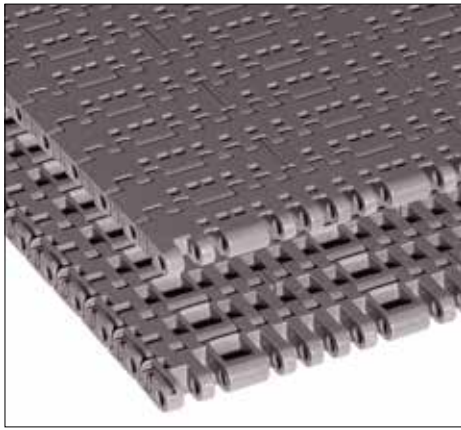
* In code numbers xx corresponds with the belt width (A). Standard widths of these belts begin at 6" with 3" increments up to 120". Special widths start from 5" with 1/2" increments. see also page 208. Upon request 7705 belts can be supplied in metric versions. Please contact Customer Service for more details.



Dynamic Transfer System (DTS®)



Perforated Top 7706



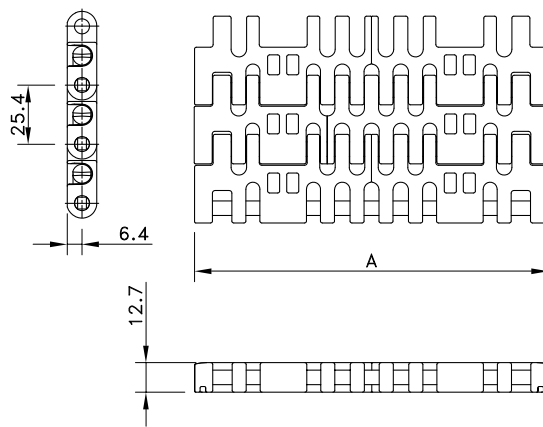
Assembly	Belt Type	Code Number*	Temperature range °C		Working Load (max.) N/m (21°C)	Weight kg/m ²	Backflex Radius (min.) mm
			Dry	Wet			
HP-Acetal with Polypropylene Pins							
Standard	HP 7706	I7706HPKxx	-40 to +80	-40 to +65	43000	13.18	25

* In code numbers xx corresponds with the belt width (A). Standard widths of these belts begin at 6" with 3" increments up to 120". Special widths start from 5" with 1/2" increments. See also page 208.

For DTS, modules from page 172 are used.

7706 belts can be supplied in metric versions upon request.

Perforated Top 7708

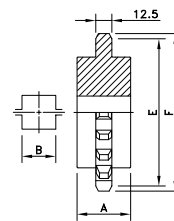
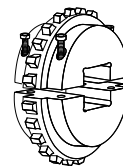
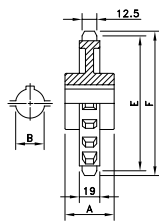


Assembly	Belt Type	Code Number*	Temperature range °C		Working Load (max.) N/m (21°C)	Weight kg/m ²	Backflex Radius (min.) mm
			Dry	Wet			
HT-Polypropylene with Polypropylene Pins							
Standard	HT 7708	I7708HTKxx	4 to 100	4 to 100	26000	7.81	25

* In code numbers xx corresponds with the belt width (A). Standard widths of these belts begin at 9" with 3" increments up to 120". Special widths start from 5" with 1/2" increments. See also page 208.

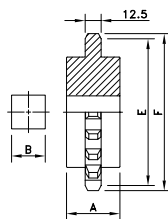
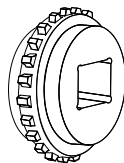
Split Sprockets Injection Moulded

Split Sprockets Machined



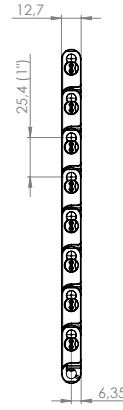
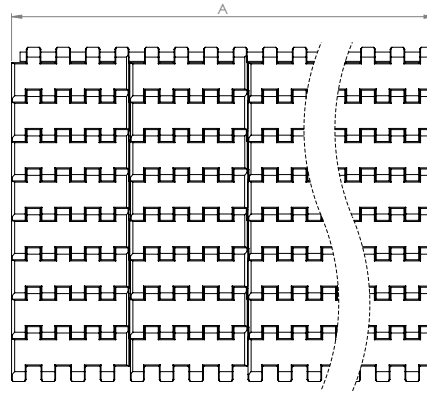
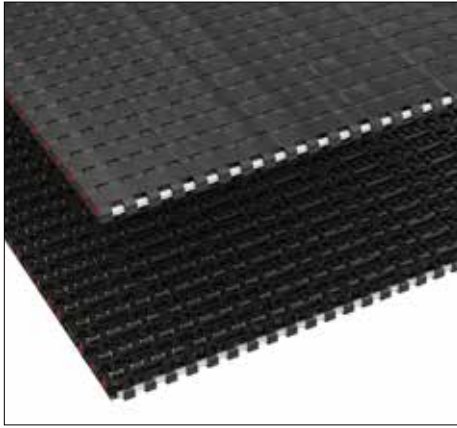
Sprocket Type	Code Number	Number of Teeth	Bore	Pitch Diameter	Outside Diameter	Hub Width
			B	E	F	A
Round Bores						
mm/inch						
NS7700-16T_25MM_1KW_PA	10028572	16	25	130.2	130.6	51
NS7700-16T_30MM_1KW_PA	10019897	16	30			
NS7700-16T_35MM_1KW_PA	10331967	16	35			
NS7700-16T_40MM_1KW_PA	10028573	16	40			
NS7700-18T_25MM_1KW_PA	10028579	18	25	146.3	146.9	
NS7700-18T_30MM_1KW_PA	10019875	18	30			
NS7700-18T_35MM_1KW_PA	10028581	18	35			
NS7700-18T_40MM_1KW_PA	10028583	18	40			
NS7700-21T_25MM_1KW_PA	10028594	21	25	170.4	170.7	
NS7700-21T_30MM_1KW_PA	10331629	21	30			
NS7700-21T_35MM_1KW_PA	10331966	21	35			
NS7700-21T_40MM_1KW_PA	10028595	21	40			
Square Bores						
KUS7700-16T_40MM_S_PA	10332278	16	40	130.2	130.6	51
KUS7700-18T_40MM_S_PA	10332294	18	40	146.3	146.9	
KUS7700-18T_50MM_S_PA	10332896	18	50			
KUS7700-21T_40MM_S_PA	10332282	21	40	170.3	170.7	
KUS7700-21T_50MM_S_PA	10332884	21	50			
KUS7700-21T_60MM_S_PA	10333321	21	60			

Classic Sprockets Machined



Sprocket Type	Code Number	Number of Teeth	Bore	Pitch Diameter	Outside Diameter	Hub Width
			B	E	F	A
mm/inch						
Square Bores						
KU7700-18T_50MM_S_PA	10332774	18	50	146.3	146.9	51
KU7700-18T_60MM_S_PA	10072754	18	60			
KU7700-21T_50MM_S_PA	10332777	21	50	170.3	170.7	
KU7700-21T_60MM_S_PA	10333240	21	60			
KU7700-21T_65MM_S_PA	10333456	21	65			

Round bores are available upon request.



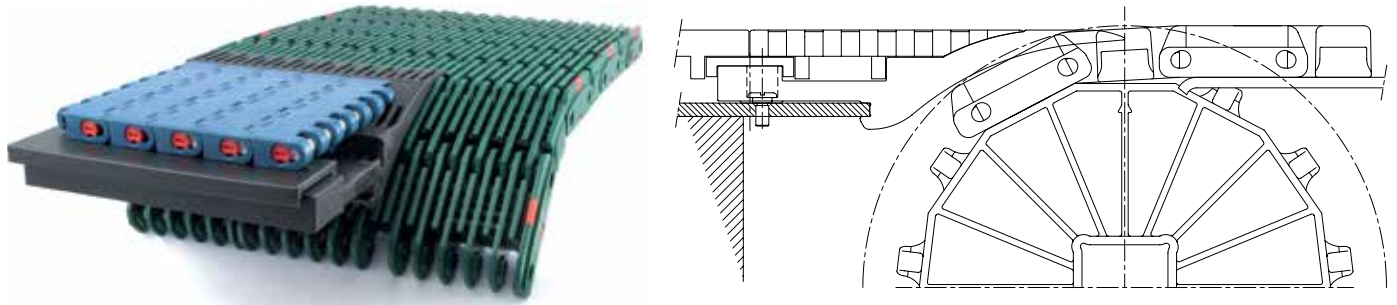
Temperature Range GLA Material

Available Widths	Available Widths	Fahrenheit		Celsius		Working Load		Approximate Weight		Backflex Radius	
		min	max	min	max	lbs/ft	N/m	lbs/ft ²	Kg/m ²	mm	inch
			dry/wet		dry/wet						
6" upto 240" with increments of 3"	GLA, BWX	0°F	140°F	-18°C	60°C	25,814	35,000	2.765	13,5	25	0.9843

The 2000-Series 2-inch pitch belt is typically used in heavy-duty applications, such as pasteurizers, palletizers and accumulation tables. The modules are designed with rigid cross ribs and the multi-angular sprockets support the modules optimally. As a standard the belts are supplied in high-temperature and chemical resistant polypropylene.

Features

- Pin retention by means of clips for easy installation and maintenance.
- Cross rib design creating a high stiffness of the modules to handle huge product loads and taking care of a flat surface for optimum product handling.
- Superb product handling from and onto the belt by using DTS-C® transfer system in combination with Raised Rib 2000.



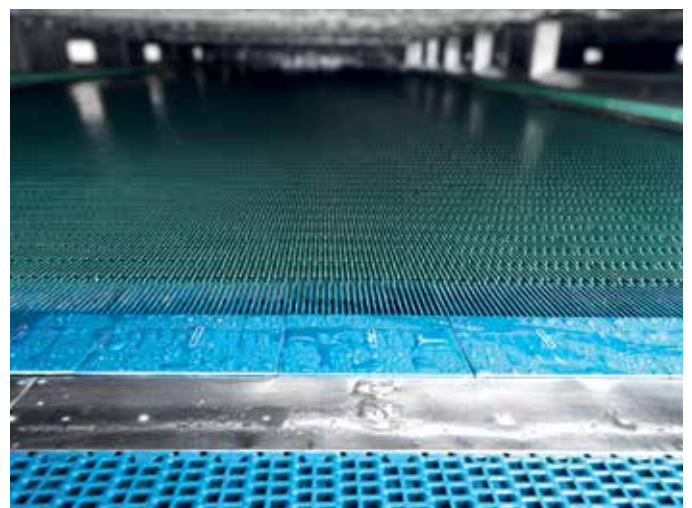
This system consists of a static fingerplate combined with a moving DTS® or FreeFlow belt. The belt is positioned in the surface of the DTS-C® fingerplate, enabling self-clearing transfers; this is important if changing from one product batch to another in a filling/processing line and if “hot-filled” products should not stay on the infeed transfer of the cooler.

The DTS-C® transfer eliminates sweepers for better line efficiency. The DTS® belt in the system and the chain or belt on the main infeed or outfeed conveyor are supported by the same central wearstrip on the fingerplate, saving installation time and avoiding conveyor height adjustments.

Programme	
2000 Flat Top (FT)	Closed surface; for large and heavy products
2000 Flush Grid (FG)	31% Open area; this guarantees optimum water- and airflow and allows pollution to fall through; suitable for amongst others food and automotive applications
2000 Raised Rib Heavy Duty (RRHD)	27% Open area; reinforced to deal with the difficult conditions in (one way) glass pasteurizers and dual purpose applications (cans and bottles)
2000 Super Rib (SR)	27% Open area; Full reinforced Super Rib design. Designed to deal with the difficult conditions in Glass pasteurizers and dual purpose applications (cans and bottles). SR 2000 chains are also suitable for PET handling
Positrack	Lugs in Raised Rib executions for reliable and accurate tracking of the belt in pasteurizer tunnels, allowing optimal use of the belt surface
Fingerplates	DTS® System for self-clearing transfers, standard click-comb for cans and click-comb for glass applications, resulting in precise transfers

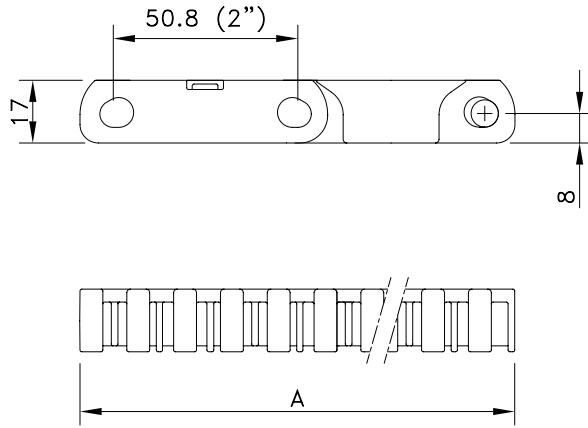
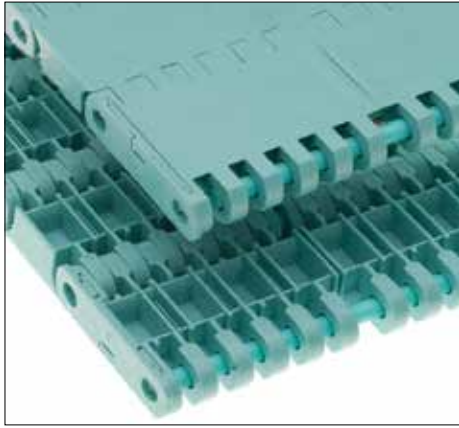


Glass bottle warmer with 2000 raised rib belt and DTS-C® transfer



Bottle accumulating on 2000 belt

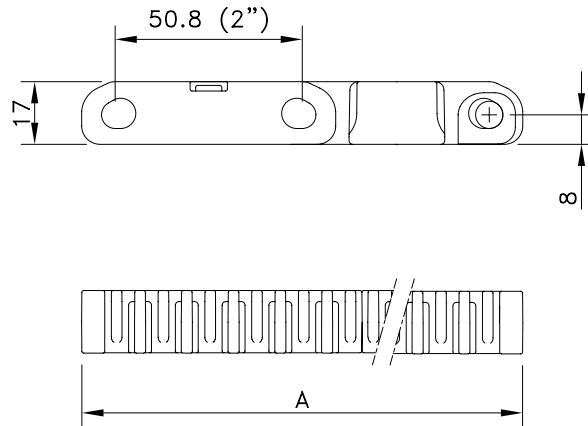
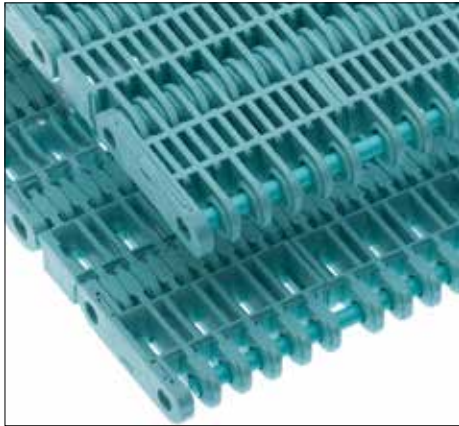
Flat Top 2000



Assembly	Belt Type	Code Number*	Temperature range °C		Working Load (max.) N/m (21°C)	Weight kg/m ²	Backflex Radius (min.) mm
			Dry	Wet			
XP-Polypropylene with Polypropylene Pins							
Standard	XP 2000 FT	838.30.xx	4 to 104	4 to 104	29500	8.20	45

* In code numbers xx corresponds with the belt width (A), starting with 10 for 3", 11 for 6" and so on in steps of 3". See also page 223.

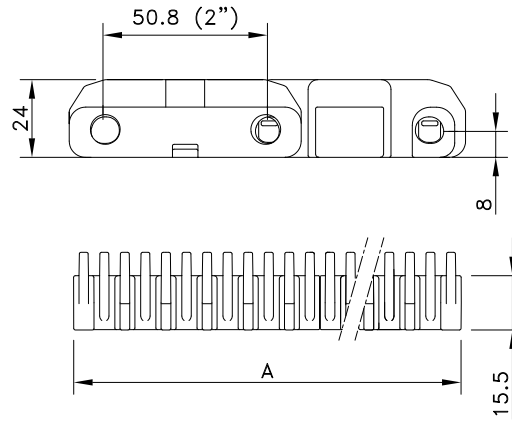
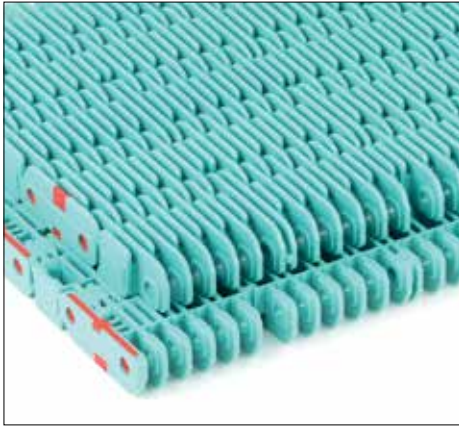
Flush Grid 2000



Assembly	Belt Type	Code Number*	Temperature range °C		Working Load (max.) N/m (21°C)	Weight kg/m ²	Backflex Radius (min.) mm
			Dry	Wet			
XP-Polypropylene with Polypropylene Pins							
Standard	XP2000FG	838.40.xx	4 to 104	4 to 104	29500	7.55	35

* In code numbers xx corresponds with the belt width (A), starting with 10 for 3", 11 for 6" and so on in steps of 3". See also page 223.

Raised Rib 2000 Heavy Duty

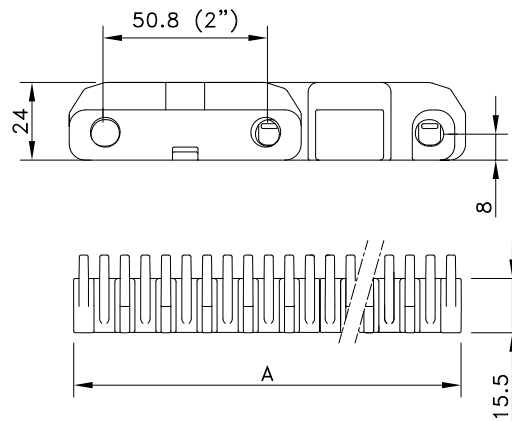
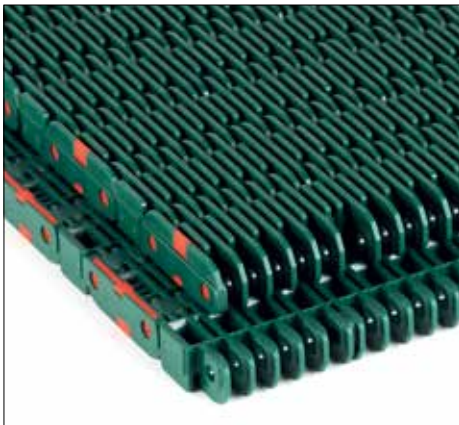


Assembly	Belt Type	Code Number*	Temperature range °C		Working Load (max.) N/m (21°C)	Weight kg/m ²	Backflex Radius (min.) mm
			Dry	Wet			
XP-Polypropylene with Polypropylene Pins							
Standard	RRHD 2000 XP	838.10.xx	4 to 104	4 to 104	29500	10.60	75
Positrack	RRHDP 2000 XP	838.90.xx					

* In code numbers xx corresponds with the belt width (A), starting with 10 for 3", 11 for 6" and so on in steps of 3". 2000 Belts with Positrack start with 12 for 9". See also page 223.

Chain assembly tool (chain tensioner) code 10361333.

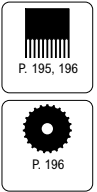
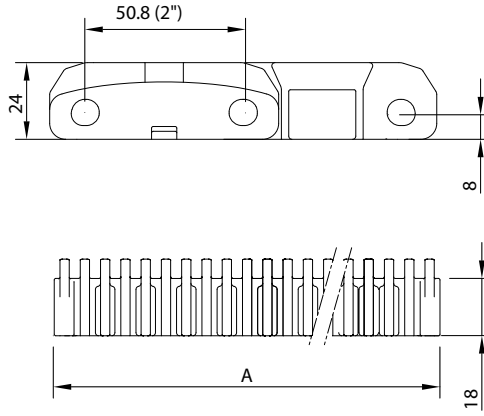
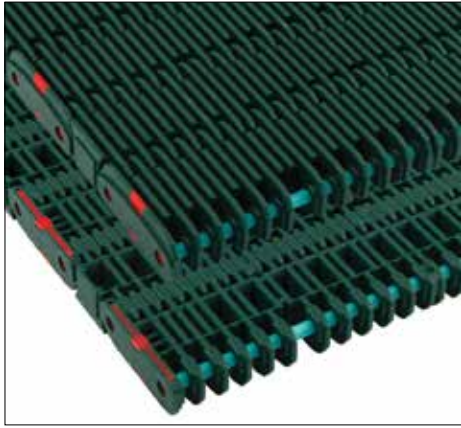
Raised Rib 2000 Heavy Duty



Assembly	Belt Type	Code Number*	Temperature range °C		Working Load (max.) N/m (21°C)	Weight kg/m ²	Backflex Radius (min.) mm
			Dry	Wet			
USP-Polypropylene with Polypropylene Pins							
Standard	USP2000RRHD	881.60.xx	4 to 104	4 to 104	29500	11.20	75
Positrack	USP2000RRHD-XXMM_PT	881.90.xx					

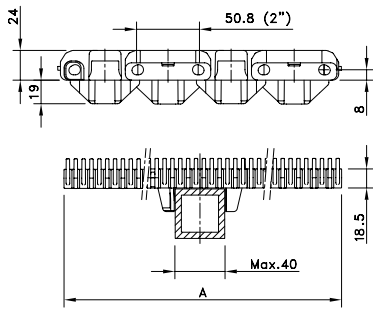
* In code numbers xx corresponds with the belt width (A), starting with 10 for 3", 11 for 6" and so on in steps of 3". 2000 Belts with Positrack start with 12 for 9". See also page 223.

Super Rib 2000



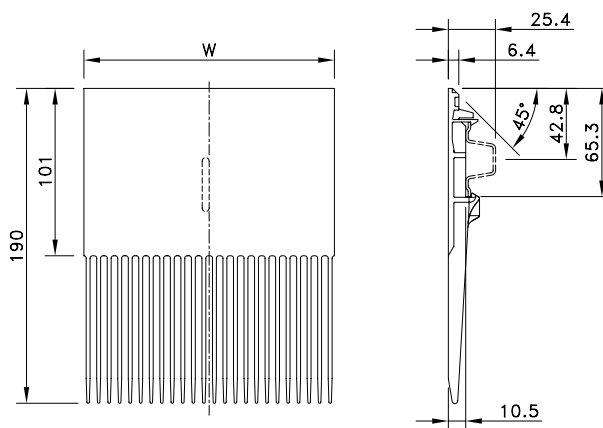
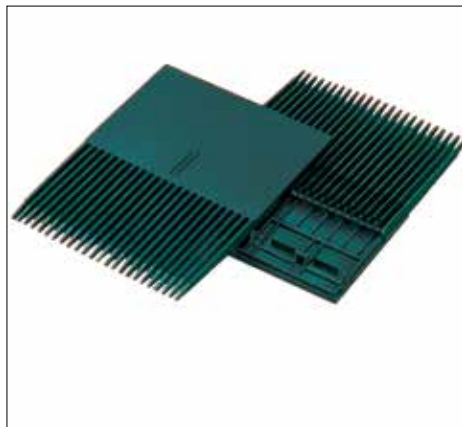
Assembly	Belt Type	Code Number*	Temperature range °C		Working Load (max.) N/m (21°C)	Weight kg/m ²	Backflex Radius (min.) mm
			Dry	Wet			
USP-Polypropylene with Polypropylene Pins							
Standard	USP2000SR	881.50.xx	4 to 104	4 to 104	29500	11.20	75
Positrack	USP2000SR-XXMM_PT	881.80.xx					

* In code numbers xx corresponds with the belt width (A), starting with 10 for 3", 11 for 6" and so on in steps of 3". 2000 Belts with Positrack start with 12 for 9". See also page 208.



Super rib 2000 belt with positrack in the center of the belt or 1.5" Offset, depending on the width.

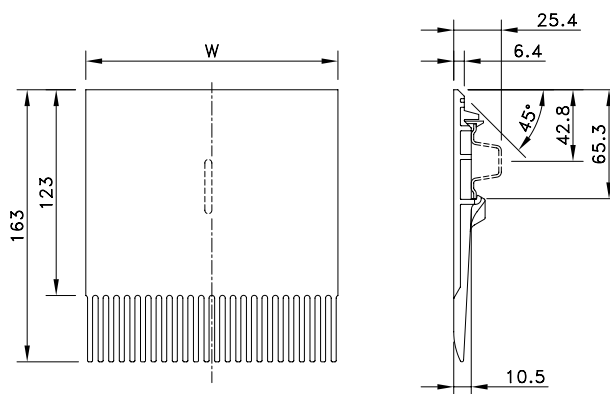
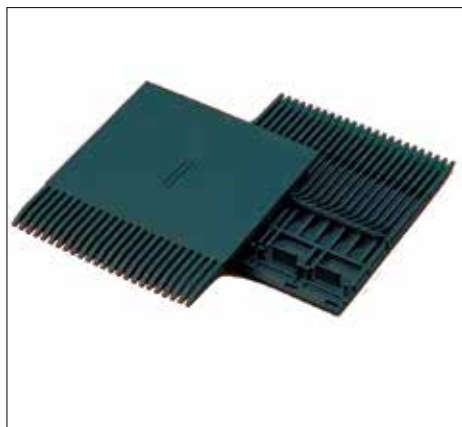
Click-Comb Fingerplates Standard



'Click-Comb' Fingerplate type	Code Number	Length	Width W	Weight ≈
		mm	mm	kg
XLG-Acetal				
TRAN PLT COMB XLG2000 190X152MM_OMEGA	10147612	190	151	0.16

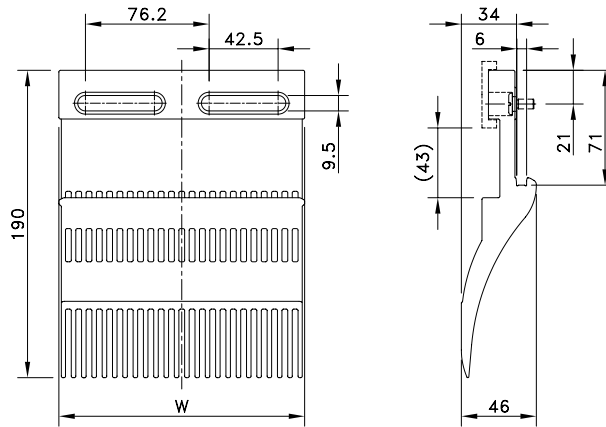
Standard fingerplates are not recommended to be used in combination with SR2000

Click-Comb Fingerplates for Glass Handling



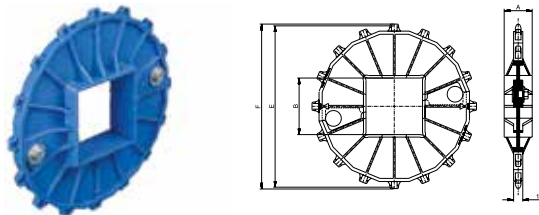
'Click-Comb' Fingerplate type	Code Number	Length	Width W	Weight ≈
		mm	mm	kg
XLG-Acetal				
TRAN PLT COMB XLG2000 163X152MM_GLASS	10147614	163.1	151	0.16

DTS-C® Transfer System for Pasteurizers

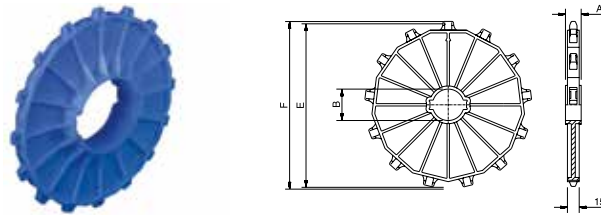


Product	Code Number	Length	Width W	Weight ≈
		mm	mm	kg
Reinforced Polyamide				
TRAN PLT DTS-C 2000-1005 190X152MM WH	10296369	190	152	0.25
*DTS-C is optimized for 16 tooth sprocket size				
Wearstrip DTS-C 2000				
CHN GUIDE 362 C-PROF W41XT4MM BK 6.05M	10324496	6		

Split Sprockets



Classic Sprockets



Sprocket Type	Code Number	Number of Teeth	Bore	Pitch Diameter	Outside Diameter	Hub Width
			B	E	F	A
			mm/inch	mm	mm	mm
Split Sprockets						
Square bores						
NS2000-16T_65MM_S_POM	10298195	16	65	260.4	262.0	45
NS2000-16T_90MM_S_POM	10298196	16	90			
NS2000-16T_120MM_S_POM	10334389	16	120			
Classic Sprockets						
Round bores						
N2000-13T_65MM_2KW_POM	10334305	13	65	212.3	209.0	30
N2000-16T_90MM_2KW_POM	10148122	16	90	260.4	262.0	45
Square bores						
N2000-10T_40MM_S_POM	10334296	10	40	164.4	163.1	20
N2000-10T_60MM_S_POM	10334297	10	60	164.4	163.1	30
N2000-13T_90MM_S_POM	10334310	13	90	212.3	209.0	45
N2000-16T_65MM_S_POM	10334314	16	65	260.4	262.0	30
N2000-16T_90MM_S_POM	10334315	16	90	260.4	262.0	45
N2000-16T_120MM_S_POM	10297110	16	120	260.4	262.0	

The 2010-Series 2-inch pitch belts can be used in a large variety of food applications. These belts are used on deboning and trimming lines as well as medium- and heavy-duty elevators. Due to the various executions and the large range of accessories, a tailor-made solution for each food handling application is possible.

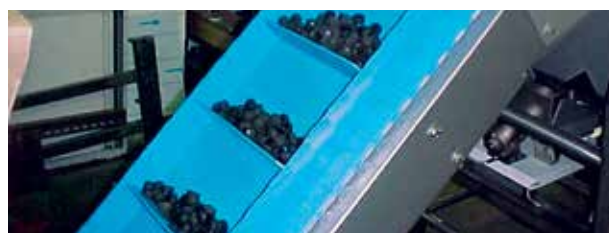
Features

- The modules are flush all around and do not have closed or hidden pockets. Especially the large open area between the rows of hinge eyes underneath the belt offer very good accessibility for cleaning. The rod retention area is very easy to clean and because of the absence of rims or hidden areas there is no risk of dirt and debris accumulating.
- This belt is very easy to assemble or disassemble, due to the integrated locking system. With a screwdriver the rod retention finger can be positioned in either the 'locked' or the 'unlocked' position.
- The extended hinge eyes underneath the belt provide a large footprint, reducing contact pressure and wear. The connection of the hinge eyes with the top plate is very rigid, giving the belt excellent impact resistance. The large rod diameter also means less pressure and wear reduction in the hinges.
- The design of the sprocket and the belt has been optimised to ensure an excellent drive, up to the maximum working load of the belt during its whole life. The machined sprockets have excellent strength and cleanability.

Programme	
2015 Solid Top	Closed surface; allows cutting and deboning on the belt surface; it offers the best support to vulnerable products and prevents loss of small products
2016 Perforated Top	20% open area; this allows optimum drainage and airflow in combination with good product support due to the rectangular slots
2011 Textured Top	Small nubs prevent sticking of soft and frozen products and sliding on the belt surface
Belt accessories	Straight, curved and bucket flights for elevators and other food applications. These can be combined with conventional sideguards and integrated siderails.



Inclined conveyor for chips FTR2015 mattop chain



Confectionary elevating on 2015 mattop chain



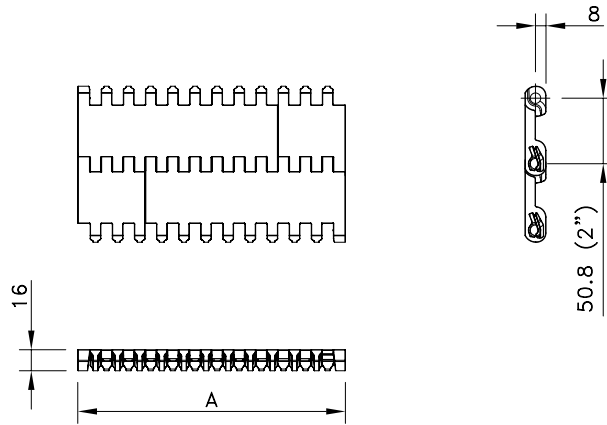
Chicken deboning line with 2015 mattop chain



Infeed of inclined conveyor with 2010 isr6

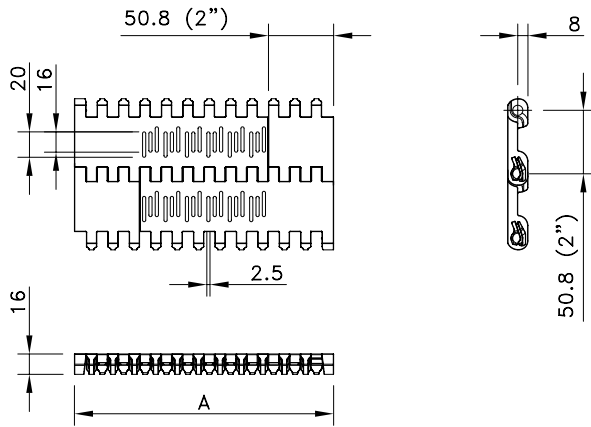
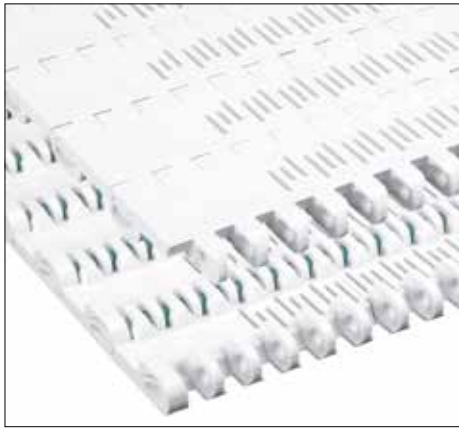


Solid Top 2015



Assembly	Belt Type	Code Number*	Temperature range °C		Working Load (max.) N/m (21°C)	Weight kg/m ²	Backflex Radius (min.) mm
			Dry	Wet			
Polyethylene with Polyethylene Pins							
Standard	WLT 2015	846.04.xx	-70 to +35	-70 to +35	7500	9.50	87
Standard	BLT 2015	846.05.xx	-70 to +35	-70 to +35	7500	9.50	87
Polypropylene with Polypropylene Pins							
Standard	WHT 2015	849.04.xx	4 to 104	4 to 104	15000	8.90	87
Standard	BHT 2015	849.03.6xx	4 to 104	4 to 104	15000	8.90	87
Acetal with Polypropylene Pins							
Standard	WSM 2015	844.03.xx	4 to 80	4 to 65	20000	13.60	87

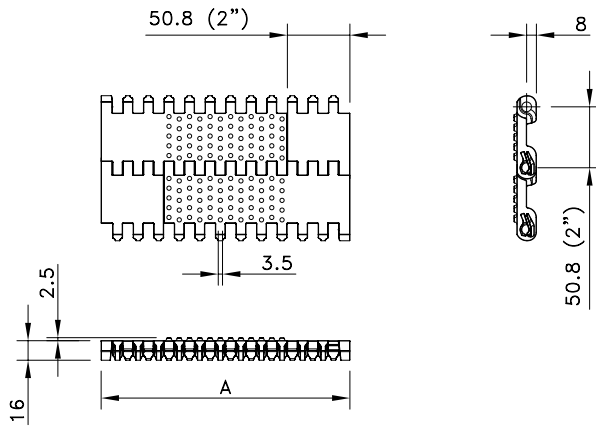
Perforated Top 2016



Assembly	Belt Type	Code Number*	Temperature range °C		Working Load (max.) N/m (21°C)	Weight kg/m ²	Backflex Radius (min.) mm
			Dry	Wet			
Polyethylene with Polyethylene Pins							
Mould To Order	WLT 2016	846.07.xx	-70 to +35	-70 to +35	7500	9.50	87
Mould To Order	BLT 2016	846.09.xx	-70 to +35	-70 to +35	7500	9.50	87
Polypropylene with Polypropylene Pins							
Mould To Order	WHT 2016	849.06.xx	4 to 104	4 to 104	15000	8.90	87
Mould To Order	BHT 2016	849.04.xx	4 to 104	4 to 104	15000	8.90	87
Acetal with Polypropylene Pins							
Mould To Order	WSM 2016	844.03.xx	4 to 80	4 to 65	20000	13.60	87

* Code numbers in the table correspond with 6" wide belts. Code numbers go up with 1 (e.g. 846.07.01, 846.07.02 etc.) for each standard 2" increment (8", 10" etc.) up to 120". Optionally 2/3" increments possible. See also page 208. If you require flights, sideguards or integrated siderail (ISR), please describe the belt by choosing from the options listed in the selection table on page 187.

Textured Top 2011



Assembly	Belt Type	Code Number*	Temperature range °C		Working Load (max.) N/m (21°C)	Weight kg/m ²	Backflex Radius (min.) mm
			Dry	Wet			
Polyethylene with Polyethylene Pins							
Mould To Order	WLT 2011	846.07.xx	-70 to +35	-70 to +35	7500	9.50	87
Mould To Order	BLT 2011	846.09.xx	-70 to +35	-70 to +35	7500	9.50	87
Polypropylene with Polypropylene Pins							
Mould to order	WHT 2011	849.06.xx	4 to 104	4 to 104	15000	8.90	87
Mould to order	BHT 2011	849.02.xx	4 to 104	4 to 104	15000	8.90	87
Acetal with Polypropylene Pins							
Mould to order	WSM 2011	844.04.xx	4 to 80	4 to 65	20000	13.60	87

* Code numbers in the table correspond with 6" wide belts. Code numbers go up with 1 (e.g. 846.07.52, 846.07.53 etc.) for each standard 2" increment (8", 10" etc.) up to 120". Optionally 2/3" increments possible. See also page 208.

If you require flights or sideguards, please describe the belt by choosing from the options listed in the 2nd column of the table:

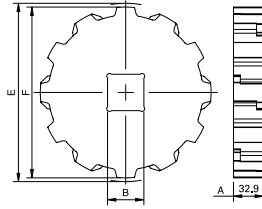
Material	WLT, BLT, WHT, BHT or WSM	
Belt type	2011, 2015 or 2016	
Width (A)	-XXIN	Belts with flights have a minimal width of 8"; smaller upon request
Flights	F1IN F5IN C4IN DRF2IN DRC4IN B4IN	Straight; standard height 1" to 4" or special in mm; all materials available Straight; standard height 5" or 6" Curved; height 4" or 6" Ribbed straight; height 2", 3" or 4" or special in mm Ribbed curved; height 4" or 6" Bucket flight; height 4" or 6"
Pitch between flights	T..P	Flights on every .. th row
Flight side-indent	N.. (in inches)	Minimal 1 1/3" with 2/3" increments; sideguards are situated at 1/3" from the flight, reducing the indent by 2/3"; if side-indent is 1 1/3", sideguards are directly besides the flight, reducing the indent by 1/3"
Sideguards	SG3, SG4 or S2IN	Standard height of 2", 3" or 4"
Integrated Siderail	ISR4 or ISR6	Standard height of 4" or 6" Other sizes up on request. Side Indent in combination with ISR is always 2 2/3" to the flight. Flights are positioned directly against the Integrated Siderail (ISR).

* Flight materials can differ from the belt material in some flight / belt combinations. F5 and F6 are heavy duty flights. Ribbed flights can be double ribbed (both sides) or single rib depending on material and execution.

Example: BLT 2016 K10 SG4 is a 2016 Perforated Top belt, made of blue polyethylene, width 10", no flights and 4" high sideguards.

Example: BHT2015 K24 C6 T4P ISR6, is a SolidTop belt, made of blue Polypropylene, width 24", with 6" high curved pushers every 6th row and 6" high Integrated Siderail (and therefore a side indent of 2 2/3")

Classic Sprockets



Type	Code Number	Number of Teeth	Bore	Pitch Diameter	Outside Diameter	Hub Width
			B	E	F	A
			mm/inch	mm	mm	mm

Classic Sprockets

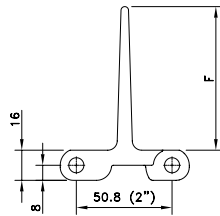
Square Bores

Type	Code Number	Number of Teeth	Bore	Pitch Diameter	Outside Diameter	Hub Width
KU2010-8T_40MM_S_UH	10332105	8	40	132.8	121.0	33
KU2010-10T_40MM_S_UH	10332108	10	40	164.4	154.0	
KU2010-10T_60MM_S_UH	10333216	10	60			
KU2010-12T_40MM_S_UH	10332111	12	40	196.3	188.0	
KU2010-12T_60MM_S_UH	10333219	12	60			

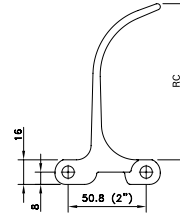
Accessory Information:



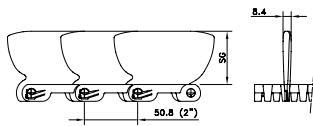
Straight Flight for 2010-Series



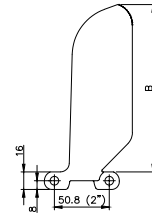
Curved Ribbed Flight for 2010-Series



Sideguards for 2010-Series



Bucket Flight for 2010-Series



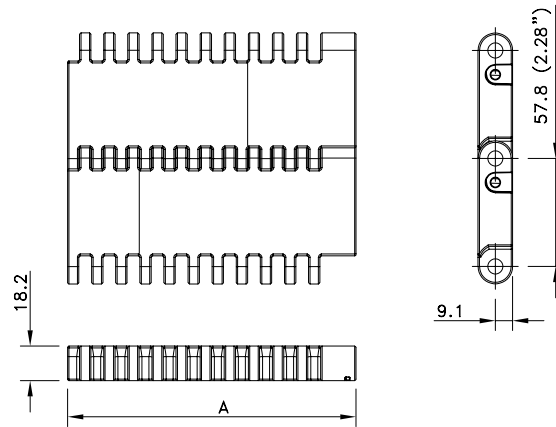
The 6990-Series 2¼-inch pitch heavy-duty MatTop chain is designed for the automotive industry, to be used in long and wide conveyors, without the requirement for tensioning. The 6990 technology is suitable for minimizing the overall conveyor height construction avoiding deep pit constructions. The high load capability of these belts allow the handling of people and cars in assembly lines, water and leak testing and car wash applications. The 6990-series is available in full plastic and in the so called hybrid versions which raise the performance level of plastic modular chains. Conveyors with lengths up to 656 ft (200m) and beyond are realized. The belts are standard supplied in high-performance Acetal with a closed surface or with a (non-skid) safety top surface.

Features

- High load capacity up to 50,000 N/m with standard pins and over 70,000 N/M with PBT Pins.
- Equally divided hinge eyes for higher chain stiffness.
- Long life chain design due to large pin diameter, optimum hinge eye width and proven wear resistant design of the chain underside.
- Easy installation and maintenance in combination with Twist-Lock® pin retention at both sides, which are easy to operate with just a screwdriver and prevent the loss of plugs; self-closing under influence of chain weight.
- Standard available in BSM Acetal and in BYSM with yellow sides for clear moving belt edge safety indication; upon request also available with red sides.
- Superior drive technology also under high loading, due to specific belt pocket and drive sprocket design.
- High strength indented pushers available for car wash and automotive applications.

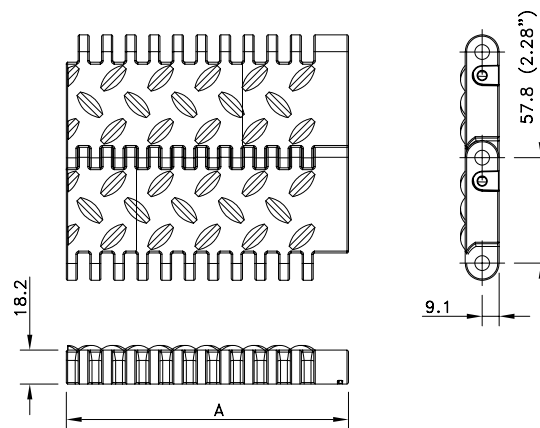
FEATURES	Rexnord 6990 Series MatTop Chain	Rexnord 6990 Series Hybrid MatTop Chain
High load capacity	High load distribution up to 50,000 N/m with standard polypropylene pins, over 70,000 N/m with PBT Pins.	Raised performance level for high loads, frequent load variation(people movers). Load distribution over N/m through steel tensions plates and steel pins.
Higher chain stiffness	Robust design with equally divided hinge eyes.	Integrated steel structure that creates high stiffness and strength. Smooth running chain eliminating slip-stick or pulsation. Realizing conveyors over 656 ft (200m) in applications moving people, vehicles or combinations.
Long life chain design	Large pin diameter. Optimized hinge eye width and proven wear resistant design of the chain underside.	Steel pin and wear plates guarantee extreme wear resistance.
Easy installation and maintenance	Twist-Lock® pin retention clips prevent the loss of plugs. Self-closing under influence of chain weight and easy to operate with just a screwdriver.	Twist-LockR pin retention clips prevent the loss of plugs. Self-closing under influence of chain weight and easy to operate with just a screwdriver.
Safety	Yellow or red sides for clear moving belt edge safety and belt tact zone indication. Available in flame retardant material.	Yellow or red sides for clear moving belt edge safety and belt tact zone indication. The ESD standard has the lowest surface resistivity of all competitive plastic modular chains (< 10 ¹ Ohms/m ² , NEN-EN-IEC 61340-4-5). Available in flame retardant material.
Superior drive technology	Smooth run due to specific belt pocket and drive sprocket design, also under high loading.	H-Style drive sprocket where sprocket tooth are located left and right of the steel Hybrid structure. Limited temperature expansion (only 10% of a plastic equivalent).
High strength indented pushers	Standard available for car wash and automotive applications.	Standard available for car wash and automotive applications.
Programme		
6995 Solid Top	Closed surface; suitable for automotive and people moving applications	
6999 Safety Top	Closed non-skid surface; prevents slipping in humid, greasy or wet environments	
6990 Hybrid H8 design	In eight (H8) tension plates per 12". The H8 is designed for extreme applications (high loads, increased chain stiffness) that require operation excellence.	
Module materials	BSM	Acetal
	FR/FRES	Flame retarded, meeting DIN 4102-B1
Belt accessories	T1-inch and T2-inch DIN style automotive pushers. These pushers meet the requirements of the DIN24446 standard. Pushers can be combined with 40mm high side guards. Side guards are available exclusively through selected industry channels.	
Sprockets	The machined sprockets can be supplied in many sizes in plastic or stainless steel; 6990 -9 sprockets up to 14 teeth and 6990 Hybrid sprockets (9 up to 30 teeth).	

Solid Top 6995



Assembly	Belt Type	Code Number*	Temperature range °C		Working Load (max.) N/m (21°C)	Weight kg/m ²	Backflex Radius (min.) mm
			Dry	Wet			
BSM-Acetal With Polypropylene Pins							
Standard	BSM 6995	I6995BSMKxx	4 to +80	4 to +65	51000	14.65	63.5
BYSM-Acetal With Polypropylene Pins							
Standard	BYSM 6995	I6995BYSMKxx	4 to +80	4 to +65	51000	14.65	63.5

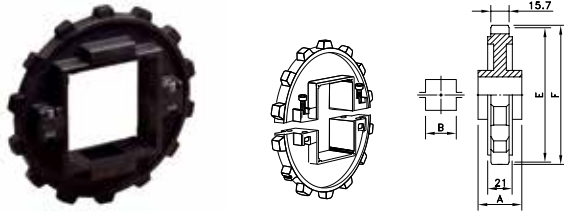
Safety Top 6999



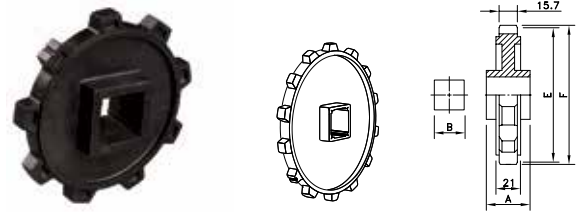
Assembly	Belt Type	Code Number*	Temperature range °C		Working Load (max.) N/m (21°C)	Weight kg/m ²	Backflex Radius (min.) mm
			Dry	Wet			
BSM-Acetal With Polypropylene Pins							
Standard	BSM 6999	I6999BSMKxx	4 to +80	4 to +65	51000	14.65	63.5
BYSM-Acetal with Polypropylene Pins							
Standard	BYSM 6999	I6999BYSMKxx	4 to +80	4 to +65	51000	14.65	63.5

* In code numbers xx corresponds with the belt width (A). Standard widths of these belts begin at 9" with 6" increments up to 190"; special widths begin at 5" with ½" increments. See also page 223.

Split Sprockets



Classic Sprockets



Sprocket Type	Code Number	Number of Teeth	Bore	Pitch Diameter	Outside Diameter	Hub Width
			B mm/inch	E mm	F mm	A mm

Split Sprockets

Square Bores

NS5996-9T_90MM_S_PA	10027448	9	90	167.1	164.1	48
NS5996-12T_90MM_S_PA	10027449	12	90	220.8	221.0	
NS5996-14T_90MM_S_PA	10028558	14	90	256.8	256.5	
NS5996-14T_120MM_S_PA	10131451	14	120			

Classic Sprockets

Square Bores

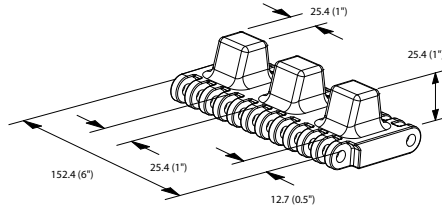
N5996-7T_40MM_S_POM	10013574	7	40	131.7	125.5	48
N5996-9T_40MM_S_HS	10012700	9	40	167.1	164.1	
N5996-9T_50MM_S_HS	10071980	9	50			
N5996-9T_65MM_S_HS	10070046	9	65			
N5996-14T_50MM_S_HS	10070602	14	50	256.8	256.5	
N5996-14T_65MM_S_HS	10069276	14	65			
N5996-14T_90MM_S_HS	10012489	14	90			

HS suitable for hot and humid applications.

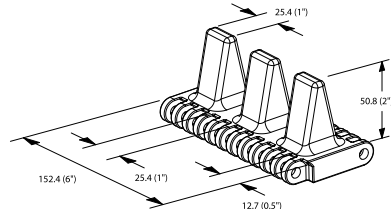
Accessory:



DIN Style Pusher 6990



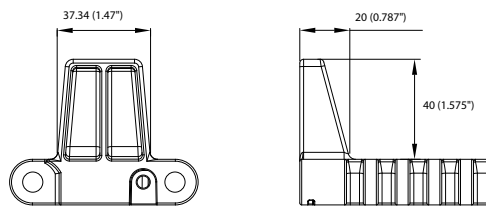
T1 Dimensions



T2 Dimensions

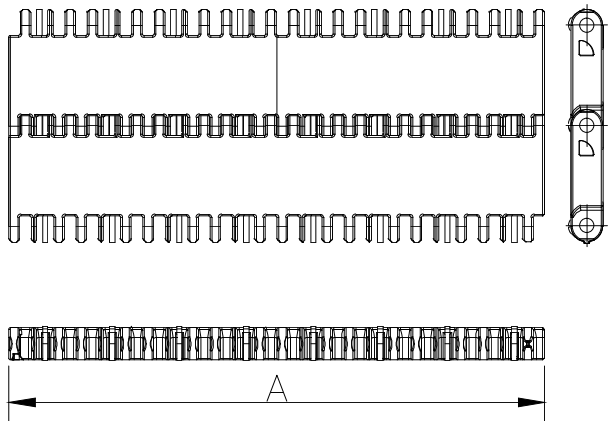


DIN Style Sideguard 6990



H40 Dimensions

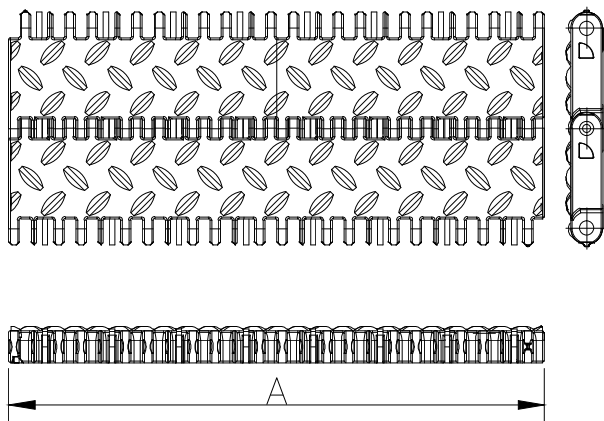
Solid Top 6995 H8



Chain Type	Code Number	Working Load (max)		Weight		Backflex Radius (min)		Certification
		lbs/ft	N/m	Lbs/ft ²	kg/m ²	in	mm	
BM								
BSM6995H8	I6995H8BMKxx	11.645	170.000	6.2	30.2	1.75	45	NEN-EN-IEC 61340-4-5

Kxx indicated the chain width (K12, K14,.....K228). BM Chain width available starting at 12-inches (306 mm) up to 234,9 inch (5967 mm) actual width with increments of 3 inches (76,5 mm).

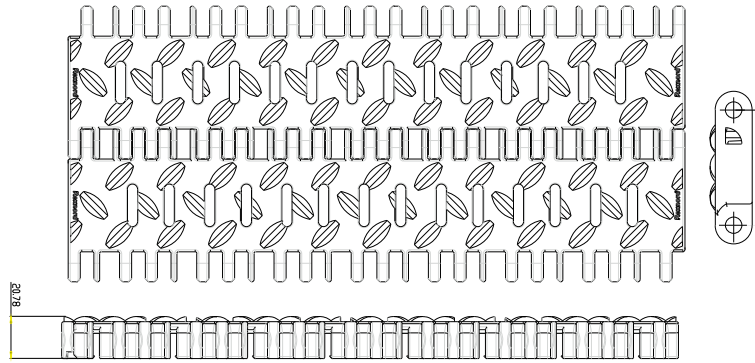
Safety Top 6999 H8



Chain Type	Code Number	Working Load (max)		Weight		Backflex Radius (min)		Certification
		lbs/ft	N/m	Lbs/ft ²	kg/m ²	in	mm	
BM								
BSM6999H8	I6999H8BMKxx	11.645	170.000	6.3	30.6	1.75	45	NEN-EN-IEC 61340-4-5

Kxx indicated the chain width (K12, K14,.....K228). BM Chain width available starting at 12-inches (306 mm) up to 234,9 inch (5967 mm) actual width with increments of 3 inches (76,5 mm).

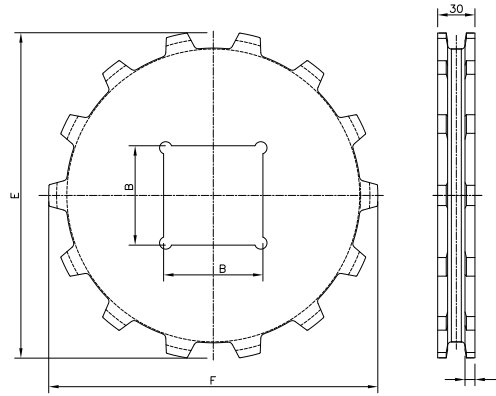
Perforated Top 6992 HYB H8



Chain Type	Code Number	Working Load (max)		Weight		Backflex Radius (min)		Certification
		lbs/ft	N/m	Lbs/ft ²	kg/m ²	in	mm	
BM - With Stainless Steel Pins								
BSM6999H8	I6999H8BMKxx	6.850	100.000	5.2	25.4	3.00	76.2	NEN-EN-IEC 61340-4-5

Kxx indicated the chain width (K12, K14,.....K228). BM Chain width available starting at 12-inches (306 mm) up to 234,9 inch (5967 mm) actual width with increments of 3 inches (76,5 mm).

KU6990 Hybrid

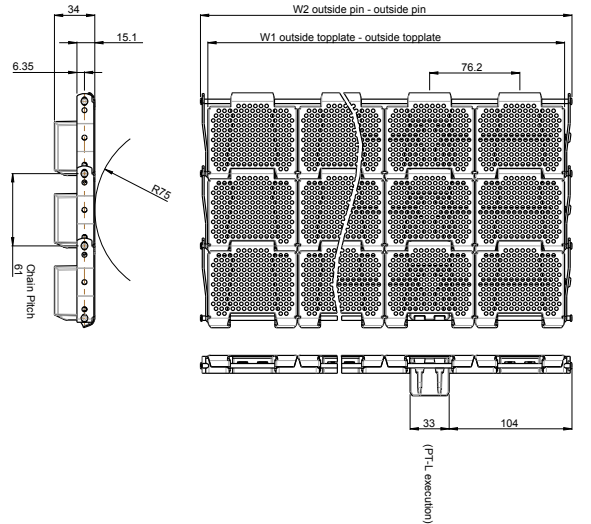
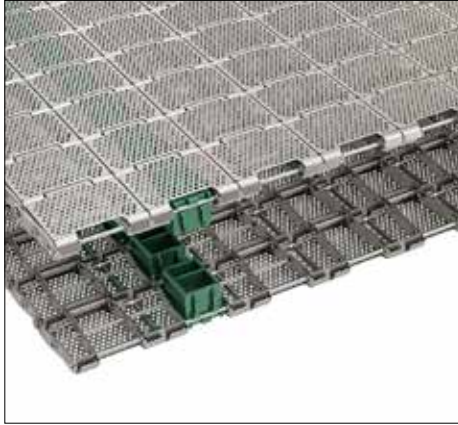


Sprocket Description	Number Of Teeth	Pitch Circle Diameter	Maximum Square Bore Size	Hub Width
		inch / mm	inch / mm	inch / mm
Solid				
KU6990 Hybrid T19	19	350,86	200	32
Split				
KUS6990 Hybrid T19	19	350,86	200	32

Other bore sizes, teeth and round bores are available on request. Please consult our technical support department for more information.

The Rexnord 9406 Series MatTop Chain is a full metal pasteurizer chain that has been specifically developed for glass container handling but is suitable for can applications as well. The robust design of the chain in combination with the perforated surface execution of the top plates minimizes downtime caused by broken glass. The stiffness of the chain results in no elastic elongation at the drive, a very smooth and steady forward motion which improves bottle stability. The stiffness also allows a minimal catenary of the chain which is beneficial when used in a double deck pasteurizer. The chain can be combined with a self-clearing dynamic transfer which guarantees all bottles being cleared of the pasteurizer without any human handling.

9406



		Temperature										Open Area
Top Plate Material	Matrod material	Fahrenheit		Celsius		Chain Strength		Approximate Weight		Backflex Radius		
		min	max	min	max	lbs/ft	N/m	lbs/ft ²	Kg/m ²	mm	inch	
			dry/wet		dry/wet							
Stainless steel	Stainless steel	39°F	219°F	+4°C	104°C	1507	22.000	3.072	15	75	2.953	29%



Rexnord 9406 Series MatTop Chain

The 3120-Series 3-inch pitch belt is Rexnord strongest plastic MatTop chain, primarily used for industrial-type applications including oil-change conveyors, 2 lane final assembly line conveyors, Skid and pallet handling conveyors, 2-lane water test conveyors and automotive parts handling. The chain has proven itself also in single lane car wash and single lane end-of-line inspection conveyors replacing conventional technology. It is moulded in high performance acetal and utilizes Twist-Lock® plugs as well as ½" diameter polyester or stainless steel pins. The chain is available with several accessories like T1-inch and T2-inch automotive pushers and sideguards, all meeting the DIN24446 standard. The pushers are designed to be driven over and ensure a controlled handling of any size vehicles on top of the chain. This bricked chain is available from 4-inch wide with increments of 2-inch. Sprockets are available in solid or split execution and in several materials in robust design to handle increased loads.

Features

- Ultra high load capacity of 115,000 N/m (strongest plastic MatTop chain available). No need for (stainless) steel pins to reach maximum working load reducing overall chain weight and power consumption.
- Equally divided hinges combination with large ½" pin diameter provide very high stiffness.
- Long life design due to large pin diameter, optimum hinge eye width and proven wear resistant design of the chain underside (large contact surface).
- Easy installation and maintenance in combination with Twist-Lock pin retention at both sides, which are easy to operate with just a screwdriver and prevent the loss of plugs; self-closing under influence of chain weight.
- Superior drive technology also under high load and heavy duty circumstances, due to specific belt pocket and sprocket design.
- High strength pushers available intended for automotive and industrial usage.
- Available in SolidTop (3125), SafetyTop (3129) and RubberTop 3125 surface execution to meet any application conditions requirement.
- Standard available in BSM and in BYSM with yellow sides for clear moving belt edge safety indication; upon request also available with other color sides.
- High strength DIN style Automotive T1-inch and T2-inch pushers and H40-mm Sideguards available intended for automotive and industrial usage (sideguards are available exclusively through selected industry channels). Pushers and sideguards both meet the requirements of the DIN24446 standard.
- Belt can be equipped with T1 or T2 automotive pushers and or sideguards, please indicate pushers with T1 or T2 followed by the spacing of the pushers (e.g T18P means every 18th row). Indicate sideguard with SG40. Side indent to the pusher is minimum ½" with 2" increments.
- Chain is standard equipped with Polyester (PBT) pins. On request the chain can be equipped with stainless steel pins and in other chain materials as well.

Programme	
3125 Solid Top	Close Surface, suitable for any kind of industrial and automotive application
3129 SafetyTop	Closed non-skid surface; prevents slipping in wet, greasy or humid environments.
Belt accessories	T2-inch pushers available. Robust pushers designed to be driven over by vehicles

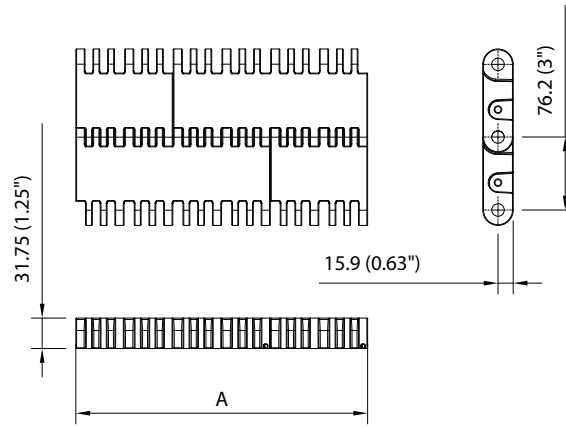
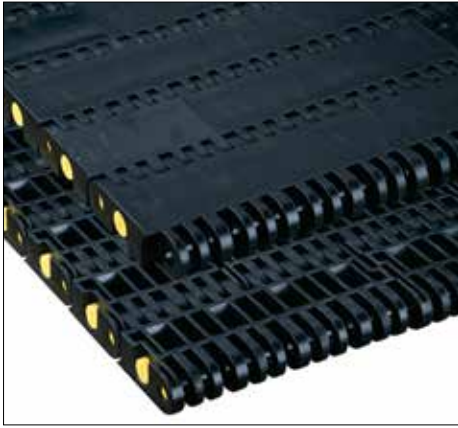


Exterior carwash entry 3125 belt conveyor with t2 pushers



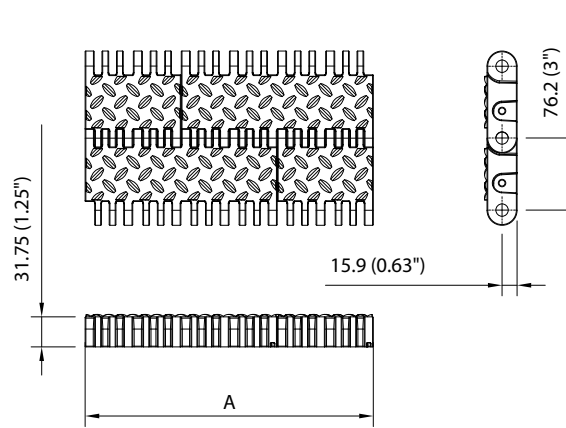
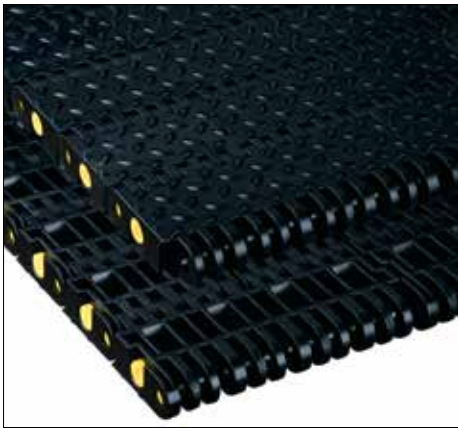
3125 End of line inspection belt conveyor with t2 din pushers

Solid Top 3125



Assembly	Belt Type	Code Number*	Temperature range °C		Working Load (max.) N/m (21°C)	Weight kg/m ²	Backflex Radius (min.) mm
			Dry	Wet			
Acetal With Polyester Pins							
Standard	BSM 3125	I3125BSMKxx	-30 to +80	up to 65	115000	31.10	76.2

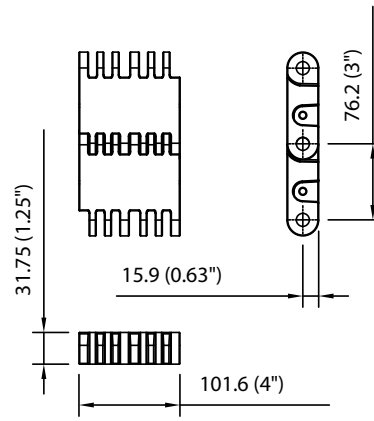
Safetytop 3129



Assembly	Belt Type	Code Number*	Temperature range °C		Working Load (max.) N/m (21°C)	Weight kg/m ²	Backflex Radius (min.) mm
			Dry	Wet			
Acetal With Polyester Pins							
Standard	BSM 3129	I3129BSMKxx	-30 to +80	up to 65	115000	31.10	76.2

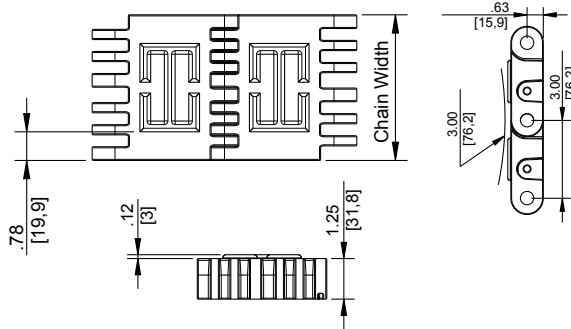
* In code numbers xx correspond with the belt width (A). Standard width of these belts begin at 4" with 2" increments up to 190"; 4" and 8" execution are mold-to-width executions. See page 223.

BSM3125-K4 MTW



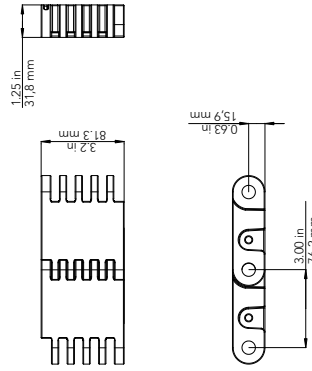
Assembly	Belt Type	Code Number*	Temperature range °C		Working Load (max.) N (21°C)	Weight kg/m ²	Backflex Radius (min.) mm
			Dry	Wet			
Acetal With Polyester Pins							
Standard	BSM 3125 K4	I3125BSMK004	-30 to +80	up to 65	115000	31,10	76,2

Rubber Top 3125-K4



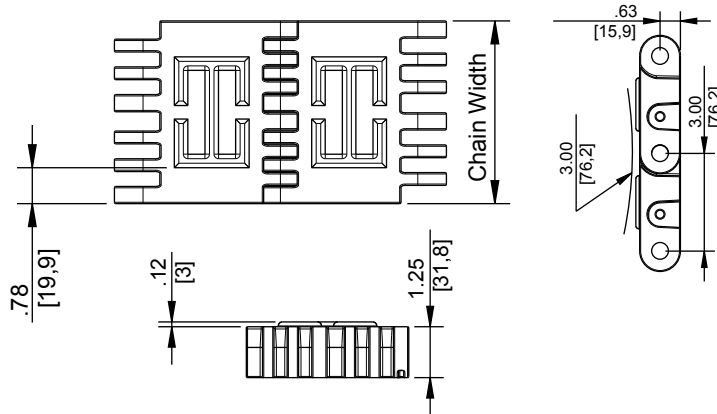
Assembly	Belt Type	Code Number*	Temperature range °C		Working Load (max.) N (21°C)	Weight kg/m ²	Backflex Radius (min.) mm
			Dry	Wet			
Acetal With Polyester Pins							
Standard	BSM 3125 RT-K4 MTW	876.29.10	-30 to +80	up to 65	115000	31,10	76,2
Standard	BSM 3185 RT-K3.2 MTW	I3185BSM3.2 -30	-30 to +80	up to 65	115000	31,10	76,2

Solid Top 3185-K3.2 MTW



Assembly	Belt Type	Code Number*	Temperature range °C		Working Load (max.) N/m (21°C)	Weight kg/m ²	Backflex Radius (min.) mm
			Dry	Wet			
Acetal With Polyester Pins							
Standard	BSM 3185 K3.2	I3125BSMK004	-30 to +80	up to 65	115000	31.10	76.2

Safetytop 3185-K3.2 Rubber Top



Assembly	Belt Type	Code Number*	Temperature range °C		Working Load (max.) N/m (21°C)	Weight kg/m ²	Backflex Radius (min.) mm
			Dry	Wet			
Acetal With Polyester Pins							
Standard	BSM 3185 RT-K3.2 MTW	I3185BSM3.2 -30	-30 to +80	up to 65	115000	31.10	76.2

Designed for long runs and heavy loads, the Rexnord 3125-4IN MTW HYB Series MatTop Chain and the Rexnord 3122 HYB MatTop Chain are the preferred solution.. The design includes solid stainless steel pins (rods) and 12 stainless steel tension plates per link. The construction provides superior stiffness and fatigue strength which improves running properties, mitigates pulsation and provides extended chain life.

Our heaviest duty chain design for heavy load conveying

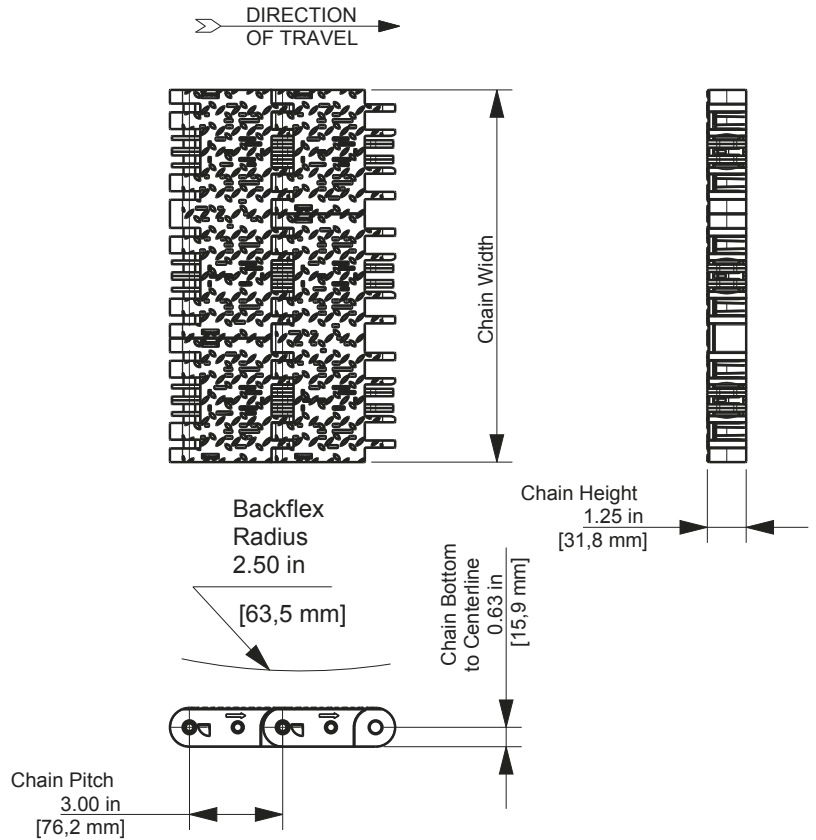
The Rexnord 3125-4IN MTW HYB Series MatTop Chain is designed for 4-inch (101mm) skid conveyors. The Rexnord 3125-4IN MTW SolidTop surface allows the skids to be aligned mechanically before transferring to the next conveyor. The RubberTop® feature ensures proper skid position in frequent start-stop operations; for example, buffer systems between the paint shop and the assembly department.

The Rexnord 3122- HYB MatTop Chain Series is offered in anti-slip safety top surface execution with perforations for drainage in wet environments and ventilation in inspection areas.



Conveyor equipped with Rexnord 3125 HYB 12 Series MatTop Chain.

3122HYB (MTW)



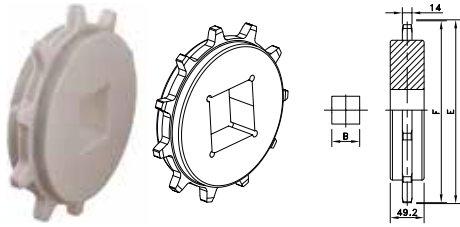
Chain Information

Chain Width			Number of Sprockets	Chain Strength	
desc	in	mm		lbs	N
4	4.0	101.6	1	6,000	26689

Available Materials

Prefix	Chain Material	Standard Pin Material	Temperature					Approximate Weight		
			Fahrenheit			Celsius				
			min	max dry	max wet	min	max dry	max wet	lbs/ft ²	Kg/m ²
Standard Materials										
BM	Black Material	Stainless Steel	-40	+180	+150	-40	+82	+66	11.61	56.67

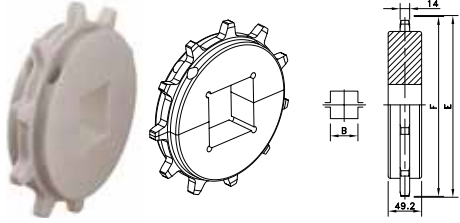
Classic Sprockets



Sprocket Type	Code Number	Number of Teeth	Bore	Pitch Diameter	Outside Diameter	Hub Width
			B	E	F	A
Classic Sprocket						
Square Bore						
KU3120-9T_60MM_S_PA	10333226	9	60	222.8	218.9	47.8
KU3120-9T_90MM_S_PA	10334667	9	90			
KU3120-10T_60MM_S_PA	10333227	10	60	246.6	244.1	
KU3120-10T_90MM_S_PA	10334668	10	90			
KU3120-11T_60MM_S_PA	10333228	11	60	270.5	269.1	
KU3120-11T_90MM_S_PA	10334669	11	90			

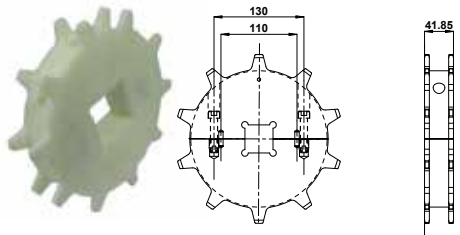


Split Sprockets



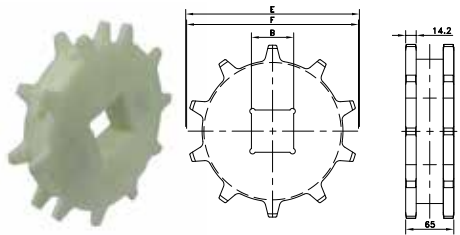
Split Sprockets						
Square Bore						
KUS3120-9T_60MM_S_PA	10333329	9	60	222.8	218.9	47.8
KUS3120-9T_90MM_S_PA	10334701	9	90			
KUS3120-10T_60MM_S_PA	10333330	10	60	246.6	244.1	
KUS3120-10T_90MM_S_PA	10334702	10	90			
KUS3120-11T_60MM_S_PA	10333331	11	60	270.5	269.1	
KUS3120-11T_90MM_S_PA	10334703	11	90			

H-Style 3180 Sprockets



H-Style 3180 Sprockets						
Square Bore						
KU3180-9T_60MM_S_PA_H	10328851	9	90	223	218.9	42
KU3180-10T_60MM_S_PA_H	10328845	10	60	246	244.1	
KU3180-11T_60MM_S_PA_H	10328839	11	90	270	269.1	

H-Style 3120 Sprockets

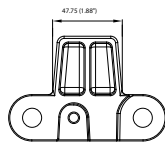


H-Style 3120 Sprocket						
Square Bore						
KU3120-8T_60MM_S_PA_H-HUB	10334885	8	60	199.1	193.5	65
KU3120-9T_60MM_S_PA_H-HUB	10363526	9	60	222.8	218.9	
KU3120-10T_60MM_S_PA_H-HUB	10383669	10	60	246.6	244.1	
KU3120-11T_60MM_S_PA_H-HUB	10328782	11	60	270.5	269.1	

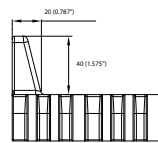
Other bores sizes (square and round) and number of teeth are available on request. Smallest possible sprocket has 8 teeth. Stainless steel sprockets available upon request.



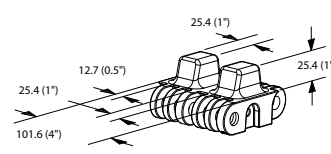
Din style sideguard 3120



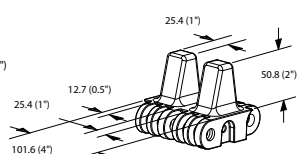
H40 dimensions



Din style pusher 3120



T1 dimensions

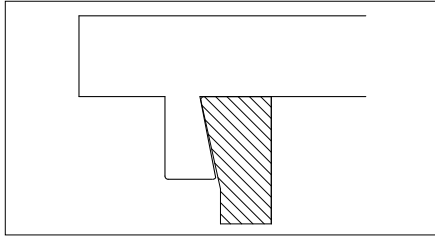


T2 dimensions

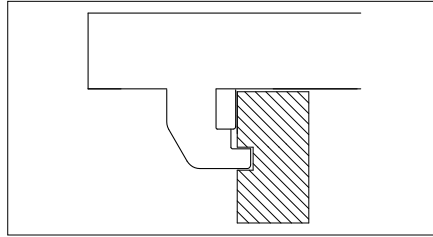
The sideliflexing belts range exists of ½-inch pitch 505, 1¼-inch pitch 1200 and 1¼-inch pitch 7956 belts, offering a solution for almost any curved application. As a standard the belts are supplied in low friction acetal for beverage, in acetal or polypropylene.

Features

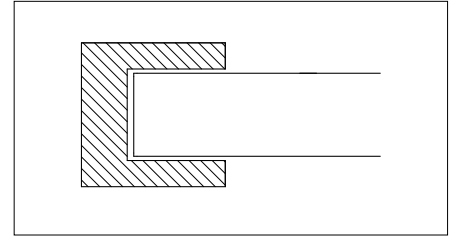
- In compliance with the industry standards, three curve guiding systems are offered:



RBP uses beveled Positrack lugs underneath the belt to guide the belt in the curve. The lugs run against a beveled strip, retaining the belt in the curve. This system enables easy removal of the belt from the conveyor for cleaning or maintenance. The conveyed product can be wider than the belt width as there is no wearstrip on top of the belt to hold it down.



RBT guiding uses Tabs underneath the belt to hold the belt down while running through the curve. Often the tabs can also be used to hang the belt in the return part of the conveyor. Depending on the construction chains MatTop with tabs are more difficult to remove from the conveyor for cleaning and maintenance.



RB (Flat belt without Tabs or Positrack) is suitable for the conventional guiding method, supporting the belt on its inner radius. The belt is held down in the curve by a wearstrip on top of the belt or by running through a U-channel. This method can also be applied in the return part. In this way it is difficult to remove the belt from the conveyor. The RB executions are also suitable for low-tension spiral applications.

- Belt and curve guiding materials have a PV (Pressure/Velocity)-limit determining the maximum speed or load in a specific application. Rexnords calculation software and engineering manuals will advise concerning the feasibility of a specific application. For spiral applications it is recommended to discuss with a qualified OEM retrofit or design details, to avoid overload issues or failures.

Programme	
505-Series	For small packed products and loose foodstuff; combines a small internal radius with minimum inline transfers and an open area of 10%; available in RBP.
1200-Series	For food, beverage, packaging and other industries. Combines a 39% open area and cleanable design with a surface optimized for product support. There are several types: <ul style="list-style-type: none"> 1255 standard execution; available in RBP and RB; RBT upon request 1255 SuperGrip with rubber for inclined and declined applications; available in RBP and RB 1265 combines standard 1255 inner modules with specially designed outer end modules with TAB and special sliding blocks for huge loading, high-speed possibilities; available in RBT on the outer radius, the inner radius can be equipped with RBP, RBT and RB 1275 combines standard 1255 outer modules with specially designed inner modules, creating a compact radius design from 1.2 collapse factor upwards; available in RBP, RBT and RB 1285 combines the 1265 outer and 1275 inner modules for high strength, high speed and compact design. RBT guiding on the outer radius, the inner radius can be equipped with RBP, RBT and RB
7956-Series	For large and heavy products in beverage and case handling applications; the inside radius is 2 times the belt width and the 16% open area offers maximum product support; the belt features the same strength rating for straight and curved sections. There are several types: <ul style="list-style-type: none"> 7956 NT without tabs 7956 TAB with original hold down tabs 7956 GT with high performance tabs with similar dimensions as the bearing option 7956 B with bearings every second row for high-speed and huge load applications
Belt accessories	Flights on 1255 for inclined and declined applications in food industry

1265/1285 Series product overview

The design of the 1265/1285 Series includes two versions:

- The 1265/1285/B versions are specifically designed for machined corner tracks
- The 1265/1285/G versions are specifically designed for curves equipped with Roller bearing

1265/1285 Series in machined curves

The 1265/1285 Series chains suitable for machined curves can be recognized by a brown coloured wearblock which is fitted into the guiding tab.



1265/1285/B

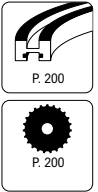
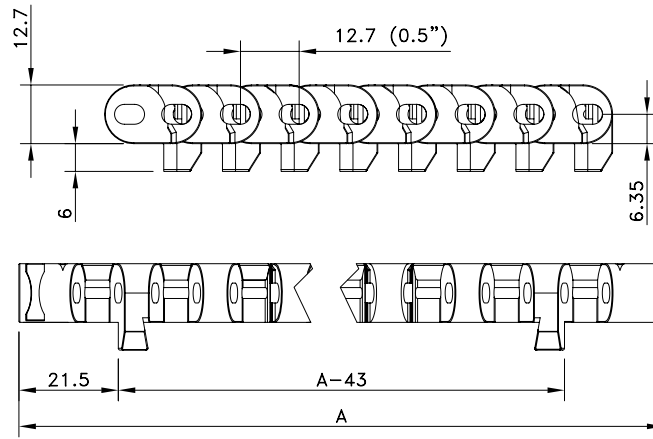
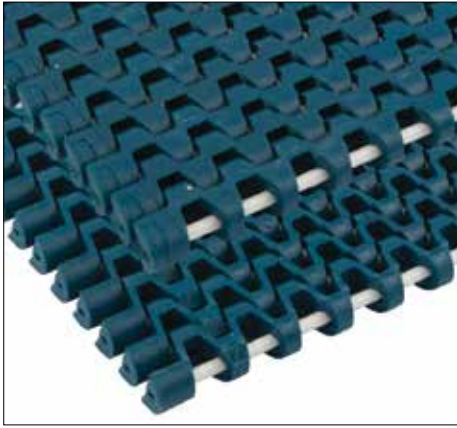
1265/1285 Series in curves with roller bearings

The 1265/1285 Series chains suitable for curves with roller bearings can be recognized by a grey coloured wearblock which is fitted into the guiding tab.



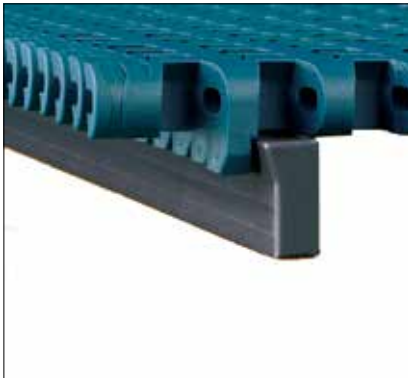
1265/1285/G

Radius 505



Assembly	Belt Type	Code Number*	Width A	Sideflex radius inside (min.)	Working Load (max.)		Temperature range °C		Weight	Backflex Radius (min.)
					Straight	in curve	Dry	Wet		
			mm	mm	N/m	N			kg/m ²	mm
XLG-Acetal With Reinforced Plastic Pins										
	RBP 505 XLG 255	867.30.12	255	510	15000	1300	-40 TO +80	-40 TO +65	10.0	15
	RBP 505 XLG 340	867.30.13	340	680						
	RBP 505 XLG 425	867.30.14	425	850						
	RBP 505 XLG 510	867.30.15	510	1020						
	RBP 505 XLG 595	867.30.16	595	1190						
	RBP 505 XLG 680	867.30.17	680	1360						

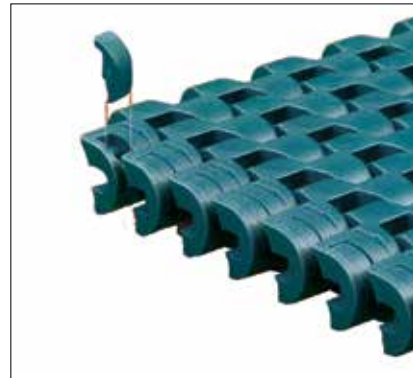
* In code numbers xx corresponds with the belt width (A), starting with 12 for 255 mm, 13 for 340 mm and so on with 85 mm increments up to 680 mm; wider belts available upon request. See also page 208.



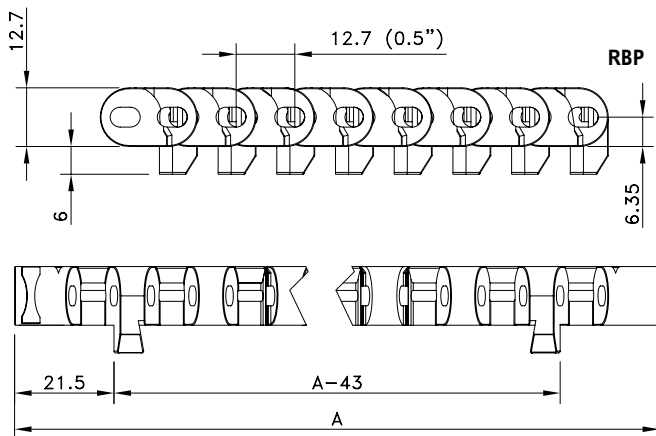
Curve guiding profile for 505



Standard positrack lugs on both sides



Pin retention clips for easy (dis)assembly

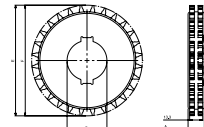
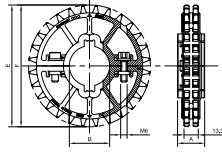
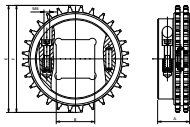


The curve guiding profile for the 505 has a standard length of 1.8 meters; it is made of MCC 3600 polyester for direct food contact, code nr. 800.00.13, ULF-profile: 10383606

Split Sprockets Machined

Split Sprockets Injection Moulded

Classic Sprockets



Sprocket Type	Code Number	Number of Teeth	Bore	Pitch Diameter	Outside Diameter	Hub Width
			B mm/inch	E mm	F mm	A mm

Split Sprockets Machined

Round Bores

KUS505-28T_25MM_2KW_PA	10331058	28	25 mm	113.4	113.4	33.5
KUS505-28T_30MM_2KW_PA	10331458	28	30 mm			
KUS505-28T_35MM_2KW_PA	10331811	28	35 mm			
KUS505-28T_1IN_2KW_PA	10326599	28	1.0"			

Square Bores

KUS505-28T_25MM_S_PA	10331057	28	25 mm	113.4	113.4	33.5
KUS505-28T_30MM_S_PA	10331457	28	30 mm			
KUS505-28T_1IN_S_PA	10326598	28	1.0"			

Split Sprockets Injection Moulded

Round Bores

NS505-28T_40MM_2KW_PA	10332337	28	40 mm	113.4	113.4	25.5
-----------------------	----------	----	-------	-------	-------	------

Square Bores

NS505-28T_40MM_S_PA	10148171	28	40 mm	113.4	113.4	25.5
---------------------	----------	----	-------	-------	-------	------

Classic Sprockets

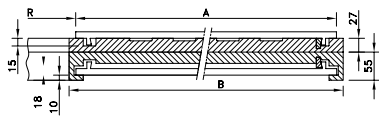
Round Bores

KU505-28T_25MM_2KW_PA	10330882	28	25 mm	113.4	113.4	16.5
KU505-28T_30MM_2KW_PA	10331285	28	30 mm			
KU505-28T_35MM_2KW_PA	10331678	28	35 mm			
KU505-28T_40MM_2KW_PA	10332008	28	40 mm			
KU505-28T_1IN_2KW_PA	10325158	28	1.0"			
KU505-28T_1-1/2IN_2KW_PA	10325583	28	1.5"			

Square Bores

KU505-28T_25MM_S_PA	10330883	28	25 mm	113.4	113.4	16.5
KU505-28T_30MM_S_PA	10331286	28	30 mm			
KU505-28T_40MM_S_PA	10148125	28	40 mm			
KU505-28T_1IN_S_PA	10325159	28	1.0"			
KU505-28T_1-1/2IN_S_PA	10325584	28	1.5"			

Positrack Curves



Code Number	Radius R	Belt Width A	Height	Curve Width B	Angle
	mm	mm	mm	mm	

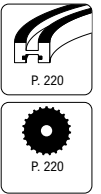
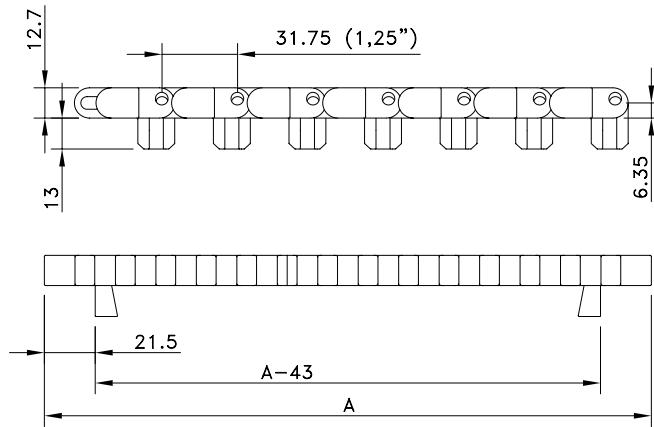
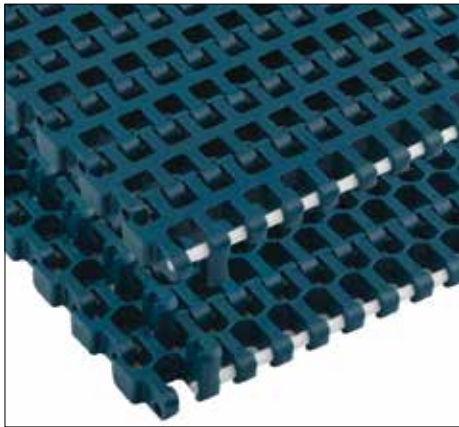
Positrack Curves

For 505

804.02.02	510	255	27 + 55	281	90°
804.02.03	680	340	27 + 55	366	
804.02.04	850	425	27 + 55	451	
804.02.05	1020	510	27 + 55	536	
804.02.06	1190	595	27 + 55	621	
804.02.07	1360	680	27 + 55	706	

Other angles and non-standard positrack curves on request; these curves include a curve guiding profile. Including 100 mm long straight sections at upper part.

Radius 1255



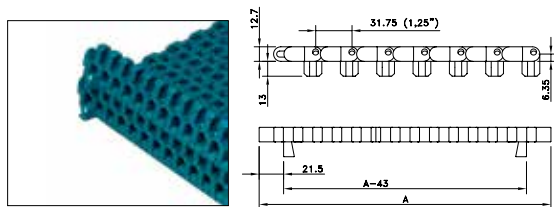
Assembly	Belt Type	Code Number*	Sideflex Radius (min.)	Temperature range °C		Working Load (max.)		Weight	Backflex Radius (min.)	
				mm	Dry	Wet	Straight			In Curve
XLG-Acetal with PBT Pins										
Positrack Two Sides	RBP 1255 XLG	867.40.xx	2 x belt width	-40 to +80	-40 to +65	22000	2000	8.00	25	
Flat	RB 1255 XLG	867.70.xx		-40 to +65					30	
Supergrip Positrack	SG 1255 XLG RBP	867.53.xx		-40 to +65						
WHT-Polypropylene with PBT Pins										
Positrack Two Sides	WHT 1255 RBP	869.40.xx	2 x belt width	4 to 80	4 to 65	11000	1200	5.20	25	
Flat	WHT 1255 RB	869.90.xx		4 to 65					30	
Supergrip Positrack	SG 1255 WHT RBP	869.53.xx		4 to 65						
WSM-Acetal with PBT Pins										
Positrack Two Sides	WSM 1255 RBP	868.40.xx	2x belt width	-40 to +80	up to 65	22000	2000	8.00	25	
Flat	WSM 1255 RB	869.00.xx		-40 to +65					30	
Supergrip Positrack	SG 1255 WSM RBP	868.63.xx		-40 to +65						
SMB-Acetal with PBT Pins										
Positrack Two Sides	SMB 1255 RBP	868.70.xx	2x belt width	-40 to +80	up to 65	22000	2000	8.00	25	
Flat	SMB 1255 RB	869.10.xx		-40 to +80					30	

* In code numbers xx corresponds with the belt width (A), starting with 12 for 255 mm, 13 for 340 mm.

If you need flights, describe the belt by choosing from the required options listed in the 2nd column of the table:

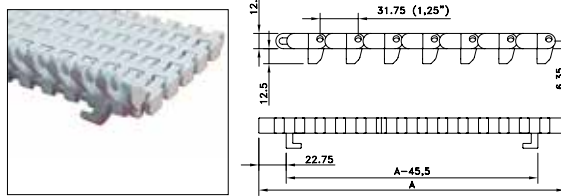
Material	WHT or WSM or SMB	
Belt type	1255 RBP or 1255 RBT or 1255 RB	RBP for Positrack (only in WHT, WSM and SMB), RBT for Tabs (only in WSM and SMB), RB for Flat
Width (A)	KM - in mm	
Flights	F3	Standard height of 3" (76.2 mm) or special height in mm
Pitch between flights	T..P	Flights on every ..th row
Flight side-indent	N.. (in mm)	Minimal 51 mm with 17 mm increments

code nr. for special polyamide MCC3500 profile of 1.8 meters is 10609192, code for FDA approved MCC3600 polyester profile of 1.8 meters is 10361335.



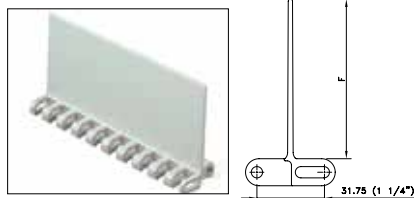
Positrack lugs on both sides

RBP

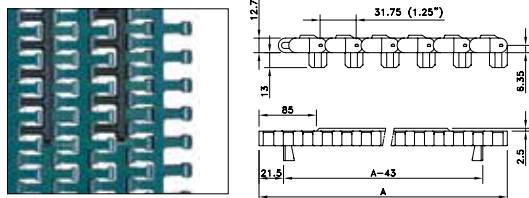


Tabs on both sides

RBT



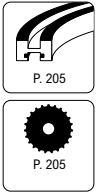
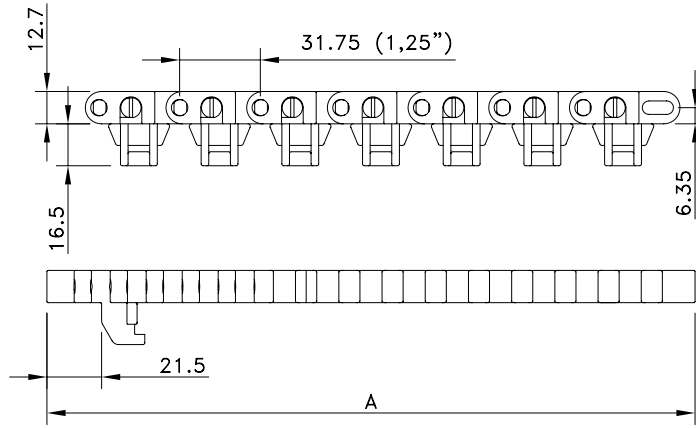
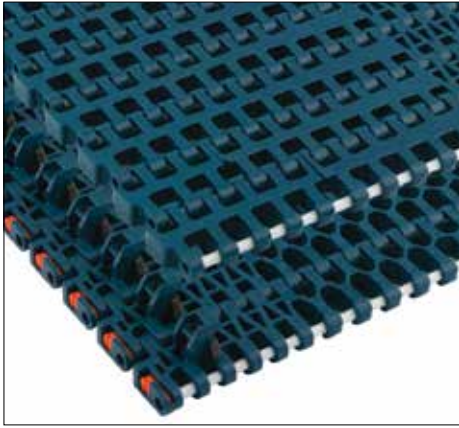
Flight for elevating Not for use in the U.S.A.



Supergrip for inclined conveying; Standard 100% rubber.

RBP

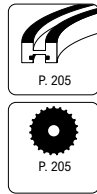
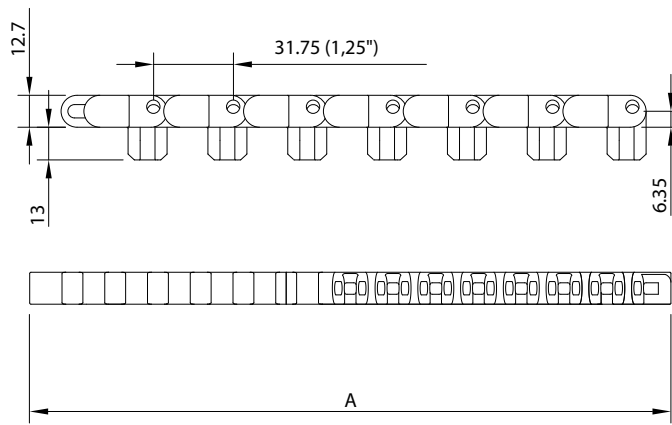
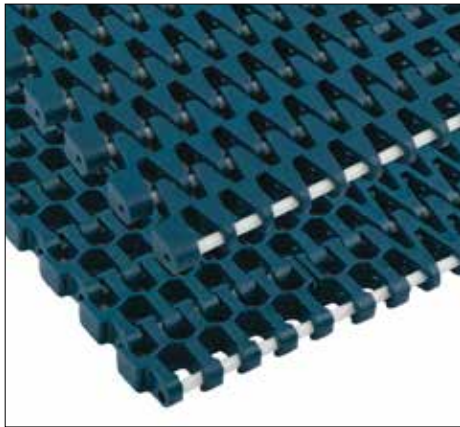
Radius 1265 Reinforced outer Modules



Assembly	Belt Type	Code Number*	Width A		Temperature range °C		Working Load (max.)		Weight	Backflex Radius (min.)
			mm	mm	Dry	Wet	Straight	In Curve		
							N/m (21°C)	N		
XLG-Acetal with PBT Pins										
Tabs/Flat 	RBT 1265 RB XLG/B 255	864.60.12	255	510	-40 to 80	-40 to +65	22000	3000	8.00	25
	RBT 1265 RB XLG/B 340	864.60.13	340	680						
	RBT 1265 RB XLG/B 425	864.60.14	425	850						
	RBT 1265 RB XLG/B 510	864.60.15	510	1020						
	RBT 1265 RB XLG/B 595	864.60.16	595	1190						
	RBT 1265 RB XLG/B 680	864.60.17	680	1360						
	RBT 1265 RB XLG/B 765	864.60.18	765	1530						
	RBT 1265 RB XLG/B 850	864.60.19	850	1700						
	RBT 1265 RB XLG/B 935	864.60.20	935	1870						
	RBT 1265 RB XLG/B 1020	864.60.21	1020	2040						
Tabs/Positrack 	RBT 1265 RBP XLG/B255	864.00.12	255	510	-40 to +80	-40 to +65	22000	3000	8.00	25
	RBT 1265 RBP XLG/B340	864.00.13	340	680						
	RBT 1265 RBP XLG/B425	864.00.14	425	850						
	RBT 1265 RBP XLG/B510	864.00.15	510	1020						
	RBT 1265 RBP XLG/B595	864.00.16	595	1190						
	RBT 1265 RBP XLG/B680	864.00.17	680	1360						
	RBT 1265 RBP XLG/B765	864.00.18	765	1530						
	RBT 1265 RBP XLG/B850	864.00.19	850	1700						
	RBT 1265 RBP XLG/B935	864.00.20	935	1870						
	RBT 1265 RBP XLG/B1020	864.00.21	1020	2040						
WSM-Acetal with PBT Pins										
Tabs/Flat 	WSM/B 1265 RBT RB 255	864.90.12	255	510	-40 to +80	-40 to +65	22000	3000	8.00	25
	WSM/B 1265 RBT RB 340	864.90.13	340	680						
	WSM/B 1265 RBT RB 425	864.90.14	425	850						
	WSM/B 1265 RBT RB 510	864.90.15	510	1020						
	WSM/B 1265 RBT RB 595	864.90.16	595	1190						
	WSM/B 1265 RBT RB 680	864.90.17	680	1360						
	WSM/B 1265 RBT RB 765	864.90.18	765	1530						
	WSM/B 1265 RBT RB 850	864.90.19	850	1700						
	WSM/B 1265 RBT RB 935	864.90.20	935	1870						
	WSM/B 1265 RBT RB 1020	864.90.21	1020	2040						

Other widths (17 mm increments from standard) available upon request.

Radius 1275 Tight Radius Inner Modules



Assembly	Belt Type	Code Number*	Width A	Sideflex Radius (min)	Temperature range °C		Working Load (max.)		Weight	Backflex Radius (min.)
					Dry	Wet	Straight	In Curve		
			mm	mm			N/m (21°C)	N	kg/m ²	mm

XLG-Acetal with PBT Pins

 Flat	XLG 1275 RB-RB 255	860.90.12	255	300	-40 to +80	-40 to +65	22000	2000	8.00	25
	XLG 1275 RB-RB 340	860.90.13	340	400						
	XLG 1275 RB-RB 425	860.90.14	425	500						
	XLG 1275 RB-RB 510	860.90.15	510	600						
	XLG 1275 RB-RB 595	860.90.16	595	720						
	XLG 1275 RB-RB 680	860.90.17	680	880						
	XLG 1275 RB-RB 765	860.90.18	765	1040						

XLG-Acetal with PBT Pins

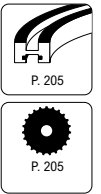
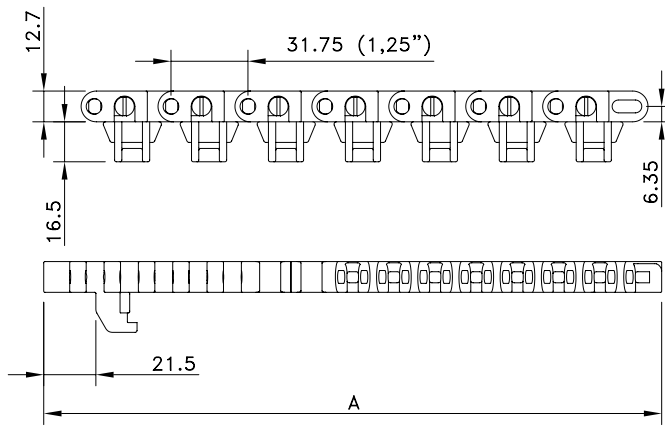
 Positrac/Flat	XLG 1275 RBP-RB 255	864.70.12	255	300	-40 to +80	-40 to +65	22000	2000	8.00	25
	XLG 1275 RBP-RB 340	864.70.13	340	400						
	XLG 1275 RBP-RB 425	864.70.14	425	500						
	XLG 1275 RBP-RB 510	864.70.15	510	600						
	XLG 1275 RBP-RB 595	864.70.16	595	720						
	XLG 1275 RBP-RB 680	864.70.17	680	880						
	XLG 1275 RBP-RB 765	864.70.18	765	1040						

XLG-Acetal with PBT Pins

 Tabs/Flat	XLG 1275 RBT-RB 255	876.11.36	255	300	-40 to +80	-40 to +65	22000	2000	8.00	25
	XLG 1275 RBT-RB 340	876.15.31	340	400						
	XLG 1275 RBT-RB 425	876.13.59	425	500						
	XLG 1275 RBT-RB 510	876.20.20	510	600						
	XLG 1275 RBT-RB 595	876.38.49	595	720						
	XLG 1275 RBT-RB 680	876.17.92	680	880						
	XLG 1275 RBT-RB 765	876.38.50	765	1040						

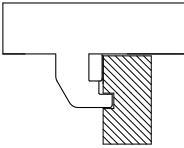
Other widths (17 mm increments from standard) and materials available upon request.

Radius 1285 Reinforced Outer and Tight Fit Inner Modules

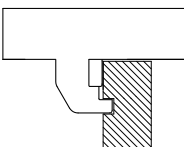


Assembly	Belt Type	Code Number*	Width A	Sideflex Radius (min)	Temperature range °C		Working Load (max.)		Weight	Backflex Radius (min.)
					Dry	Wet	Straight	In Curve		
			mm	mm			N/m (21°C)	N	kg/m ²	mm

XLG-Acetal with PBT Pins

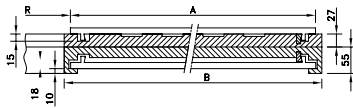
Tabs/Flat 	RBT 1285 RB XLG/B 425	863.60.14	425	500	-40 to +80	-40 to +65	22000	3000	8.00	25
	RBT 1285 RB XLG/B 510	863.60.15	510	600						
	RBT 1285 RB XLG/B 595	863.60.16	595	720						
	RBT 1285 RB XLG/B 680	863.60.17	680	880						
	RBT 1285 RB XLG/B 765	863.60.18	765	1040						
	RBT 1285 RB XLG/B 850	863.60.19	850	1200						
	RBT 1285 RB XLG/B 935	863.60.20	935	1350						
	RBT 1285 RB XLG/B 1020	863.60.21	1020	1500						

WSM-Acetal with PBT Pins

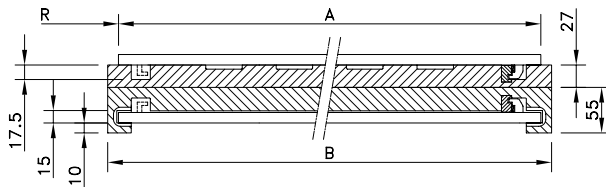
Tabs/Flat 	WSM/B 1285 RBT RB 425	865.10.14	425	500	-40 to +80	-40 to +65	22000	3000	8.00	25
	WSM/B 1285 RBT RB 510	865.10.15	510	600						
	WSM/B 1285 RBT RB 595	865.10.16	595	720						
	WSM/B 1285 RBT RB 680	865.10.17	680	880						
	WSM/B 1285 RBT RB 765	865.10.18	765	1040						
	WSM/B 1285 RBT RB 850	865.10.19	850	1200						
	WSM/B 1285 RBT RB 935	865.10.20	935	1350						
	WSM/B 1285 RBT RB 1020	865.10.21	1020	1500						

Other widths (17 mm increments from standard) available upon request.
For 1285 belts with Positrack, please contact Customer Service.

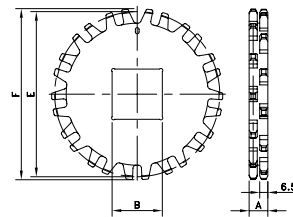
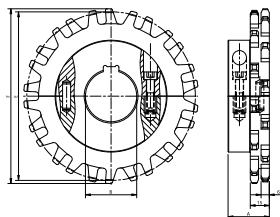
Curves



These curves include a curve guiding profile. Including 100 mm long straight sections at upper part. Other angles and non-standard tab curves on request.

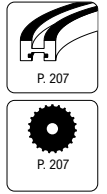
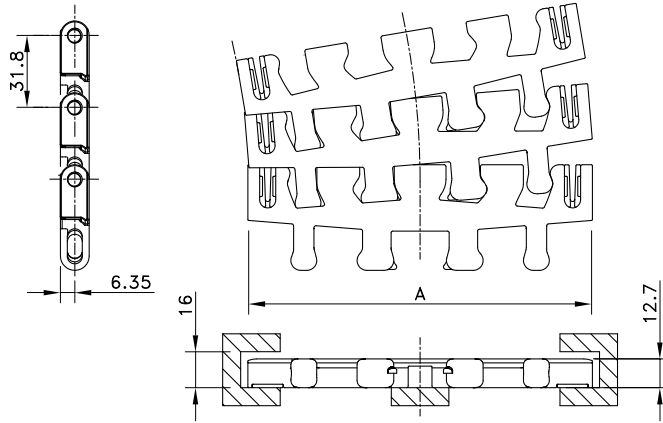
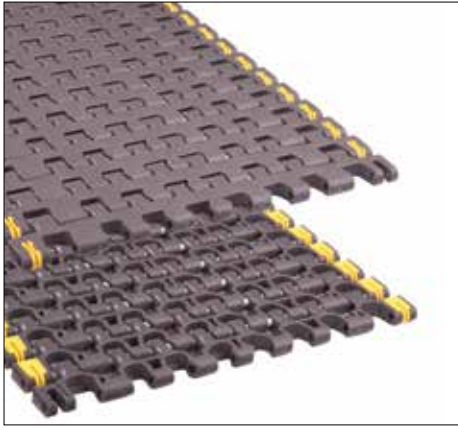


Code Number	Radius	Belt Width	Curve Width	Height	Angle
	R	A	B		
Curves					
For 1255 RBP					
805.02.02	510	255	281	27 + 55	90°
805.02.03	680	340	366		
805.02.04	850	425	451		
805.02.05	1020	510	536		
805.02.06	1190	595	621		
805.02.07	1360	680	706		
For 1275 RBP					
805.22.61	300	255	281	27+55	90°
805.22.62	400	340	366		
805.22.63	500	425	451		
805.22.64	600	510	536		
805.22.65	720	595	621		
805.22.66	880	680	706		
For 1265 RBT					
806.40.13	510	255	281	27+55	90°
806.40.14	680	340	366		
806.40.15	850	425	451		
806.40.16	1020	510	536		
806.40.17	1190	595	621		
806.40.18	1360	680	706		
For 1285 RBT					
806.40.19	500	425	451	27+55	90°
806.40.20	600	510	536		
806.40.21	720	595	621		
806.40.22	880	680	706		



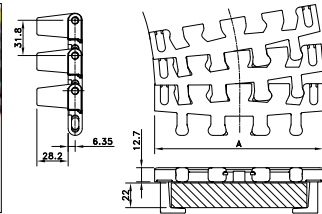
Sprocket Type	Code Number	Number of Teeth	Bore	Pitch Diameter	Outside Diameter	Hub Width
			B	E	F	A
mm/inch						
Split Sprockets						
Round Bores						
KUS1200-10T_30MM_1KW_PA	10331532	10	30	102.8	106.6	32.5
KUS1200-13T_40MM_1KW_PA	10332246	13	40	132.7	137.5	
KUS1200-15T_40MM_1KW_PA	10362432	15	40	152.7	158.1	
KUS1200-16T_40MM_1KW_PA	10332249	16	40	162.8	168.3	
Square Bores						
KUS1200-10T_30MM_S_PA	10331531	10	30	102.8	106.6	32.5
KUS1200-13T_40MM_S_PA	10332245	13	40	132.7	137.5	
KUS1200-15T_40MM_S_PA	10332248	15	40	152.7	158.1	
KUS1200-16T_40MM_S_PA	10362435	16	40	162.8	168.3	
Classic Sprockets						
Round Bores						
KU1200-10T_30MM_1KW_PA	10331347	10	30	102.8	106.6	15.0
KU1200-13T_40MM_1KW_PA	10332071	13	40	132.7	137.5	
KU1200-15T_40MM_1KW_PA	10332074	15	40	152.7	158.1	
KU1200-16T_40MM_1KW_PA	10332077	16	40	162.8	168.3	
Square Bores						
KU1200-10T_40MM_S_PA	10332070	10	40	102.8	106.6	15.0
KU1200-13T_40MM_S_PA	10332073	13	40	132.7	137.5	
KU1200-15T_40MM_S_PA	10332076	15	40	152.7	158.1	
KU1200-16T_40MM_S_PA	10332079	16	40	162.8	168.3	

Radius 7956

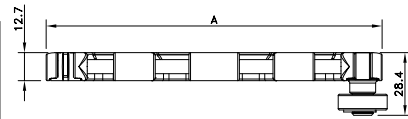
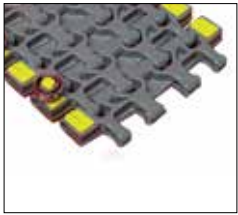


Assembly	Belt Type	Code Number*	Width A	Sideflex Radius (min)	Temperature range °C		Working Load (max.)		Weight	Backflex Radius (min.)	
					Dry	Wet	Straight	In Curve			
			inch	inch			N/m (21°C)	N	kg/m ²	mm	
HP-Acetal with Polypropylene Pins											
Flat	HP 7956 NT-K6	81417101	6	12	-40 to + 80	-40 to +65	2000	2000	11.7	152	
	HP 7956 NT-K12	81429711	12	24			3560	3560			
	HP 7956 NT-K15	81427901	15	30			4000	4000			
	HP 7956 NT-K18	81427911	18	36			4225	4225			
	HP 7956 NT-K24	81428241	24	48			5300	5300			
	HP 7956 NT-K30	81428631	30	60			5780	5780			
Tabs Two Sides (Hold-Down)	HP 7956 TAB-K6	81417091	6	12	-40 to + 80	-40 to +65	2000	2000	11.7	152	
	HP 7956 TAB-K12	81429671	12	24			3560	3560			
	HP 7956 TAB-K15	81415631	15	30			4000	4000			
	HP 7956 TAB-K18	81421801	18	36			4225	4225			
	HP 7956 TAB-K24	81419711	24	48			5300	5300			
	HP 7956 TAB-K30	81427261	30	60			5780	5780			
Tabs Two Sides (GT)	HP7956 GT-K6	81436441	6	12	-40 to + 80	-40 to +65	2000	2000	11.7	152	
	HP7956 GT-K12	81436471	12	24			3560	3560			
	HP7956 GT-K15	81436501	15	30			4000	4000			
	HP7956 GT-K18	81436531	18	36			4225	4225			
	HP7956 GT-K24	81436561	24	48			5300	5300			
	HP7956 GT-K30	81436591	30	60			5780	5780			
Bearing (Every 2 nd Row)	HP7956 B-K6	CCW	81437471	6	12	-40 to + 80	-40 to +65	2000	2000	11.7	152
		CW	81437461								
		STURN	81437481								
	HP7956 B-K12	CCW	81437491	12	24						
		CW	81433641								
		STURN	81437501								
	HP7956 B-K15	CCW	81437521	15	30						
		CW	81437511								
		STURN	81437531								
	HP7956 B-K18	CCW	81433441	18	36						
		CW	81433691								
		STURN	81437541								
HP7956 B-K24	CCW	81433611	24	48							
	CW	81437551									
	STURN	81437561									
HP7956 B-K30	CCW	81437581	30	60							
	CW	81437571									
	STURN	81437591									

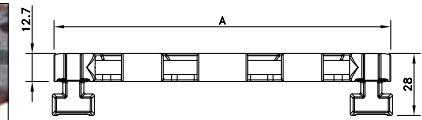
Curves



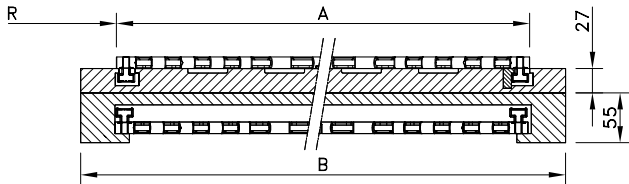
Hold-Down Tabs



Bearings



GT Tabs



Curves for 7956 GT include a special curve guiding profile. Other angles and non-standard tab curves on request.

Code Number	Radius R	Belt Width A	Curve Width B	Height	Angle
	mm	mm	mm	mm	

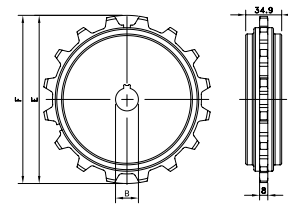
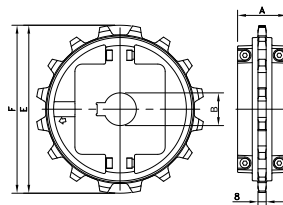
Curves

For 7956 B

808.40.00	305	6	196	27+55	90°
808.40.01	610	12	366		
808.40.02	762	15	451		
808.40.03	915	18	536		
808.40.04	1220	24	706		
808.40.05	1524	30	791		

For 7956 GT

808.40.06	305	6	196	27+55	90°
808.40.07	610	12	366		
808.40.08	762	15	451		
808.40.09	915	18	536		
808.40.10	1220	24	706		
808.40.11	1524	30	791		



Sprocket Type	Code Number	Number of Teeth	Bore	Pitch Diameter	Outside Diameter	Hub Width
			B	E	F	A
			mm/inch	mm	mm	mm

Split Sprockets

Round Bores

NS7956-16T_25MM_1KW_PA	10334114	16	25	162.7	163.2	48
NS7956-16T_30MM_1KW_PA	10019770	16	30			
NS7956-16T_35MM_1KW_PA	10334116	16	35			
NS7956-16T_40MM_1KW_PA	10334117	16	40			

Square Bores

NS7956-16T_40MM_S_PA	10333885	16	40	162.7	163.2	48
NS7956-16T_50MM_S_PA	10333886	16	50			
NS7956-16T_60MM_S_PA	10333887	16	60			

Belt Series	Standard (uncut)		Non-standard (cut)		MTW
	Minimum Belt Width	Belt width Increments	Minimum Belt Width	Belt width Increments	Moulded to Width Belts
500	85 mm	85 mm	85 mm	on request	-
515	4"	1"	2"	½"	-
1505 imperial	3"	3"	4½"	¾"	-
1505 metric	85 mm	85 mm	85 mm	on request	-
1506	3"	3"	4½"	¾"	-
1505 SG	85 mm	85 mm	85 mm	on request	-
8500	6"	6"	2½"	½"	2½" - 3¼" - 4½" - 7½" - 85 mm
5935	6"	3"	3"	¾"	-
5936	6"	3"	2¼"	¾"	-
1000	85 mm	85 mm	55 mm	5 mm	-
1000 SG	85 mm	85 mm	80 mm	10 mm	-
1015	4"	1"	4"	½" **	-
1005	85 mm	85 mm	85 mm	17 mm	-
1005 SG	170 mm	85 mm	85 mm	17 mm	-
7705	6"	3"	5"	½"	3¼" - 4½" - 7½"
7706	6"	3"	5"	½"	3¼" - 4½" - 7½"
7708	9"	3"	5"	½"	-
6300	255 mm	75 mm	225 mm	on request	-
2000	3"	3"	3"	1½"	-
2010	6"	2"	3⅓"	⅔"	-
6990	9"	3"	5"	½"	-
3125	-	-	-	-	12"
505	255 mm	85 mm	153 mm	17 mm	-
1255	255 mm	85 mm	153 mm	17 mm	-
1255 SG	255 mm	85 mm	153 mm	17 mm	-
1265	255 mm	85 mm	255 mm	17 mm	-
1275	255 mm	85 mm	237 mm	17 mm	-
1285	425 mm	85 mm	357 mm	17 mm	-
7956	-	-	-	-	6" - 12" - 15" - 18" - 24" - 30"
390	6 inch - 152.4mm	2 inch - 50.8mm	6 inch - 152.4mm	2 inch - 50.8mm	-
590	4 inch - 101.6mm	0.5 inch - 12.7mm	4 inch - 101.6mm	0.5 inch - 12.7	-
1090	4 inch - 101.6mm	0.5 inch - 12.7mm	4 inch - 101.6mm	0.5 inch - 12.7	-
6990 HYB	12 inch - 305mm	3 inch - 76.2mm	12 inch - 305mm	3 inch - 76.2mm	-
3122HYB (MTW)	4 inch - 101.6mm	-	-	-	4 inch - 101.6mm
3125HYB (MTW)	4 inch - 101.6mm	-	-	-	4 inch - 101.6mm
3120HYB	12 inch - 305mm	4 inch - 101.6mm	8 inch - 203.2mm	4 inch - 101.6mm	-

*) after 12" belt width increments are 1" - **) after 24" belt width increments are 1" - ***) smaller sizes on request

Code nr. Ending on	Width mm	Code nr. Ending on	Width mm	Code nr. Ending on	Width mm	Code nr. Ending on	Width mm	Code nr. Ending on	Width mm	Code nr. Ending on	Width mm	Code nr. Ending on	Width mm
Code Numbers for 500, 1000, 1005, 1500, 505 and 1200-Series													
10	85	21	1020	32	1955	43	2890	54	3825	65	4760	76	5695
11	170	22	1105	33	2040	44	2975	55	3910	66	4845	77	5780
12	255	23	1190	34	2125	45	3060	56	3995	67	4930	78	5865
13	340	24	1275	35	2210	46	3145	57	4080	68	5015	79	5950
14	425	25	1360	36	2295	47	3230	58	4165	69	5100	80	6035
15	510	26	1445	37	2380	48	3315	59	4250	70	5185	81	6120
16	595	27	1530	38	2465	49	3400	60	4335	71	5270		
17	680	28	1615	39	2550	50	3485	61	4420	72	5355		
18	765	29	1700	40	2635	51	3570	62	4505	73	5440		
19	850	30	1785	41	2720	52	3655	63	4590	74	5525		
20	935	31	1870	42	2805	53	3740	64	4675	75	5610		

Code nr. Ending on	Width		Code nr. Ending on	Width		Code nr. Ending on	Width		Code nr. Ending on	Width		Code nr. Ending on	Width		Code nr. Ending on	Width				
	mm	inch		mm	inch		mm	inch		mm	inch		mm	inch		mm	inch			
Code Numbers for 2000- and 2500-Series																				
10	76	3	22	991	39	34	1905	75	46	2819	111	58	3734	147	70	4648	183	82	5563	219
11	152	6	23	1067	42	35	1981	78	47	2896	114	59	3810	150	71	4724	186	83	5639	222
12	229	9	24	1143	45	36	2057	81	48	2972	117	60	3886	153	72	4801	189	84	5715	225
13	305	12	25	1219	48	37	2134	84	49	3048	120	61	3962	156	73	4877	192	85	5791	228
14	381	15	26	1295	51	38	2210	87	50	3124	123	62	4039	159	74	4953	195	86	5867	231
15	457	18	27	1372	54	39	2286	90	51	3200	126	63	4115	162	75	5029	198	87	5944	234
16	533	21	28	1448	57	40	2362	93	52	3277	129	64	4191	165	76	5105	201	88	6020	237
17	610	24	29	1524	60	41	2438	96	53	3353	132	65	4267	168	77	5182	204	89	6096	240
18	686	27	30	1600	63	42	2515	99	54	3429	135	66	4343	171	78	5258	207			
19	762	30	31	1676	66	43	2591	102	55	3505	138	67	4420	174	79	5334	210			
20	838	33	32	1753	69	44	2667	105	56	3581	141	68	4496	177	80	5410	213			
21	914	36	33	1829	72	45	2743	108	57	3657	144	69	4572	180	81	5486	216			

Product	Material Chain	Material Pin
STEEL SLATBAND CHAINS		
10-Series	AISI 430 (1.4016) special 17% chrome stainless steel for improved corrosion resistance, wearlife and strength	AISI 431 (1.4057)
60-Series	Special chrome-nickel stainless steel for excellent sliding properties, improved corrosion resistance, long wearlife and high strength	AISI 431 (1.4057)
60-Series HB	Special chrome-nickel stainless steel for excellent sliding properties, improved corrosion resistance, long wearlife and high strength	AISI 431 (1.4057) hardened
66-Series XHB	Special chrome-nickel stainless steel for excellent sliding properties, improved corrosion resistance, long wearlife and high strength	Special alloy Process hardened
SS 802/812	Ferritic chrome stainless steel for mix of good wear life and high strength	AISI 431 (1.4057)
SS 805/815/881	Austenitic chrome-nickel stainless steel with properties similar to 18/8 material, offering good chemical resistance	Austenitic stainless steel
Rubber top	Special elastomere with a hardness of 70 Shore A	
Plastic Slatband Chains		
BWX	Polyamide composite for extended wear life in abrasive circumstances up to five times compared to plain acetal; to be used in dry running glass handling applications and when the chain is subjected to sand and dirt. Colour: Black	Stainless steel (1.4057)
DKA	Aramide reinforced acetal (POM) for wet or dry abrasive conditions, offering enhanced wear properties over plain acetals in combination with the low friction of a lubricated material. This material is available on request for a selected range of TableTop products.	
DRY-PT	Advanced performance polymer alloy designed specifically for run dry applications. Colour: Lime Green	
GLA	Especially designed material for glass manufacturing. Extremely suited for high abrasion environments, high humidity surroundings and for low to medium speed applications. Black toughened abrasion resistance Acetal. Can be easily cleaned with water.	
HP	High Performance internally lubricated acetal (POM), for reduced wear up to 40% over plain acetal; intended for dry running or reduced lubrication and high-speed applications. Colour: Braun	
LF	Low Friction acetal (POM) and special blend of lubricants for reduced wear up to 15% over plain acetal; intended for high-output applications at moderate to high speeds. Colour: light brown	
XLA	Wear resistant, extra low friction XLA-acetal with special selflubricating additives. Colour: anthracite Rollers are made of special wear resistant and sound absorbing plastic; colour: aubergine. Roller shafts: stainless steel AISI 304 (1.4301)	
PSX	Advanced performance polymer alloy designed specifically for run dry applications. Colour: grey	
SuperGrip	Wear resistant polyester. Colour: anthracite. Rubber top material: special elastomere with a hardness of 70 Shore A. Colour: aubergine	
XLG	Internally lubricated, extra low friction acetal for improved wearlife and high strength; FDA approved. Colour: green-blue	
PLATE TOP CHAINS		
Base chain	Standard: Carbon steel	
	SS: Stainless steel	
Plate Top	LF acetal (POM) and special blend of lubricants for reduced wear up to 15% over plain acetal. Colour: light brown	
	HP internally lubricated acetal (POM) for reduced wear up to 40% over plain acetal. Colour: grey	
	BWX Polyamide composite for extended wear life in abrasive circumstances up to five times compared to plain acetal. Colour: Black	

Product	Material Belt	
Plastic Modular Conveyor Belts		
AS	Acetal with improved electrical conductive properties, reducing the build-up of static electricity. Colour: black	
BHT*	Polypropylene for high temperature applications. FDA-approved. Colour: blue	
BLT*	Polyethylene for low temperature applications; high impact resistance. FDA-approved. Colour blue	
SMB*	Acetal for high pressure and high speed, due to the hard surface; good abrasion resistance. FDA-approved. Colour blue	
BSM	Acetal with high resistance against wear and superficial damage. Colour: black	
BWX	Polyamide composite for extended wear life up to five times compared to acetal materials; to be used in dry running glass handling applications where abrasive shards of glass can wear other materials rapidly; it can also be used in applications where the belt is subjected to sand and dirt. Colour: Black	
DKA	Aramide reinforced acetal (POM) for wet or dry abrasive conditions, offering enhanced wear properties over plain acetals in combination with the low friction of a lubricated material. This material is available on request for a selected range of TableTop products.	
DRY-PT	Advanced performance polymer alloy designed specifically for run dry PET applications. Colour: Lime Green	
DTS-C® transfer	Super tough reinforced polyamide, wear and abrasion resistant, extra high strength. Colour: White	
Finger transfer 2500	Mounting block: MCC 1001; high grade mix of UHMWPE. Colour: black Fingers: Reinforced BPR-Polypropylene. Colour: green-blue	
FRPLUS	Flame Retardant Low Friction (metallic silver)	
FR-PA	Flame Retardant Polyamide	
GLA	Especially designed material for glass manufacturing. Extremely suited for high abrasion environments, high humidity surroundings and for low to medium speed applications. Black toughened abrasion resistance Acetal. Can be easily cleaned with water.	
HP	High Performance internally lubricated acetal (POM), for reduced wear up to 40% over plain acetal; intended for dry running or reduced lubrication and high-speed applications. Colour: Braun	
HT	Polypropylene for applications with high temperatures; good chemical resistance. Colour: beige	
LF	Low Friction acetal (POM) and special blend of lubricants for reduced wear up to 15% over plain acetal; intended for high-output applications at moderate to high speeds. Colour: light brown	
Profile fingerplates 1000/2000	Stainless steel AISI 304 (1.4301)	
PSX	Advanced performance polymer alloy designed specifically for run dry applications. Colour: grey	
SMB*	Acetal for high pressure and high speed, due to the hard surface; good abrasion resistance. FDA-approved. Colour blue	
WHT*	Polypropylene for high temperature applications. FDA-approved. Colour: white	
WLT*	Polyethylene for low temperature applications; high impact resistance. FDA-approved. Colour: white	
WSM*	Acetal for high pressure and high speed, due to the hard surface; good abrasion resistance. FDA-approved. Colour: white	
XP	Wear resistant polypropylene with excellent long term heat stability – up to 104°C – and a very good chemical resistance; FDA approved. Colour: light green	
XLA	Internally lubricated, extra low friction acetal for improved wearlife and high strength. Colour: anthracite	
XLBP	Wear resistant, extra low friction XLA-acetal with special selflubricating additives. Colour: Grey Rollers are made of special wear resistant and sound absorbing plastic; colour: Lime Green Roller shafts: stainless steel AISI 304 (1.4301)	
XLG	Internally lubricated, extra low friction acetal for improved wearlife and high strength; FDA approved. Colour: green-blue	
Multiflex and Case Conveyor Chain		
BWX	Polyamide composite for extended wear life in abrasive circumstances up to five times compared to plain acetal. Colour: black.	Stainless steel 1700 K: zinc plated stainless steel
Corner disc Hub	Reinforced Polyamide HP Low Friction acetal (ND 1700 FL/TR): brass (880)	
HP	High Performance internally lubricated acetal (POM) for reduced wear up to 40% over plain acetal. Colour: brown	Stainless steel
LF	Low Friction acetal (POM) and special blend of lubricants for reduced wear up to 15% over plain acetal. Colour: light brown	Stainless steel 1700 K: zinc plated stainless steel
WLF	Low Friction acetal (POM) and special blend of lubricants for reduced wear up to 15% over plain acetal. Colour: white	Stainless steel 1700 K: zinc plated stainless steel

* Comply with the relevant requirements as laid down in: Framework Regulation (EC) 1935/2004 (dated 27-10-2004). EU Commission Regulation (EU) 10/2011 relating to plastic materials (tested according to EC Directive 97/48/EC; Migration testing (2nd amendment of 82/711/EEC) and EC Directive 85/572/EC; List of simulants).

Part	Material
Curves	
Combi-X Curves	MCC5000 with solid lubricants. This results in lower friction and longer guide wear life meaning less energy consumption and lower maintenance cost.
Upper part of Combi-A and CIP-curves	MCC 1200, ultra high molecular weight polyethylene, for optimum wear and abrasion resistance with a high molecular weight. Colour: aubergine
Upper part of Combi-G curves	MCC 2000, ultra high molecular weight polyethylene, with specially integrated ceramic additives, for superior abrasion resistance with a high molecular weight. Colour: green-yellow
Upper part of Combi-S curves	MCC 3500, special polyamide for optimum wear resistance in dry running lines where plastic chains run at high speeds. Colour: Black
All return parts	MCC 1002, high grade mix of ultra high molecular weight polyethylene, for good wear and abrasion resistance with a high molecular weight. Colour: black
Cover plates	Stainless steel AISI 430 (1.4016)
Screws	Stainless steel
Inserts (optional)	Brass
Return guide shoe	MCC 1200, ultra high molecular weight polyethylene, for good wear and abrasion resistance with a high molecular weight. Colour: black
Tubes in CIP-curves	Stainless steel AISI 303 (1.4305)
Nozzles in CIP-curves	Stainless steel AISI 303 (1.4305)
Tab curves - inserts (optional)	MCC 1003, ultra high molecular weight polyethylene, for good wear and abrasion resistance.

Sprocket	Material
Sprockets and Idlers for Tabletop Chains	
N/NS/NSH	Super tough reinforced polyamide, wear and abrasion resistant
KU(S)/KT/NS(T)/N(T)/SD	Polyamide
ST	Carbon steel
Bolts	Stainless steel AISI 304 (1.4301)
Inserts	Brass
Sprockets and Idlers for Multiflex Chains	
KU/KUS/N/NT	Polyamide
ZN	Zinc plated steel
CI	Cast iron
Sprockets for Case Conveyor Chains	
KU	Polyamide
SR	Super tough reinforced polyamide, wear and abrasion resistant
Hub	Carbon steel with black finish or stainless steel
Sprockets for Modular Belts	
NS 500/1000/ NSH1500/1005 NS 1500/5996/5700/7700/8500/7956 N 1500 NS 2500 RPA	Reinforced polyamide; extra high strength, wear and abrasion resistant
KU/KUS 500/1000/505/1255 KU 1500/3125/5936/7700/8500/7956 KUS 1500/7700/3125	Polyamide; super tough, wear and abrasion resistant
KUS 1005/505/1255	Special plastic; super tough, wear and abrasion resistant
KU 1010 KU 2010	Polyethylene
N 5996/4700/5936 N/NS 2000	POM Acetal; wear resistant
Bolts and nuts	Stainless steel AISI 304 (1.4301)
Inserts	Brass

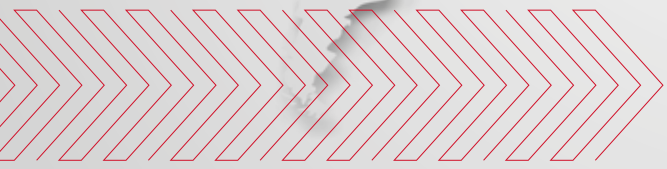
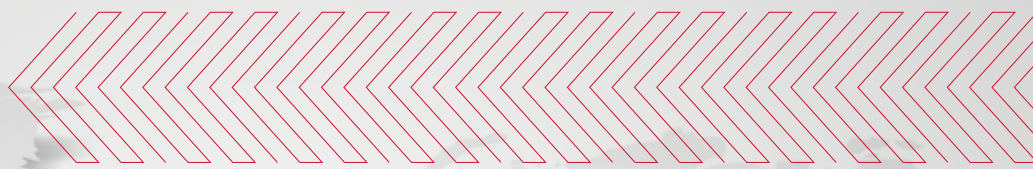
Chain	Page	Belt	Page	Sprocket	Page	Curve/straight track	page
10 M	16	390	132	CH CC	88	505 TAB CURVE	215
10 S	10	500 FG	135	CI 1757	82	1200 TAB CURVE	220
10 T	18	500 FGP	135	KT 800	62	C1	103
60 M	16, 19	505 RBP	214	KU 75	58	C2	103
60 S	10, 11, 12, 14	590	136	KU 600	88	C3	104
66 M	16, 19, 24, 25	905 Nosebar	145	KU 815	55	C4	104
66 S	11, 12, 21, 22, 23	1000 CLICK-COMB	161	KU 821	61	C5A	105
66 ST	23	1000 FFGP	158	KU 1010	173	C5C	105
66 T	25	1000 FFTP	157	KU 1255	216	C6/CX6	106
512	14	1000 FG	158	KU 1500	146	C7/CX7	107
661 S	15	1000 FGDP	158	KU 1775	81	C14	108
661 M	20	1000 FINGER	160	KU 2010	196	C21A	109
800/802/805	12	1000 FT	157	KU 3120	212	C22A	109
810	14	1000 FTDP	157	KU 5936	185	C42	110
812 TAB	13, 21	1000 LBP	162	KU 7700	185	C43	110
815	11	1000 RR	160, 161	KU 7956	222	C61/C6T	111
815 TAB	13	1000 RRR	161	KU 8500	150	C65	112
820	28	1000 SG	159	KU RH	67	C66	112
820 RT	40	1000 SGDP	159	KUS 75	58	C81	113
820 Vacuum	38	1005 FFTP	165	KUS 505	215	C86	113
821	30	1005 FT	165	KUS 661	64	C91	114
821 RT	40	1005 FTDP	165	KUS 815	54	C96	114
831	29	1005 XLBP	168	KUS 820	66	CB6/CXB6	117
843	92	1005 SG	166	KUS 821	62	CC6/CXC6	118
879	33	1005 SGDP	166	KUS 880	69	CC21	119
879 TAB	35	1005 SGS	166	KUS 882	68	CF6	108
879 TAB BO	36	1005 SGSDP	167	KUS 1005	169	CIP4	105
879 BO RT	46	1015	171	KUS 1255	220	KSU	124
879 TAB BO LBP	48	1016	171	KUS 1500	146	KSU 200	125
880	32	1011	172	KUS 1775	82	KTU	120
880 TAB	34, 38	1018	172	KUS 1785	82	KTU 200	121
880 TAB BO	36, 39	1020	175	KUS 2500	82	KTU 300	122
880 TAB BO RT	44	1090	178	KUS 2755	88	KTU 500	123
880 TAB RT	43	1255 RB	216	KUS 3120	212	LBP2	115
880 TAB Vacuum	38	1255 RBP	216	KUS 7700	185	LBP91	116
881	16, 17	1255 SG	216	KUS MINI	62	LBP96	116
881 TAB	17	1265 RBT	217	N 500	135	LBP861	115
882 TAB	37	1275 RB	218	N 800	60	N 880 BO	71
883 TAB LBP	48	1285 RBT	204	N 820	56	ND 1700	83
963	91	1505	141	N 881	59	ND 1700BC	83
1040	50	1505 DTS	141	N 1108	70	ND 1700BO	83
1055 FT/FTM	51, 52	1505 FT	143	N 1700	81	ND 1700FL	83
1060 FTM	51	1505 FTDP	143	N 2000	192	NX 880 BO	71
1700	77	1505 SG	144	N 5936	154	NXT 880 BO	71
1720	78	1505 SGDP	144	N 5996	199	STU	126
1757	76	1505 SGS	144	NS 500	135	SSU	127
1765 ZeroGap	74	1505 SGSDP	144	NS 815	53	D384 PA	83
1775 ZeroGap	74	1506	142	NS 820	56		
1843 TAB	92, 96	2000 CLICK-COMB	191	NS 821	60		
1864	91	2000 DTS-C	192	NS 821	60, 67		
1873 TAB	94, 97, 98	2000 FG	188	NS 821	67		
1873 TAB SG	95	2000 FT	188	NS 831	65		
1874	93	2000 RR	189	NS 880	69		
2755 BSM	87	2000 RRHD	189	NS 881	59		
3873 TAB	95	2000 RRHDP	189	NS 882	68		
8811 TAB	18, 25	2000 RRP	189	NS 1000	163		
CC 600	84	2000 SR	190	NS 1050	70		
CC 631 TAB	85	2011	195	NS 1500	146		
CC 1400	85	2015	194	NS 2000	192		
CC 1431 TAB	86	2016	194	NS 5936	154		
HDF LBP	51	3125/3129	207	NS 5996	199		
HDFM	32	3125RT	208	NS 7700	185		
HDFM LBP	49	3180	208	NS 7956	222		
HDFM SG	42	5935	152	NS 8500	150		
HDS	30	5935 Vacuum	153	NSH 815	53		
HDS LBP	46	5936	152	NSH 820/831	65		
HDS SG	44	6995	198	NSH 880	67		
RH/RHD	34, 35	6999	198	NSH 1005	169		
RHM/RHMD	31	7705	182	NSH1500	146		
RHMD LBP	47	7705 DTS	182	NST 820	57		
RHMP/RHMDP	31	7706	184	NT 820	57		
SH/SHD/SHP	28, 29	7708	184	NT 1757	82		
SHD LBP	45	7956	221	SR CC 600/1400	88		
SWH	30	8505	148	ZN1700	81		
SWH LBP	46	8505 DTS	148				
SWH SG	41	8506	149				
		6995 Hybrid H4	200				
		6999 Hybrid H4	200				
		6995 Hybrid H8	201				
		6999 Hybrid H8	201				



OUR INNOVATION MOVES

866-REXNORD/866-739-6673 (Within the U.S.)
+31 174 445 111 (Outside the U.S.)
www.rexnord.com

ALL AROUND
THE GLOBE,



CUSTOMERS TRUST
OUR PROVEN BRANDS.

WHY CHOOSE REXNORD?

When it comes to providing highly engineered products that improve productivity and efficiency for industrial applications worldwide, Rexnord is the most reliable in the industry. Commitment to customer satisfaction and superior value extend across every business function.

Delivering Lowest Total Cost of Ownership

The highest quality products are designed to help prevent equipment downtime and increase productivity and dependable operation.

Valuable Expertise

An extensive product offering is accompanied by global sales specialists, customer service and maintenance support teams, available anytime.

Solutions to Enhance Ease of Doing Business

Commitment to operational excellence ensures the right products at the right place at the right time.