

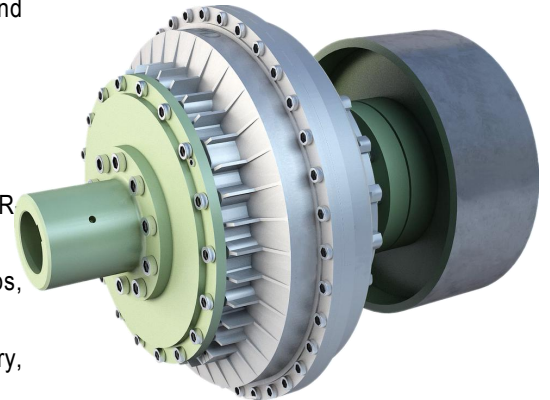
# Product Introduction



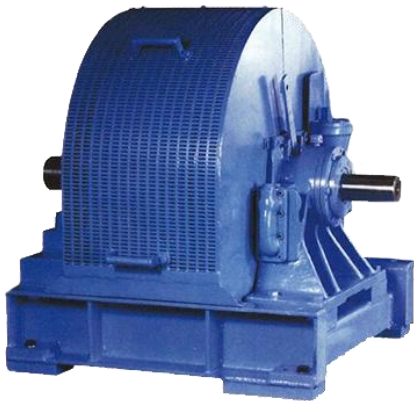
## Hydrodynamic Coupling

Power is transmitted through oil or water flow in between the coupling propeller and turbine. Certain amount of liquid is filled in working circuit to ensure stable speed output.

- Range : Maximum power up to 1750KW.
- Size & Type : Outer diameter ranges from 328mm to 1295mm
- Model : HR-/HR-C/HR-CC/HR-D/HR-B/ HR-CB/HR-CCB/HR-DB/HR-S/HR-CS/HR-CCS/HR-DS/HR-P/HR-CP/HR- CCP/MRR/MB/MBW
- Application : Conveyors, induced-draft fans, ball mills, crushers, slurry pumps, mixers, cranes, etc.
- Industries : thermal power plants, steel & iron works, cement, mining, chemistry, petroleum, port & wharf, docks, sugar, etc.



## Variable Speed Coupling



Oil flow in the working circuit changes during working, thus controls the output of speed and clutching.

- Range : Maximum power up to 11000KW
- Size & Type : Inner circulation diameter ranges from 370mm to 1320mm
- Model : SCR/PST/PSV
- Application : Conveyors, induced-draft fans, ball mills, crushers, centrifugal pumps, etc.
- Industries : Thermal power plants, steel & iron works, cement, mining, chemistry, petroleum, port & wharf, docks, sugar, etc

## Permanent Magnetic Coupling

Magnetic field generated by relative motion between the conductor and permanent magnetic part enables the torque transmission from motor to loaded equipment without mechanical connection.

- Range : Maximum power up to 1600KW
- Size & Type : From 320 to 850
- Model : MCB/LMC/LMCP/LMCK/LMC-SC/LMC-TC
- Application : Elevators, crushers, conveyor belts, bucket wheel machines, leather making machines, mixers, etc.
- Industries : thermal power plants, steel & iron works, cement, mining, chemistry, petroleum, sugar, etc.



# Product Introduction



## Grid Coupling

When in motion, grids are inserted in the teeth grooves of two hubs, which enables the connection between the input shaft and output shaft, hence the transmission of torque.

- Range : Maximum torque up to 580000Nm
- Size & Type : From 20s to 240s
- Model : SH/SV/SAS/SFS/SBW
- Application : Medium or big transmission systems of severe shock load, such as stone crushers, conveyor belts, reducers, ball mills of power plants, mining winches, automobiles, gas pumps and other heavy-lifting machineries with crank reciprocating mechanism.
- Industries : Thermal power plant, steel & iron works, metallurgy, mining, port & wharf, coal mining.



## Gear Coupling



Gear coupling is composed of inner toothed sleeve and outer toothed hubs which have the same quantity of teeth, and other components. When in motion, relative displacement occurs between two shafts, and the faces of inner & outer teeth move relatively in axial direction.

- Range : Maximum torque up to 6260000 Nm
- Size & Type : From 112 to 1600
- Model : SSM/GD/CCM/GDL/SEM/GS/CEM/GSL
- Application : Conveyor systems, paper-making machinery, fans, slurry pumps, cement mills, mixers, crushers, rolling transmission and auxiliary motion transmission.
- Industries : Steel & Iron works, heavy-lifting machines, mining, construction, automobile, petroleum, boats & ships, paper-making machinery and other heavy machinery.

## Disc Coupling

Relative displacement of two connected shafts is compensated by the elastic warping of discs, disc coupling is a kind of high-performance metallic flexible coupling.

- Range : Maximum torque up to 17800 Nm
- Size & Type : From 00 to 65
- Model : A3/Ax,A4/A5/A7/E4/G4/J-AB/J-AZ
- Application : Suitable for axial transmission in high temperature, high speed, environmentally corrosive working conditions, widely adopted in axial transmission of various mechanical equipment, such as pumps (especially of big power, pump for chemistry industry), fans, crushers and high-speed power transmission systems, etc.
- Industries : Steelworks, mining, construction, printing, automobiles, textiles, chemistry, petroleum, metallurgy, boats & ships, aviation, maritime vehicles, etc.



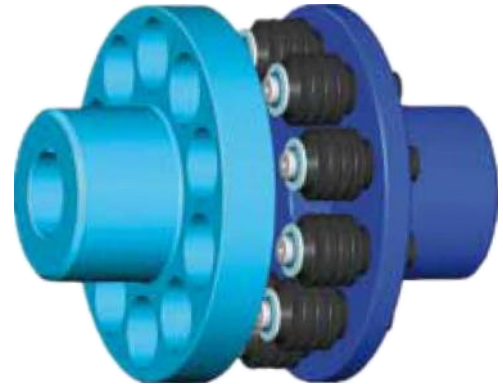
# Product Introduction



## Flexible Pin Type Coupling

Pins are made of flexible materials and placed in the holes on the edges of two hubs, which are connected by pins, hence the realization of torque transmission.

- Range : Maximum torque up to 2000000Nm
- Size & Type : From 4 to 10000
- Model : A/B/P/S1/S2/H
- Application : Reducers, transmissions, pumps, dyeing machines, windlasses, cranes, crushers, conveyors, textile machines, ball mills, etc.
- Industries : Steelworks, mining, construction, printing, docks, textiles, chemistry, petroleum, metallurgy, boats & ships, etc.



## Jaw Coupling



The elastomer between two metal hubs is made of polyurethane, which effectively absorbs shock load and vibration, and transmits torque.

- Range : Maximum torque up to 7750Nm
- Size & Type : From 050 to 90100
- Model : General
- Application : Conveyors, cranes, pumps, fans, CNC lathes, processing centers, carving machines, CNC milling machines.
- Industries : Metallurgy, mining, petroleum, chemistry, light industry, textiles, steelworks, power plants.

## Torque Limiter

Motion happens through friction of rolling balls, cylinders or friction plates. When overloading happens, output shaft is to stop rotating, and input shaft rotates without load, hence the overload protection is realized.

- Range : Maximum torque up to 8200Nm
- Size & Type : From 0 to 7
- Model : RB/RB-G/RD
- Application : Auto screw tightening machines, capping machines, switching machines, ship loaders, scrapping machines, straightening machines, etc.
- Industries : Steelworks, fans, coal machines, textile machines, packaging, etc.





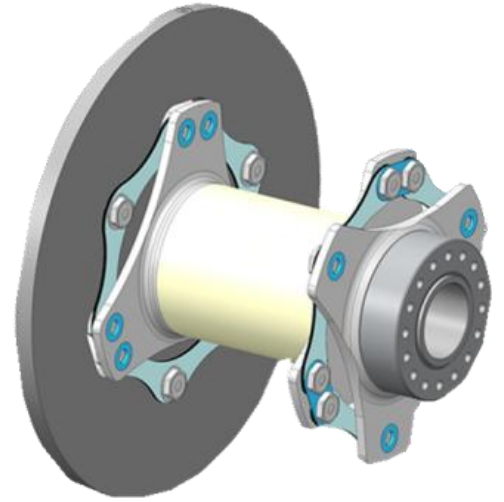
# Product Introduction



## Wind Turbine Coupling

Wind turbine coupling connects the high-speed shaft of gearbox and motor shaft, transmits torque, reduces system vibration and shock load, prevents overloading, compensates axial, radial and angular displacement, connects and separates shafts.

- Range : Maximum torque up to 57000Nm
- Size & Type : From 0.75MW to 5.5MW
- Model : KWP/KWPT
- Application : Wind power generating apparatus.
- Industries : Wind power generating



## Composite Coupling



The composite material adopted is only 20% the weight of steel material, so the length of the coupling shaft of composite material is 80% longer than that of steel, and no support bearings are required. This is a kind of coupling specially designed for cooling tower fans.

- Range : Maximum torque up to 4090Nm
- Size & Type : From CTKU-N to CTKU-N-229
- Model : General
- Application : Cooling towers.
- Industries : Metal casting, electricity, plastics, rubber, textiles, steel & iron works, chemistry, petrochemistry, food, pharmaceuticals, etc.

## Chain Coupling

Under two covers, the double-row roller chain engages two hubs with teeth, hence the torque is transmitted.

- Range : Maximum torque up to 186000Nm
- Size & Type : From CR 3810 to CR 24026
- Model : General
- Application : Conveyors, cranes, pumps, fans, CNC lathes, processing centers, carving machines, CNC milling machines.
- Industries : Metallurgy, mining, petroleum, chemistry, light industry, textiles, steelworks, power plants, etc.



# Product Introduction



## Drum Coupling

Wire drum coupling is specially designed for cranes and conveyors, also suitable for austere and complicated working conditions in Steel & Iron Industry and port winches which are continuously heavily loaded.

- Range : Maximum torque up to 685500Nm
- Size & Type : From D0.25 to D62
- Model : General
- Application : Cranes and conveyors.
- Industries : Ports, docks, steelworks, etc.



## Universal Joint



A power transfer unit used when the driving axle is relatively far from the driven axle, when the two axles are not in a line or when the driven object is variable. Power can be transferred even if two axles are not in line or when the angle of the driven object is changeable.

- Range : Maximum torque 1170kNm
- Size & Type : Flange diameter 58-550mm
- Model : UL/UT/UK/UH/UE/UC/UD/UP/UB
- Application : Ironmaking machines, Rolling mill plants, Calender drives, Paper machines, Special vehicles, Railway vehicles, Marine drives, Pump drives, General machinery construction plants
- Industries : Steel & Iron works, electricity, petroleum, chemistry, coal mining, metallurgy, water purification, construction materials, etc.

## Flex Coupling

Kudosworld Flex Coupling is designed to allow for quick and easy element replacement. Removal of hubs or the realignment of motors or drives is not required, which in turn reduces overall downtime. Advanced production methods and innovative material selection allows for a higher capacity at a more competitive price. Flex Coupling is non-lubricated and are designed from flexible urethane. The lack of need for lubrication decreases recurrent maintenance costs. The compact design of this coupling eliminates that need for coupling guard redesign for specific applications.

- Range : Maximum torque up to 15,028 Nm
- Size & Type : Shaft diameters up to 186mm
- Model : FA/FC/FB
- Application : Conveyors, cranes, pumps, fans, CNC lathes, processing centers, carving machines, CNC milling machines.
- Industries : Metallurgy, mining, petroleum, chemistry, light industry, textiles, steelworks, power plants.



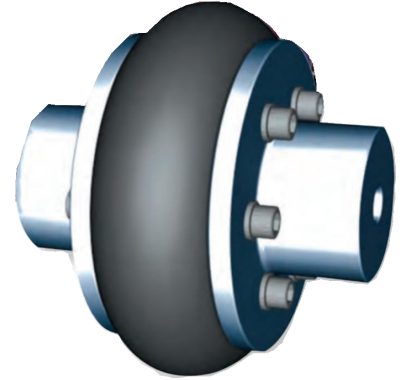
# Product Introduction



## Tire Coupling

The tire coupling using natural compounds makes couplings suitable for use in most conditions. Quickly and easily installed and configured without any special tools. No lubrication is required after installation, and components do not need to be removed during inspection. It can effectively reduce torsional vibration and absorb impact load.

- Range : Maximum torque up to 19613Nm
- Size & Type : From N100 to N700
- Model : General
- Application : Elevators, crushers, conveyor belts, bucket wheel machines, leather making machines, mixers, etc.
- Industries : thermal power plants, steel & iron works, cement, mining, chemistry, petroleum, sugar, etc.



## Variable-Frequency Drive



Topologically structured with units connected to multiple electrical levels in series, modularized design, small size, compact structure, smooth and reliable performance.

- Range : 160kW-20000kW (3-11kV) 0.75kW-630kW (380-690V)
- Size & Type : HVTDV-L series, HVTDV-F series, LVTDV
- Model : Medium voltage, low voltage
- Application : Fans, pumps, conveyor belts, mixers, elevators, etc.
- Industries : Steel & Iron works, electricity, petroleum, chemistry, coal mining, metallurgy, water purification, construction materials, etc.

## High-Voltage Motor

The main production of large and medium-sized high voltage three intersecting, DC and explosion-proof series of motor, 50,000kW unit below the generator. We have the manufacturing technology of Siemens from Germany and Westinghouse from America, together with the software of "motor Design" jointly developed by domestic colleges and universities, which can provide high quality and efficient motor products for users

- Range : Maximum power up to 50,000kW
- Model : Y2/Y(YKS/YKK/YFKK)/YR(YRKK/YRKS)/YTM/D/YD/YA/YL/TK/YDMK(TM)/T AQW/TF/QF etc.
- Application : Ventilators, compressors, crushers, cutting machine tools, drive blower, coal mill, rolling mill, winch etc.
- Industries : power station, metallurgy, petroleum, chemical, mining, coal, building materials, water conservancy, rubber and other industries, mainly for large-scale pumps, fans, compressors, coal mills, rolling mills etc.

